

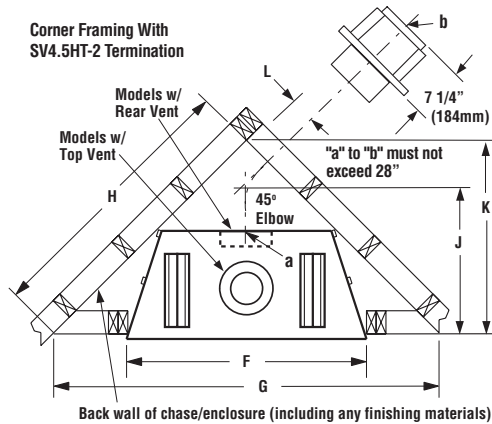
SDV35-N

Appliance Specifications - OLD

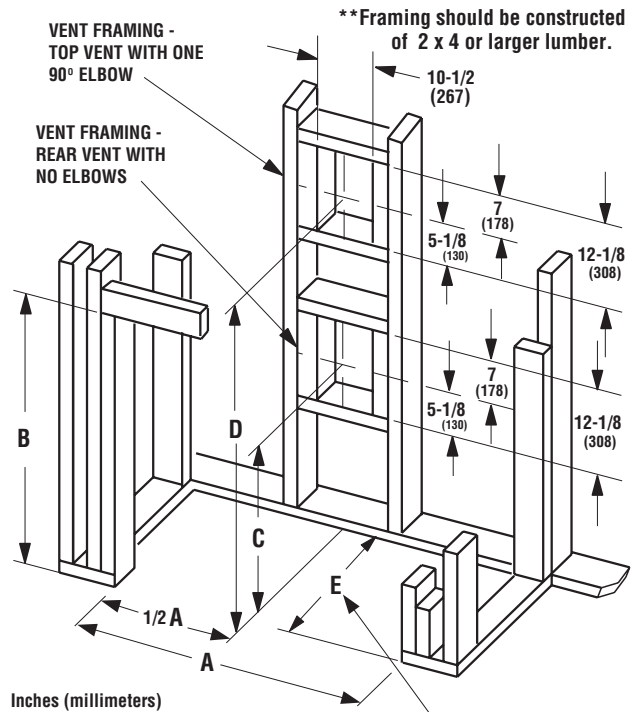
SDV35-N Fireplace Dimensions - Inches (millimeters)					
A	B	C	D	E	
41-1/4 (1048)	37-1/2 (953)	23-3/4 (603)	42-5/32 (1071)	16" (406)	
F	G	H	J	K	L
41-1/4 (1048)	57-1/2 (1461)	40-5/8 (1032)	19-3/16 (487)	28-3/4 (730)	6-1/8 (156)

Appliance Specifications - NEW

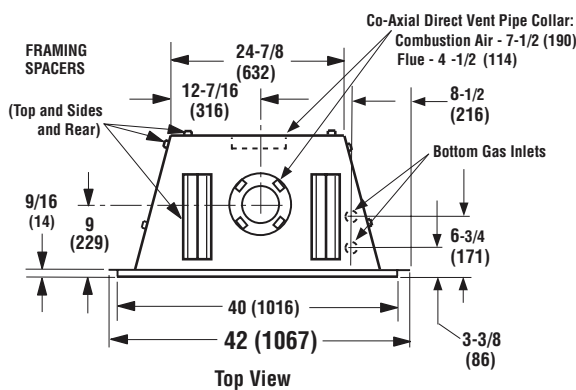
SDV35-N Fireplace Dimensions - Inches (millimeters)					
A	B	C	D	E	
42-1/4 (1073)	37-1/2 (953)	23-3/4 (603)	42-5/32 (1071)	16" (406)	
F	G	H	J	K	L
42-1/4 (1073)	57-1/2 (1461)	40-5/8 (1032)	19-3/16 (487)	28-3/4 (730)	6-1/8 (156)



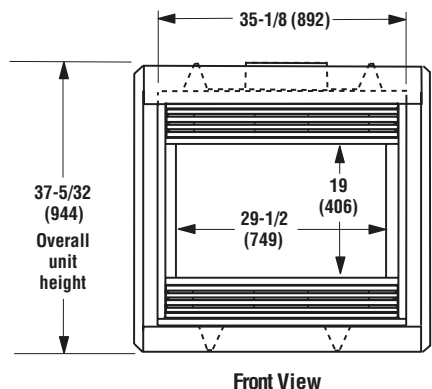
**Framing With Square Horizontal Termination SV4.5HT-2



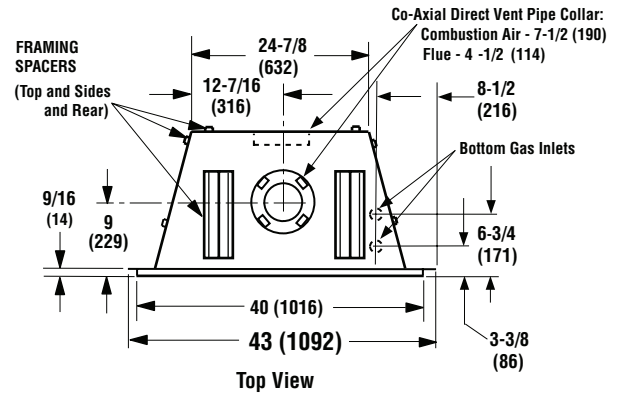
E is the required framing depth dimension when the finish material (drywall) thickness is 1/2 in. (13mm).



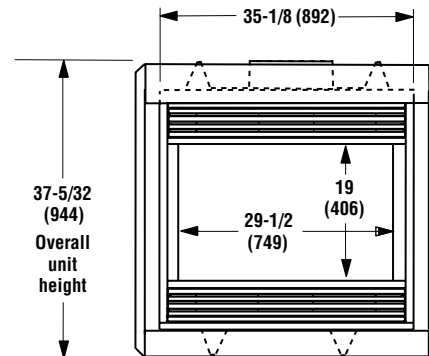
Top View



Front View



Top View



Inches (Millimeters)

Front View

OLD

NEW