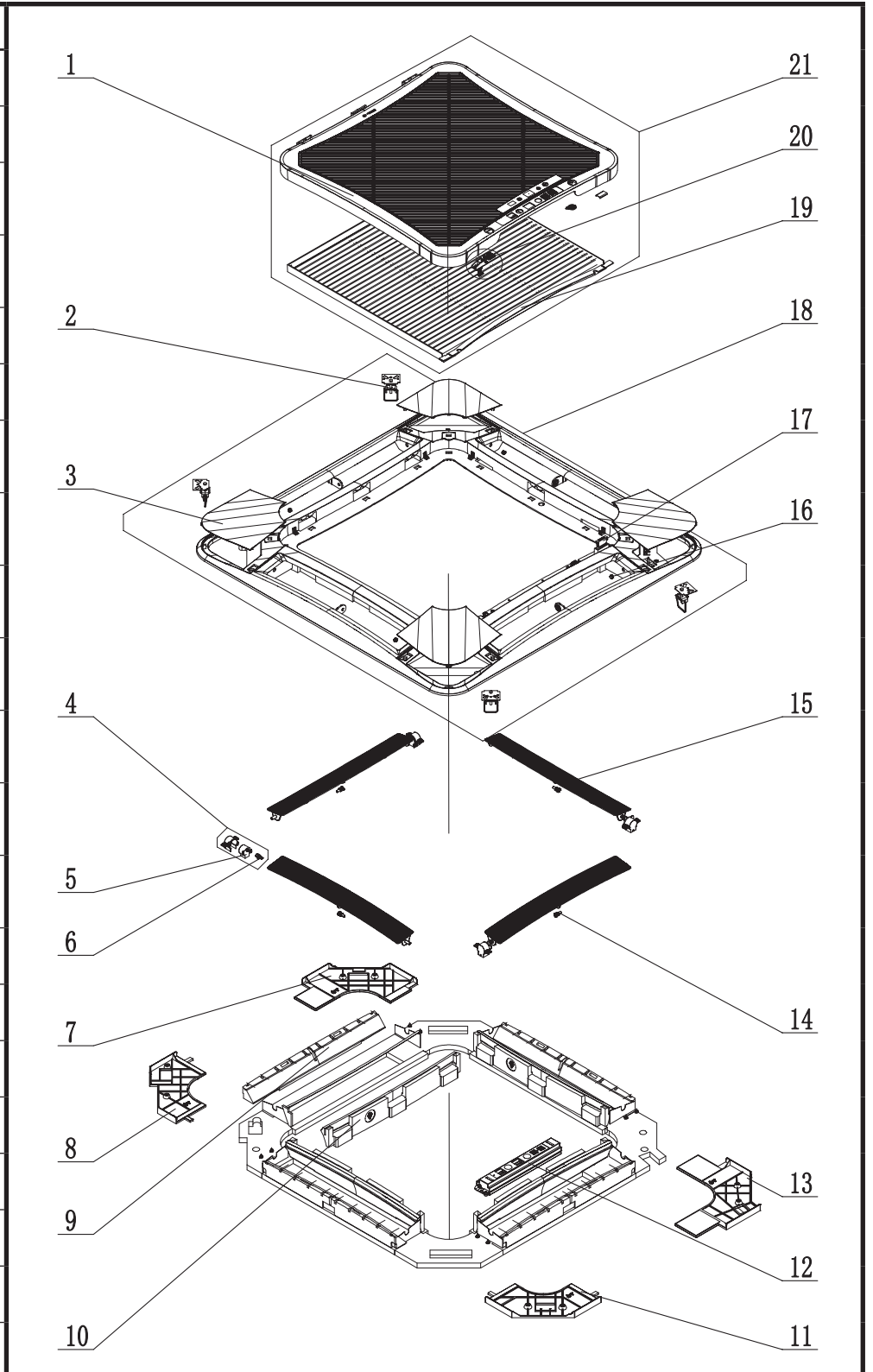


REPLACEMENT PARTS LIST

**FLEX MATCH SYSTEM
FACE FRAME PANEL**

TC04

ITEM #	COMPONENT
1	FRONT GRILL
2	HANGING RING
3	OUTER CONNER COVER SUB-ASSY
4	LOUVER MOTOR SUB-ASSY
5	STEP MOTOR
6	CRANK
7	INNER CONNER COVER IV SUB-ASSY
8	INNER CONNER COVER III SUB-ASSY
9	FOAM (AIR OUTLET FOAM 1)
10	FOAM (AIR OUTLET FOAM 2)
11	INNER CONNER COVER II SUB-ASSY
12	RECEIVER BOARD (DISPLAY BOARD)
13	INNER CONNER COVER I SUB-ASSY
14	AXILE BUSH
15	GUIDE LOUVER
16	LEFT AXILE BUSH
17	MAGNET SUB-ASSY
18	FRONT PANEL ASSY
19	FILTER SUB-ASSY
20	CLAMP SUB-ASSY
21	FRONT GRILL ASSY



TC04

	PART DESCRIPTION	PART CODE	NORTEK PART NUMBER
1	Front Grill	26909466	1046494
2	Hanging Ring	70810101	1044964
3	Outer Conner Cover Sub-Assy	01269410	1046493
4	Louver Motor Sub-Assy	15409407	1008043
5	Step Motor	15729401	1044455
6	Crank	10582070	1046492
7	Inner Conner Cover IV Sub-Assy	01269411	1046491
8	Inner Conner Cover III Sub-Assy	01269412	1046490
9	Foam (Air Outlet Foam 1)	52069409	1046489
10	Foam (Air Outlet Foam 2)	52069410	1046488
11	Inner Conner Cover II Sub-Assy	01269413	1046487
12	Receiver Board (Display Board)	30261016	1008059
13	Inner Conner Cover I Sub-Assy	01269414	1046486
14	Axile Bush	10542036	1025086
15	Guide Louver	10619406	1046485
16	Left Axile Bush	10512037	1028872
17	Magnet Sub-Assy	70842705	1046484
18	Front Panel Assy	01549401	1046483
19	Filter Sub-Assy	11729405	1014147
20	Clamp Sub-Assy	000101000001	1046482
21	Front Grill Assy	01579400004	1046481

