

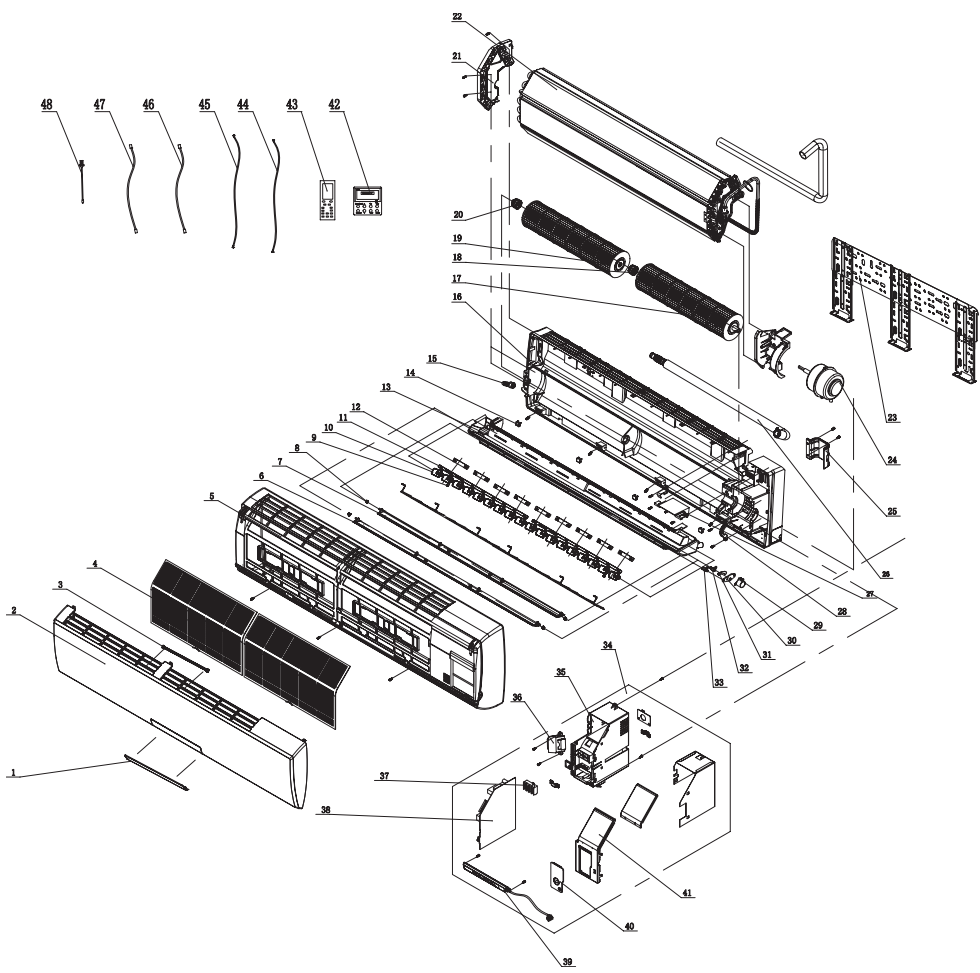


Universal HVAC Parts & Accessories

REPLACEMENT PARTS LIST

DUCTFREE MINI-SPLIT SYSTEM
SINGLE-ZONE HEAT PUMP MODEL
GHH36(10.6)LSK4DH

ITEM #	COMPONENT
1	RECEIVER WINDOW
2	FRONT PANEL
3	STAND BAR
4	FILTER SUB-ASSY
5	FRONT CASE SUB-ASSY
6	UPPER GUIDE LOUVER
7	LOWER GUIDE LOUVER
8	AXILE BUSH
9	AIR LOUVER 2
10	AIR LOUVER 1
11	CONNECTING ROD
12	LOUVER CLAMP
13	WATER TRAY
14	SCREW COVER
15	RUBBER PLUG (WATER TRAY)
16	REAR CASE SUB-ASSY
17	CROSS FLOW FAN 1
18	BEARING HOLDER SUB-ASSY
19	CROSS FLOW FAN 2
20	O-GASKET SUB-ASSY OF BEARING
21	LEFT EVAPORATOR SUPPORT
22	EVAPORATOR ASSY
23	WALL MOUNTING FRAME
24	FAN MOTOR
25	PIPE CLAMP
26	DRAINAGE HOSE
27	COVER PLATE
28	MOTOR FIXED CLIP
29	STEP MOTOR
30	PRESS PLATE(CRANK)
31	CRANK-GUIDE
32	UPPER CRANK
33	LOWER CRANK
34	ELECTRIC BOX ASSY
35	ELECTRIC BOX
36	TRANSFORMER
37	TERMINAL BOARD
38	MAIN BOARD
39	DISPLAY BOARD
40	ELECTRIC BOX COVER
41	ELECTRIC BOX COVER
42	DISPLAY BOARD
43	REMOTE CONTROLLER
44	CONNECTING CABLE
45	POWER CORD
46	SIGNAL WIRE
47	TUBE SENSOR
48	AMBIENT TEMPERATURE SENSOR



GHH36(10.6)LSK4DH

	PART DESCRIPTION	PART CODE	NORTEK PART NUMBER
1	Receiver Window	—	—
2	Front Panel	20000300022	1025097
3	Stand Bar	2421212001	1025109
4	Filter Sub-Assy	1112210602	1003140
5	Front Case Sub-Assy	209007060094	1045165
6	Upper Guide Louver	1051216602	1045164
7	Lower Guide Louver	1051216702	1045163
8	Axile Bush	10542704	1028750
9	Air Louver 2	1051216902	1017023
10	Air Louver 1	1051216802	1017022
11	Connecting Rod	10582086	1028797
12	Louver Clamp	26112158	1032385
13	Water Tray (Drain Pan)	2018213802	1032374
14	Screw Cover	242520054	1045162
15	Rubber Plug (Water Tray)	76712012	1025142
16	Rear Case Assy	000001060278	1045161
17	Cross Flow Fan 1 (Blower Wheel)	10352039	1025063
18	Bearing Holder Sub-Assy	26152028	1025064
19	Cross Flow Fan 2 (Blower Wheel)	10352040	1025065
20	O-Gasket Sub-Assy of Bearing	76512051	1032449
21	Left Evaporator Support	24212041	1028873
22	Evaporator Assy	01002000027	1025062
23	Wall Mounting Frame	01252398	1025067
24	Blower Motor	1501213401	1014013
25	Pipe Clamp	26112071	1032377
26	Drainage Hose	0523001404	1025068
27	Cover Plate	2012212401	1045160
28	Motor Fixed Clip 2	26112325	1045159
29	Stepping Motor (Louver Motor)	1521210701	1014021
30	Press Plate(Crank)	26112070	1032379
31	Crank-Guide	10582041	1028803

GHH36(10.6)LSK4DH

	PART DESCRIPTION	PART CODE	NORTEK PART NUMBER
32	Upper Crank	10562004	1032380
33	Lower Crank	10562005	1032387
34	Electric Box Assy	100002064434	1041720
35	Electric Box	2010225006	1041721
36	Transformer	—	—
37	Terminal Block	422000060135	1045158
38	Main Board	30138001017	1028688
39	Display Board	30565277	1008335
40	Electric Box Cover	201022523	1028836
41	Electric Box Cover	2011204404S	1028837
42	Wired Controller	MC20700970	1009614
43	Remote Controller	30510475_X10408	1013845
44	Connecting Cable	—	—
45	Power Cord	—	—
46	Signal Wire	4001024507	1041723
47	Coil Temperature Sensor	390000592	1014001
48	Ambient Temperature Sensor	390000453	1008342

