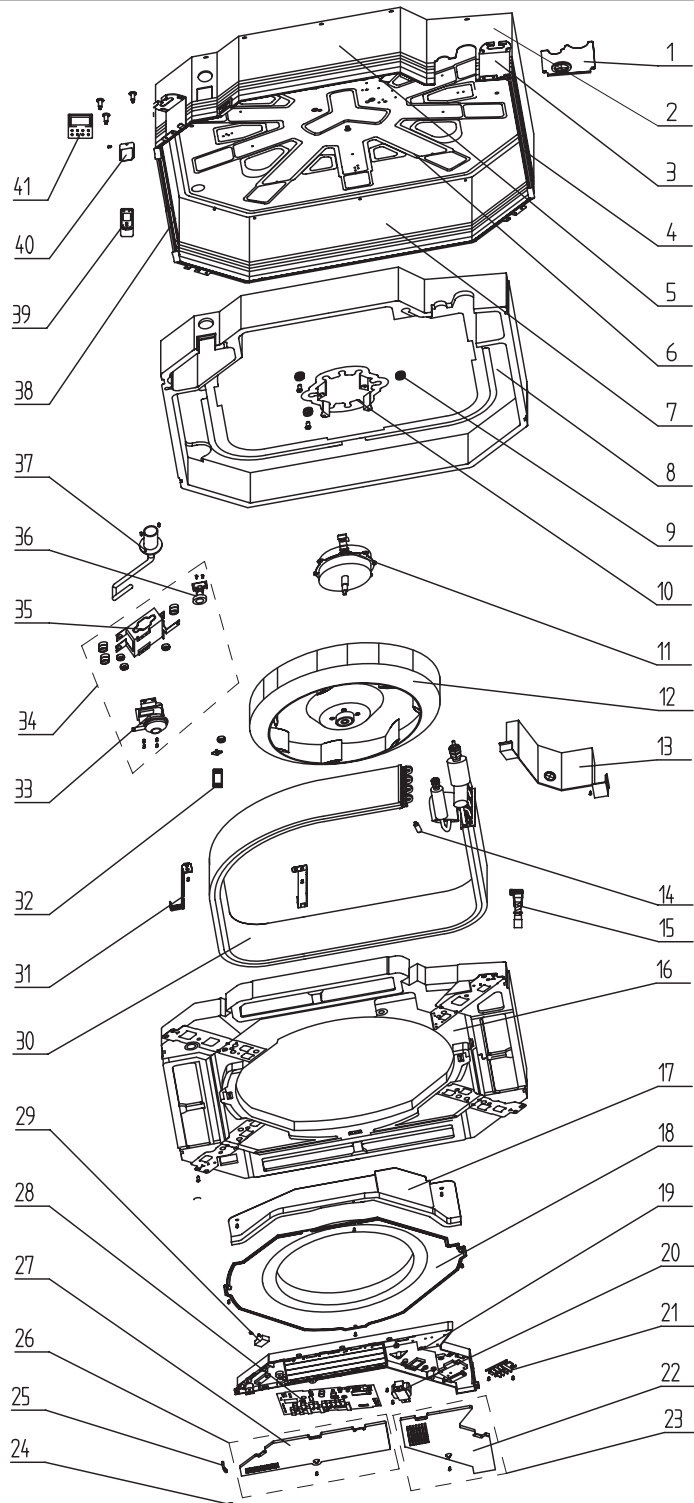


REPLACEMENT PARTS LIST

FLEX MATCH SYSTEM
CASSETTE TYPE INDOOR UNIT
GKH24(7.0)FMK4DH

ITEM #	COMPONENT
1	TUBE EXIT PLATE ASSY
2	SHELL ASSY
3	BODY INSTALLING PLATE
4	FRONT SIDE PLATE ASSY
5	LEFT SIDE PLATE ASSY
6	BASE PLATE ASSY
7	REAR SIDE PLATE ASSY
8	BOTTOM FOAM ASSY
9	MOTOR GASKET
10	MOTOR SUPPORT
11	FAN MOTOR
12	CENTRIFUGAL FAN
13	CONNECTED BOARD ASSY OF EVAPORATOR
14	FILTER SUB-ASSY
15	DRAIN HOSE SUB-ASSY
16	WATER TRAY ASSY
17	ELECTRIC BASE PLATE
18	DIVERSION CIRCLE
19	ELECTRIC BOX ASSY
20	TRANSFORMER
21	TERMINAL BOARD
22	ELECTRIC BOX COVER
23	ELECTRIC BOX COVER SUB-ASSY1
24	TEMPERATURE SENSOR
25	AMBIENT TEMPERATURE SENSOR
26	ELECTRIC BOX COVER SUB-ASSY2
27	ELECTRIC BOX COVER
28	MAIN BOARD
29	CAPACITOR CBB61
30	EVAPORATOR ASSY
31	EVAPORATOR SUPPORT ASSY
32	MAGNETIC RING
33	WATER PUMP
34	WATER PUMP ASSY
35	PUMP SUPPORT
36	WATER LEVEL SWITCH
37	PUMP DRAINPIPE
38	RIGHT SIDE PLATE ASSY
39	REMOTE CONTROLLER
40	PUMP COVER BOARD ASSY
41	DISPLAY BOARD



GKH24(7.0)FMK4DH

	PART DESCRIPTION	PART CODE	NORTEK PART NUMBER
1	Tube Exit Plate Assy	0138271503	1044839
2	Shell Assy	01432704	1044838
3	Body Installing Plate	01332701	1044311
4	Front Side Plate Assy	01302718	1044837
5	Left Side Plate Assy	01302715	1044310
6	Base Plate Assy	01222701	1044306
7	Rear Side Plate Assy	01302714	1044302
8	Bottom Foam Assy	52012722	1044836
9	Motor Gasket	76712711	1044835
10	Motor Support	01702701	1044834
11	Fan Motor (Blower Motor)	15704102	1008309
12	Centrifugal Fan (Blower Wheel)	10312705	1044317
13	Connected Board Assy of Evaporator	01074042	1044313
14	Filter Sub-Assy	07210028	1028699
15	Drain Hose Sub-Assy	05232702	1044833
16	Water Tray Assy	20182701	1044832
17	Electric Base Plate	01412721	1044831
18	Diversion Circle	10372701	1041726
19	Electric Box Assy	01399400006	1044830
20	Transformer	4311023303	1025130
21	Terminal Block	42010196	1044829
22	Electric Box Cover	2010270201	1044828
23	Electric Box Cover Sub-Assy1	20122054	1044827
24	Temperature Sensor	390001982G	1008315
25	Ambient Temperature Sensor	390001977	1008313
26	Electric Box Cover Sub-Assy2	20122055	1044826
27	Cover of Electric Box II	2010270301	1044825
28	Main Board	30226340	1008311
29	Capacitor CBB61S	3301074704	1044824
30	Evaporator Assy	01029400012	1044823
31	Evaporator Support Assy	01072703	1044315
32	Magnetic Ring	NONE	
33	Water Pump	43130324	1008082
34	Water Pump Assy	01332752	1008223
35	Pump Support	01329416	1044822
36	Water Level Switch	45020216	1041733
37	Pump Drainpipe	05230026	1044304
38	Right Side Plate Assy	01302716	1044303
39	Remote Controller	305100491	1007703
40	Pump Cover Board Assy	01252713	1044305
41	Display Board (Wired Controller)	300001060284	1028712
	Wireless Remote WLRC3	305100491-L46037	1007703
	Face Frame Panel TB04 (Grille) (Not Shown)	TB04	1013788

