



Universal HVAC Parts & Accessories

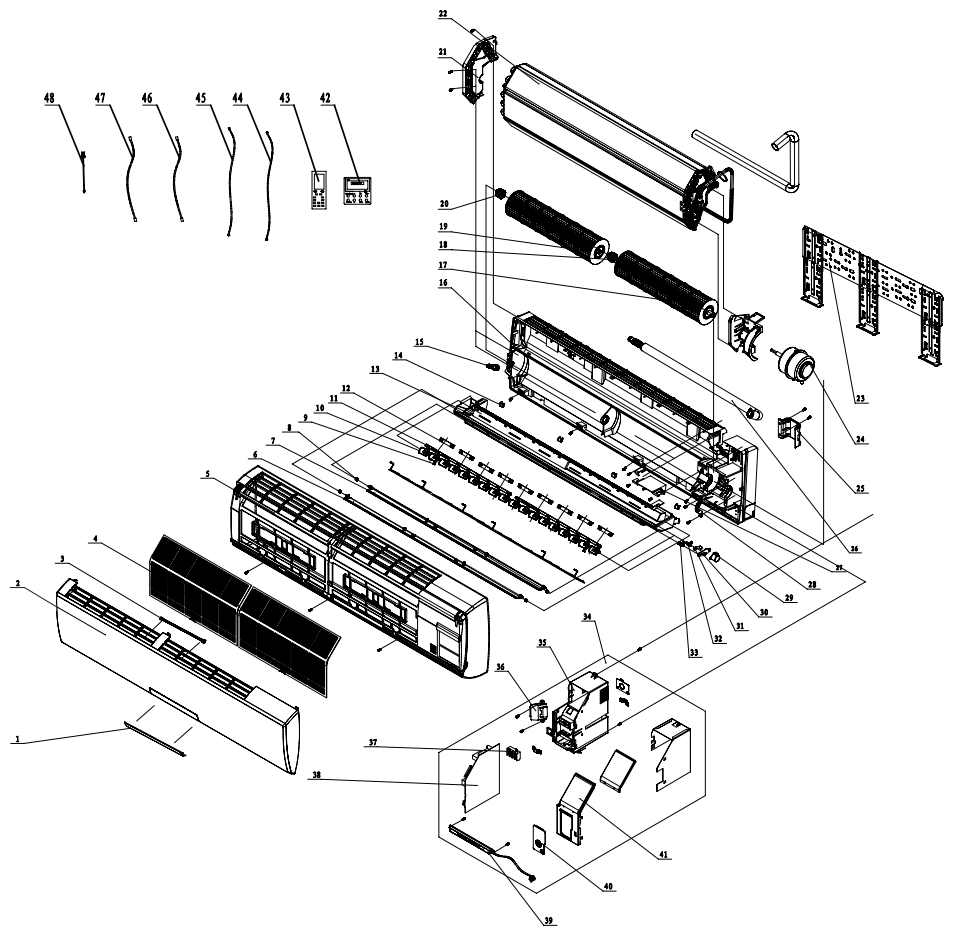
REPLACEMENT PARTS LIST

DUCTFREE MINI-SPLIT SYSTEM

UNIVERSAL HEAT PUMP MODEL

GHH30(8.8)LUK4DH

ITEM #	COMPONENT
1	RECEIVER WINDOW
2	FRONT PANEL
3	STAND BAR
4	FILTER SUB-ASSY
5	FRONT CASE SUB-ASSY
6	UPPER GUIDE LOUVER
7	LOWER GUIDE LOUVER
8	AXILE BUSH
9	AIR LOUVER 2
10	AIR LOUVER 1
11	CONNECTING ROD
12	LOUVER CLAMP
14	SCREW COVER
15	RUBBER PLUG (WATER TRAY)
16	REAR CASE ASSY
17	CROSS FLOW FAN 1
18	BEARING HOLDER SUB-ASSY
19	CROSS FLOW FAN 2
20	O-GASKET SUB-ASSY OF BEARING
21	LEFT EVAPORATOR SUPPORT
22	EVAPORATOR ASSY
23	WALL MOUNTING FRAME
24	BLOWER MOTOR
25	PIPE CLAMP
26	DRAINAGE HOSE
27	COVER PLATE
28	MOTOR FIXED CLIP 1
29	STEPPINGMOTOR
30	PRESS PLATE(CRANK)
31	CRANK-GUIDE
32	UPPER CRANK
33	LOWER CRANK
34	ELECTRIC BOX ASSY
35	ELECTRIC BOX
37	TERMINAL BOARD
38	MAIN BOARD
39	DISPLAY BOARD
40	ELECTRIC BOX COVER
41	ELECTRIC BOX COVER
42	DISPLAY BOARD
43	REMOTE CONTROLLER
46	SIGNAL WIRE
47	TEMPERATURE SENSOR
48	TEMPERATURE SENSOR



GHH30(8.8)LUK4DH

	PART DESCRIPTION	PART CODE	NORTEK PART NUMBER
1	Receiver Window	22430024	1032368
2	Front Panel	20000300022S	1025097
3	Stand Bar	2421212001	1025109
4	Filter Sub-Assy (Filters)	11122106	1028711
5	Front Case Sub-Assy	20900700005	1028854
6	Upper Guide Louver	1051216601	1032370
7	Lower Guide Louver	1051216701	1032371
8	Axile Bush	10542704	1028750
9	Air Louver 2	1051216902	1017023
10	Air Louver 1	1051216802	1017022
11	Connecting Rod	10582086	1028797
12	Louver Clamp	26112158	1032385
14	Screw Cover	2425200506	1032375
15	Rubber Plug (Water Tray)	76712012	1025142
16	Rear Case Assy	00000100113	1032376
17	Cross Flow Fan (Blower Wheel) 1	10352039	1025063
18	Bearing Holder Sub-Assy	26152028	1025064
19	Cross Flow Fan (Blower Wheel) 2	10352040	1025065
20	O-Gasket Sub-Assy Of Bearing	76512051	1025066
21	Left Evaporator Support	24212041	1028873
22	Evaporator Coil Assy	01002000027	1025062
23	Wall Mounting Frame	01252398	1025067
24	Blower Motor	1501213401	1014013
25	Pipe Clamp	26112071	1032377
26	Drainage Hose	0523001404	1025068
27	Cover Plate	2012212402	1028801
28	Motor Fixed Clip 1	26112324	1032378
29	Stepping Motor (Louver Motor)	1521210701	1014021
30	Press Plate(Crank)	26112070	1032379
31	Crank-Guide	10582041	1028803
32	Upper Crank	10562004	1032380
33	Lower Crank	10562005	1032387
34	Electric Box Assy	10000202639	1028830
35	Electric Box	201022502	1028818
37	Terminal Block	42011233	1025146
38	Main Board	30138000192	1014004
39	Display Board	30565277	1008335
40	Electric Box Cover	201022523	1028836
41	Electric Box Cover	2011204404S	1028837
42	Wired Controller	MC20700970	1009614
43	Remote Controller	30510475	1013845
46	Signal Wire	4001024503	1032388
47	Coil Temperature Sensor	390000592	1004001
48	Ambient Temperature Sensor	390000453	1008342
	Remote Control Holder, YAN1F (Not Shown)	26150009	1014068

