

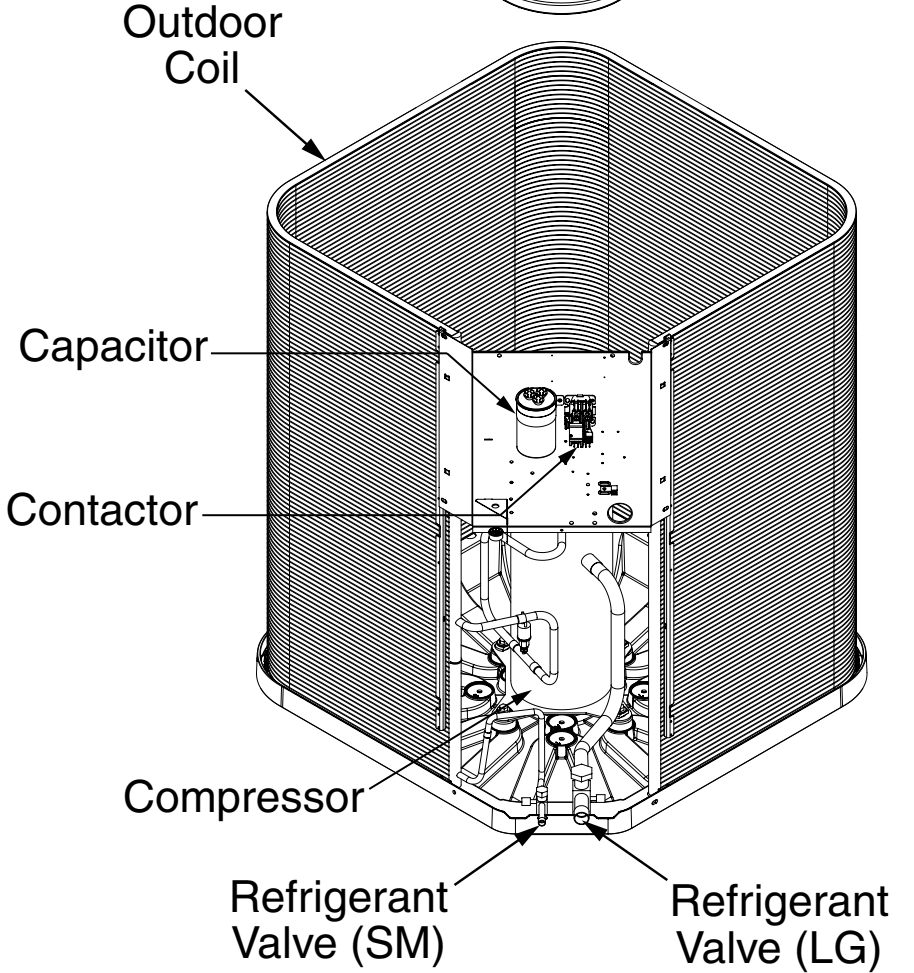
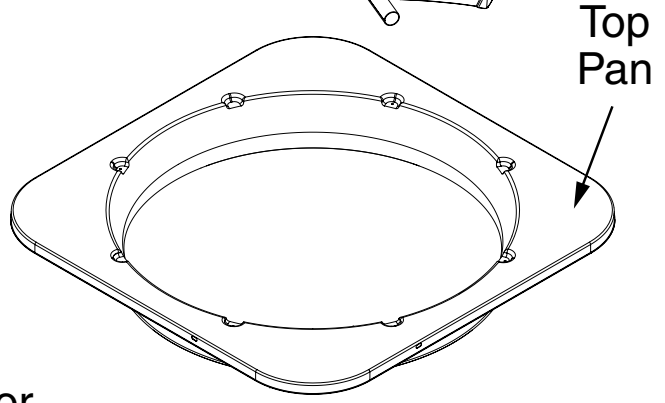
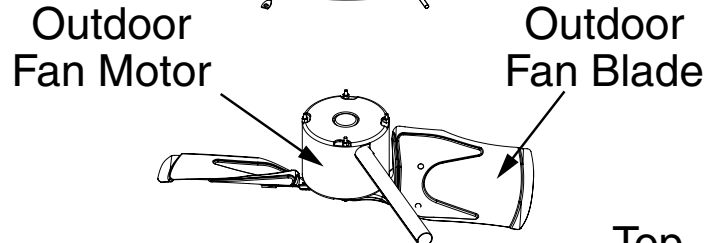
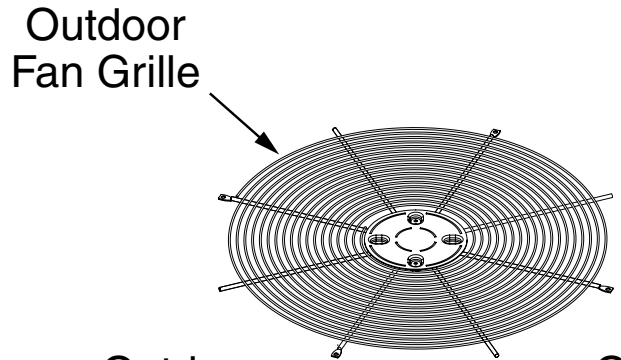
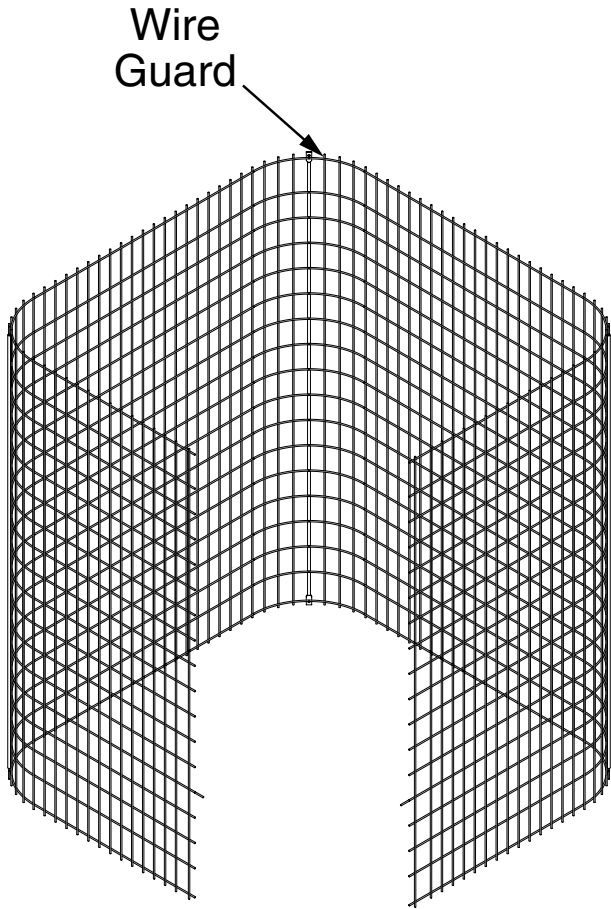
REPLACEMENT PARTS LIST

SPLIT SYSTEM AIR CONDITIONER FOR MANUFACTURED HOUSING

GSA2BD4M1(R,S)N SERIES

13 SEER MODELS





GSA2BD4M1(R,S)N SPLIT SYSTEM AIR CONDITIONER FOR MANUFACTURED HOUSING

DESCRIPTION	GSA2BD4M1RN24KA	GSA2BD4M1SN24KA	GSA2BD4M1RN30KA	GSA2BD4M1RN36KA	GSA2BD4M1SN42K	GSA2BD4M1SN48K
	1021719G (Produced before 2/9/2022)	1021686GA (Produced on or after 2/9/2022)	1021720G	1021721G	1021689G	1021690G
CAPACITOR	01-0095	01-0084	01-0097	01-0292	01-0273	01-0278
COMPRESSOR	622706R	1033149R	622707R	1021586R	1017098R	921466
COMPRESSOR MOLDED PLUG	634797R	634660R	634797R	634797R	634660R	634660R
CONTACTOR	1014863R	1014863R	1014863R	1014863R	1014863R	1014865R
FILTER DRIER	669764R	669764R	669764R	669764R	669764R	669764R
HAIL GUARD (FLEXIBLE MESH)	669227R	669226R	669227R	669231R	669228R	669228R
HIGH PRESSURE SWITCH	632473R	632473R	632473R	632473R	632473R	632473R
OUTDOOR COIL	1009900R	1009902R	1009900R	1009901R	1009903R	1009903R
OUTDOOR FAN BLADE	667261R	1025340R	667261R	667396R	1024013R	1024013R
OUTDOOR FAN GRILLE	669334R	1034993R	669334R	669334R	669335R	669335R
OUTDOOR FAN MOTOR	621919	621919	621919	621917	622066	622066
PTCR	632691R	—	632691R	632691R	—	—
REFRIGERANT VALVE (LG)	663864R	663864R	663864R	663864R	663865R	663865R
REFRIGERANT VALVE (SM)	663862R	663862R	663862R	663862R	663862R	663862R
TOP PAN	496161YR	496161YR	496161YR	496161YR	—	—
WIRE GUARD	102399402R	102399401R	102399402R	102399404R	102399501R	102399501R

Please specify the correct Model No., Serial No., and part number(s) when ordering parts from the nearest authorized dealer or service center.

