

Innovation,
dependability and
total comfort



AIR CONDITIONER/
HEAT PUMP SYSTEMS WITH
iQ DRIVE[®] TECHNOLOGY
UP TO 25.5 SEER



iQ
Drive

BROAN® AIR CONDITIONER/HEAT PUMP SYSTEMS

WITH iQ DRIVE® TECHNOLOGY UP TO 25.5 SEER

The Broan iQ Drive Complete-Comfort System is quite simply one of the smartest comfort systems available. It not only controls temperature, but also achieves consistent levels of humidity, air quality and ventilation. And all at incredibly low sound levels.



THE BROAN iQ DRIVE COMPLETE-COMFORT SYSTEM DELIVERS TOTAL INDOOR AIR QUALITY

The Broan iQ Drive Complete-Comfort System circulates air throughout your home by mixing air from floor to ceiling. Its variable-speed technology creates more uniform temperatures, improved air filtration and reduced humidity levels. On our up to 22 SEER heat pump and up to 25.5 SEER air conditioner*, the iQ Drive system will control humidity in your home better than a traditional single-stage air conditioner. You can even set a target dehumidification level. Just know that the iQ Drive system is not a true dehumidifier, and in areas where precise control is needed, you should add a whole-home dehumidifier. Ask your Broan contractor for details.



If you have allergies and need to remove dust, smoke or other airborne particles, ask your contractor about whole-home indoor air quality products designed to work with the iQ Drive Comfort System.

* Optional on 20 SEER iQ Drive air conditioner and up to 19 SEER iQ Drive heat pump models.





INNOVATIVE, RELIABLE COMFORT

The Broan iQ Drive system utilizes inverter rotary technology to achieve ultra-high efficiency levels. The inverter board is the brain of the system, while the rotary compressor is its heart. By communicating together, they can condition the air perfectly at all times while using the least amount of energy.



CONSUMERS DIGEST BEST BUY AWARD

The up to 25.5 SEER iQ Drive air conditioner and up to 22 SEER iQ Drive heat pump* received a prestigious *Consumers Digest* BEST BUY award for premium air conditioners and heat pumps.

The Best Buy Seal and other licensed materials are registered certification marks and trademarks of Consumers Digest Communications, LLC, used under license. For award information, visit ConsumersDigest.com.

	Patented Controller	Dehumidification Mode	Sound Ratings	Modulation Capacity	ecoLogic® Seal	HSPF
Up to 25.5 SEER Air Conditioner	Yes	Yes	59-72 dBA	40%-118% of capacity	ecoLogic®	N/A
Up to 22 SEER Heat Pump	Yes	Yes	59-72 dBA	40%-118% of capacity	ecoLogic®	up to 10.0
20 SEER Air Conditioner	Optional	Optional	59-73 dBA	49%-118% of capacity	ecoLogic®	N/A
Up to 19 SEER Heat Pump	Optional	Optional	59-73 dBA	49%-118% of capacity	ecoLogic®	up to 10.0

* Optional on up to 20 SEER iQ Drive air conditioner and up to 19 SEER iQ Drive heat pump models.



BROAN® iQ DRIVE SYSTEM

FOR ULTIMATE HOME COMFORT

Seasonal Energy Efficiency Ratio (SEER) is the unit by which all air conditioning and heat pump energy efficiency is measured. In the world of cooling, the higher the SEER, the better the efficiency and the lower your power bills. While most homes built in the last 10 years have 8 to 10 SEER air conditioners, Broan has achieved up to 25.5 SEER, one of the highest efficiency levels in air conditioning, and up to 22 SEER, one of the highest cooling efficiency levels for an air-source heat pump. Just a few of the many benefits include:

- Lower energy bills
- Better dehumidification
- Reduced hot and cold spots
- The lowest sound levels

SO SMART, iQ DELIVERS THE HIGHEST ENERGY EFFICIENCY

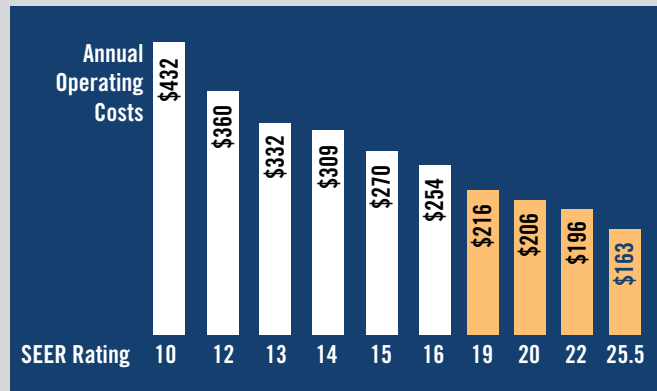
The Broan iQ Drive System utilizes inverter rotary technology to achieve ultra-high efficiency levels.

The indoor section includes the iQ Drive gas furnace/coil components or an air handler. The efficiency of a gas furnace is measured in AFUE (Annual Fuel Utilization Efficiency). The higher the rating, the more efficient the product. This section is available in 80% AFUE through 97+% AFUE efficiencies. Your Broan contractor can recommend the efficiency level based on your needs.

Traditional compressors just turn on and off, operating at 60 hertz when running. But iQ Drive inverter technology has almost infinite modulation for a perfectly even variance. And it runs as low as 15 hertz,

so it uses less power.

Compressor Type	
Scroll	60 Hz
Rotary	AS LOW AS 15 Hz



Annual costs based on 36,000 Btu unit, 1,500 cooling load hours and .08/kwh. Actual costs may vary depending on climate conditions, energy rates and patterns of usage.

So while traditional compressors kick on at full speed to compensate for a small change in temperature, iQ Drive inverter technology alters the compressor speed just enough to match the slightest change in air temperature. In addition to minimal power utilization, you get a more consistent temperature level – and fewer hot and cold spots – at all times.



SO QUIET, YOU MAY FORGET YOU HAVE IT

Thanks to its impressive efficiency, the Broan iQ Drive® Comfort System delivers some of the lowest sound levels in the industry. Today's traditional compressors operate at 3,600 rpm power. So even with full insulation, sound blanket, sound-absorbing base, lubricated motor and swept fan blade, they make enough noise to be heard inside the home.

By comparison, the Broan iQ Drive rotary compressor can ramp down to 900 rpm for ultra-low power operation and an ultra-low noise level. That makes for a quieter home, especially at night.

Compressor Type

Scroll 3,600 rpm

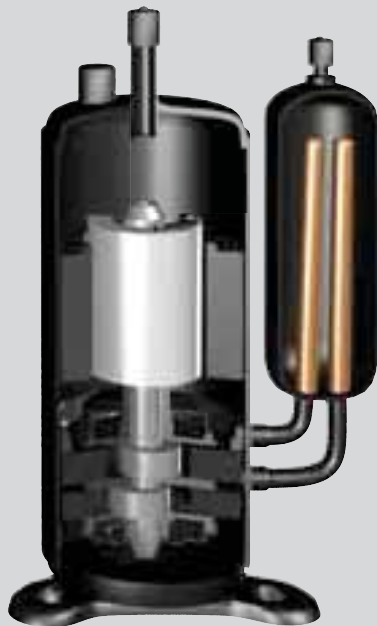
Rotary AS LOW AS 900 rpm

MAKING YOUR iQ DRIVE SYSTEM COMPLETE

The Broan iQ Drive System is designed to work with other accessories. Ask your contractor about whole-home humidifiers, air cleaners, HEPA systems and more. If allergens, dust, mold, pet odor, dry air, temperature control or other irritants are a problem for you or your family members, ask us how we can design a Broan system to reduce common irritants and increase comfort throughout the home.

HEAT PUMP OR AIR CONDITIONER?

The iQ Drive air conditioner is an excellent choice for geographies where maximum cooling efficiency is needed. In areas where heating efficiency is also desired, consider one of the iQ Drive heat pumps. They operate in the summer the same as an air conditioner, but also provide heat in the winter. And with an HSPF (Heating Season Performance Factor) up to 10.0, they're incredibly efficient no matter what the weather.



BROAN IS INNOVATION IN AIR

FOR TOTAL HOME COMFORT

- Broan delivers more than just better indoor comfort. You should also feel comfortable about investing in a product that will perform when you need it most. Each Broan air conditioner is quality-checked approximately 144 times during the manufacturing process, then run-tested to check operation performance. In the final analysis, computer-automated testing is performed to capture operation data for future reference should your contractor ever need it.
- The Broan iQ Drive® System is built with proven components to provide safe, clean and reliable comfort year-round.
- The iQ Drive System exceeds the ENERGY STAR® guidelines for efficiency performance. The bottom line to you is savings in your utility costs.



UNSURPASSED IN WARRANTY PROTECTION

When a complete heating and cooling system is truly built to exacting standards of quality and durability, the manufacturer's confidence shows in its warranty. The Broan iQ Drive System is dependable for the long haul, which is why it offers a 10-year limited warranty on all parts when product is registered.

BROAN QUALITY PLEDGE

Every Broan iQ Drive Comfort System features our Quality Pledge: In the first 10 years, if the compressor fails in our iQ Drive System, we will replace the entire unit with an equivalent Broan replacement, registration required. Ask your Broan contractor or visit us at www.broanhvac.net for warranty details.

PROTECTIVE DURABILITY

A louvered metal jacket protects the coil from damage by weather and flying debris. These models feature precoated steel cabinets and doors for superior quality and durability.

ENERGY STAR certification is awarded to products designed to reduce energy consumption and utility costs. To qualify, air conditioners and heat pumps must have a Seasonal Energy Efficiency Ratio (SEER) rating of 14.5 or higher and a Energy Efficiency Rating (EER) of 12.0 or higher. Heat pumps are also rated by a Heating Seasonal Performance Factor (HSPF) and must have a rating of 8.2 or higher.



Ask your Broan heating and cooling contractor or visit us at www.broanhvac.net for warranty details.

Product registration required.



BROAN® AIR CONDITIONER/HEAT PUMP AND AIR HANDLER SYSTEM OR FURNACE SYSTEM WITH iQ DRIVE® TECHNOLOGY UP TO 25.5 SEER

Smart. Quiet. Reliable. Earth-friendly. Better, consistent home comfort. And ultra-low energy bills. It could be the smartest system we've ever made.

Look for our ecoLogic® seal, your sign of the most energy-efficient, environmentally responsible products Broan offers.



TOP-OF-THE-INDUSTRY INSTALLATION AND SERVICE

When choosing your heating and cooling system, look not only at the products, but also at the service and support provided by the contractor. Broan contractors receive extensive training in the installation and care of your equipment. That means your Broan contractor can help you select the right system for your home and keep it in top operating condition.

FOR MORE INFORMATION, CONTACT US, YOUR BROAN CONTRACTOR:



FOR ULTIMATE COMFORT, CONSIDER iQ Zone

iQ Zone™ works hand-in-hand with your up to 25.5 SEER iQ Drive® air conditioner and up to 22 SEER iQ Drive heat pump to create separate comfort zones in your home. Now you can easily have the bedrooms cooler than the kitchen, or the rarely used den a different temperature than the family room. It's your home. Customize it to your comfort.



iQ Zone offers these benefits.

- Independent temperature control in up to 8 zones served by one unit.
- May increase energy savings.
- Superior comfort.
- Elegant touch-panel control.
- Easy to use.

Ask your Broan contractor for details on iQ Zone or visit www.broanhvac.net.

ENERGY DEFINITIONS

SEER – Seasonal Energy Efficiency Ratio

Measures cooling performance on air conditioners, heat pumps and gas/electric packaged products.

HSPF – Heating Seasonal Performance Factor

It is a measure of the average number of Btu of heat delivered for every Watt-hour of electricity used by the heat pump over the heating season.

AFUE – Annual Fuel Utilization Efficiency

It measures the amount of heat actually delivered to your house compared to the amount of fuel that you must supply to the furnace. Thus, a furnace that has an 80% AFUE rating converts 80% of the fuel that you supply to heat – the other 20% is lost out of the chimney.

As ratings increase, so does unit efficiency.

Proper sizing and installation of equipment is critical to achieve optimal performance. Split system air conditioners and heat pumps must be matched with appropriate coil components to meet ENERGY STAR criteria. Ask your contractor for details or visit www.energystar.gov.



Specifications and illustrations subject to change without notice and without incurring obligation.

Broan® trademark used under license. iQ Zone™ is a trademark of Nortek Global HVAC LLC. iQ Drive® and ecoLogic® are registered trademarks of Nortek Global HVAC LLC. Printed in the U.S.A.

BROAN
HEATING AND COOLING SYSTEMS

www.broanhvac.net

© Nortek Global HVAC LLC 2015. All rights reserved.
953D-0315