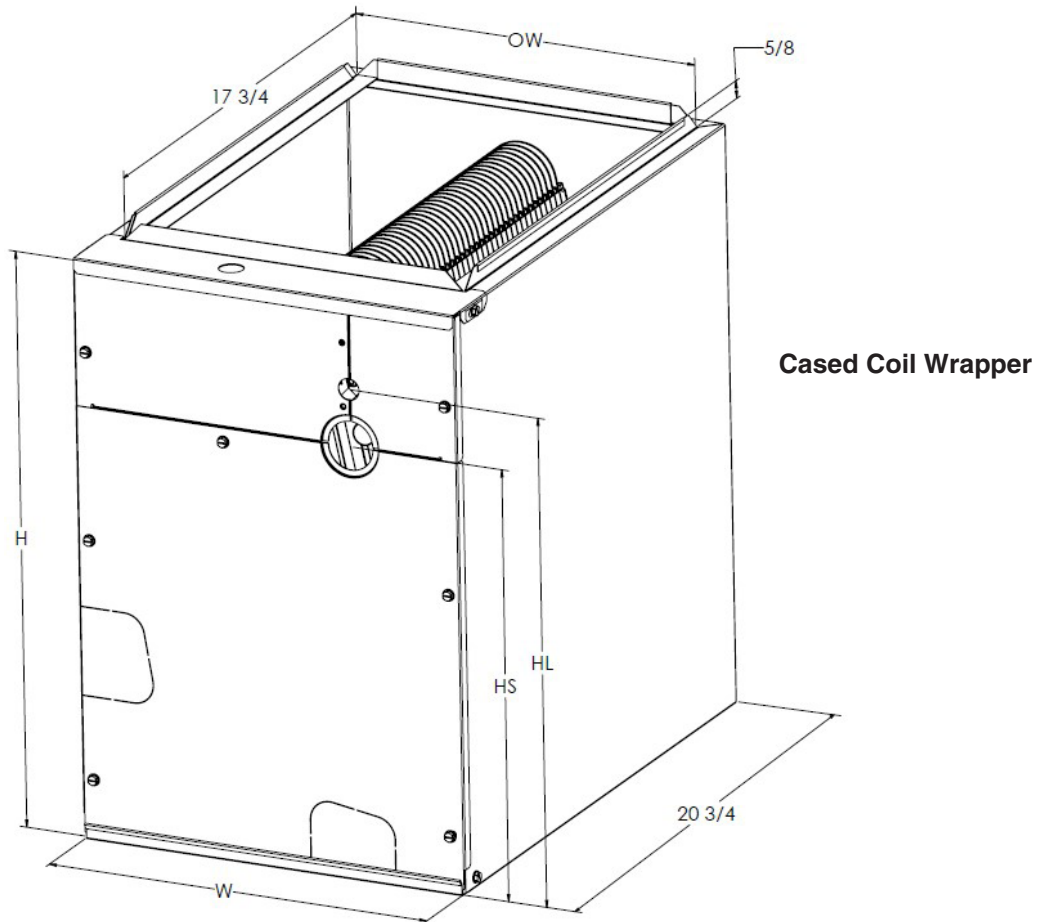
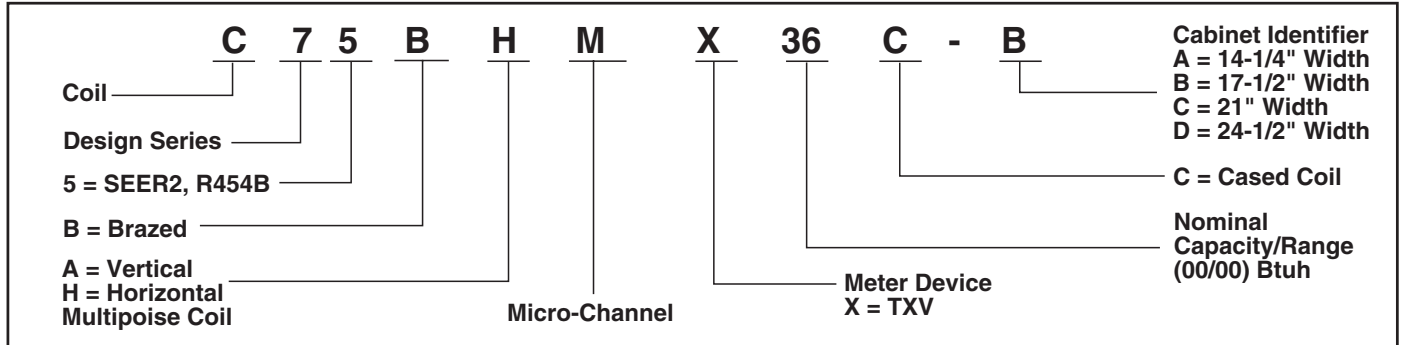


# TECHNICAL SPECIFICATIONS

## C75 Indoor Coils with TXV - Model C75BHM<sup>X</sup>C<sup>\*</sup> & C75BAM<sup>X</sup>C<sup>\*</sup>

### MODEL IDENTIFICATION CODE



# C75B(A,H)M CASED COIL SPECIFICATIONS

	UPFLOW & DOWNFLOW UNITS (3)								
	A-CABINETS		B-CABINETS			C-CABINETS			D-CABINETS
C75BAM	X24C-A	X30C-A	X24C-B	X30C-B	X36C-B	X30C-C	X3642C-C	X4860C-C	X4860C-D
NOMINAL CAPACITY, MIN BTUH	24,000	30,000	24,000	30,000	36,000	30,000	36,000	48,000	48,000
NOMINAL CAPACITY, MAX BTUH							42,000	60,000	60,000
METERING DEVICE	TXV	TXV	TXV	TXV	TXV	TXV	TXV	TXV	TXV
W - WIDTH (IN.)	14.25	14.25	17.5	17.5	17.5	21	21	21	24.5
H - HEIGHT (IN.)	20.75	20.75	20.75	20.75	26.75	26.75	26.75	30.25	30.25
HL - HEIGHT OF LIQUID LINE (IN.)	17.5	17.5	17.5	17.5	23.5	23.5	23.5	27	27
HS - HEIGHT OF SUCTION LINE (IN.)	15.5	15.5	15.5	15.5	21.5	21.5	21.5	25	25
OW - OPENING WIDTH	12 7/8"	12 7/8"	16 1/8"	16 1/8"	16 1/8"	19 5/8"	19 5/8"	19 5/8"	23 1/8"
CONNECTION - LIQUID LINE	3/8	3/8	3/8	3/8	3/8	3/8	3/8	3/8	3/8
CONNECTION - SUCTION LINE	3/4	3/4	3/4	3/4	7/8	3/4	7/8	7/8	7/8
HORIZONTAL DRAIN PAN KIT	920265	920265	920265	920265	920266	920265	920266	920267	920267

## C75BAM Cased Coil Specifications (TXV Only)

	UPFLOW & DOWNFLOW UNITS (3)								
	A-CABINETS		B-CABINETS			C-CABINETS			D-CABINETS
C75BHM	X24C-A	X30C-A	X24C-B	X30C-B	X36C-B	X30C-C	X3642C-C	X4860C-C	X4860C-D
NOMINAL CAPACITY, MIN BTUH	24,000	30,000	24,000	30,000	36,000	30,000	36,000	48,000	48,000
NOMINAL CAPACITY, MAX BTUH							42,000	60,000	60,000
METERING DEVICE	TXV	TXV	TXV	TXV	TXV	TXV	TXV	TXV	TXV
W - WIDTH (IN.)	14.25	14.25	17.5	17.5	17.5	21	21	21	24.5
H - HEIGHT (IN.)	26.75	26.75	26.75	26.75	26.75	26.75	26.75	30.25	30.25
HL - HEIGHT OF LIQUID LINE (IN.)	23.5	23.5	23.5	23.5	23.5	23.5	23.5	27	27
HS - HEIGHT OF SUCTION LINE (IN.)	21.5	21.5	21.5	21.5	21.5	21.5	21.5	25	25
OW - OPENING WIDTH	12 7/8"	12 7/8"	16 1/8"	16 1/8"	16 1/8"	19 5/8"	19 5/8"	19 5/8"	23 1/8"
CONNECTION - LIQUID LINE	3/8	3/8	3/8	3/8	3/8	3/8	3/8	3/8	3/8
CONNECTION - SUCTION LINE	3/4	3/4	3/4	3/4	7/8	3/4	7/8	7/8	7/8

## C75BHM Cased Coil Specifications (TXV Only)

### NOTES:

1. Rated for 10,000 ft maximum elevation.
2. Refer to sales specification sheets for Listed/Certified combinations of equipment and required accessories.
3. X in the model description designates factory installed TXV for R-454B refrigerant.
4. Refer to the current AHRI Directory for certified ratings of split systems.
5. The downflow kit that include the additional drain pan condensate baffle for A-cabinets is available as PN 1049100.
6. A2L sensor kit is available as PN 1049246.

# C75 CASED COIL DIMENSIONS

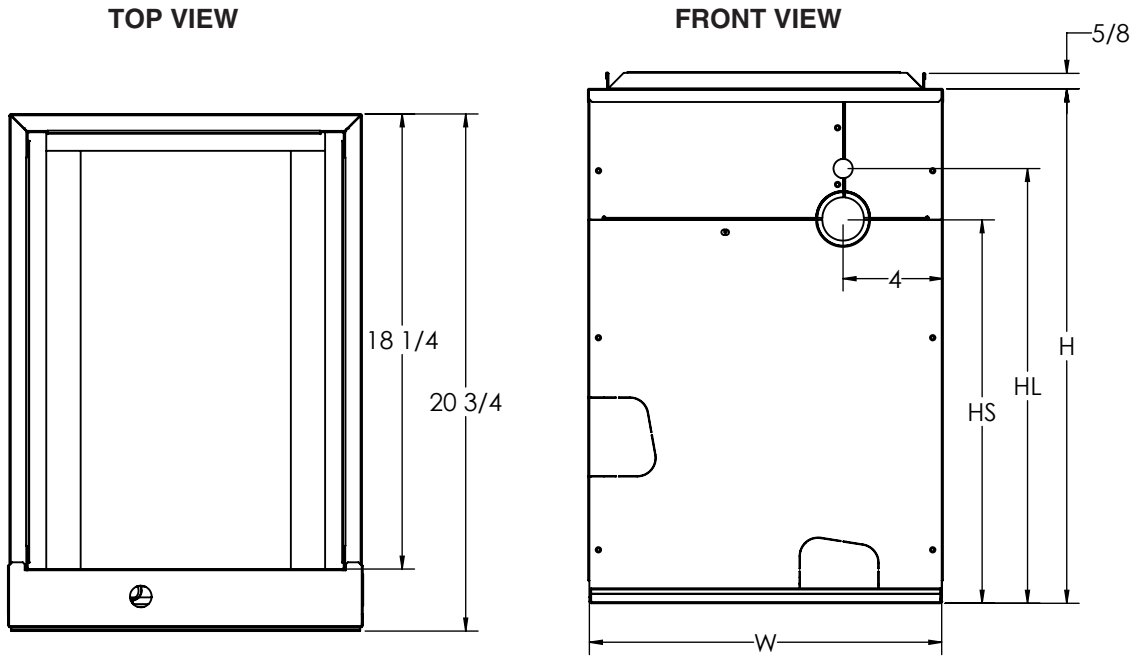
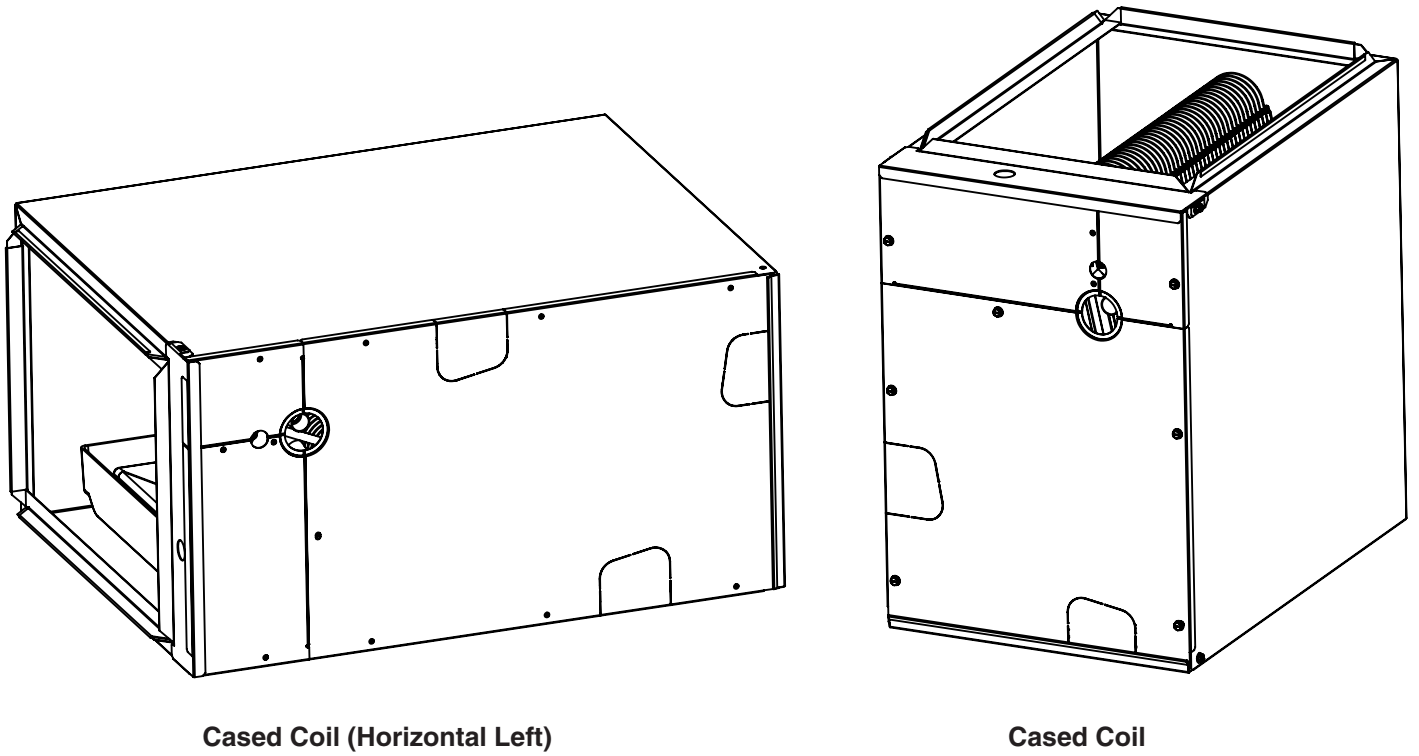
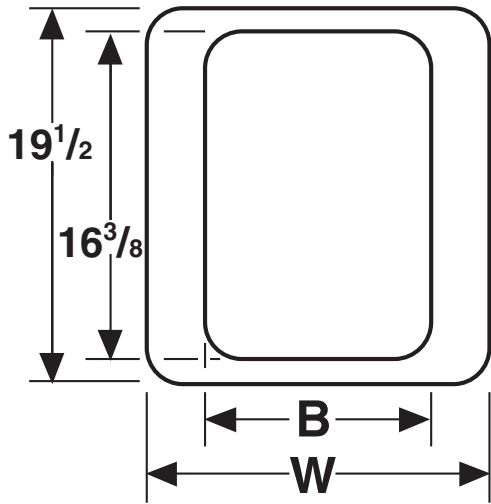


Figure 1. C75 Coil Dimensions (with TXV)





### DRAIN PAN DIMENSIONS

Dimension	A Cabinet	B Cabinet	C Cabinet	D Cabinet
W	12 3/4	16	19 1/2	23
B	6 5/8	9 7/8	12 3/8	16 7/8

Drain Pan—Bottom View



Before purchasing this appliance, read important energy cost and efficiency information available from your retailer. Specifications and illustrations subject to change without notice and without incurring obligations. Printed in U.S.A (09/2024)