

MAYTAG®

TECHNICAL SPECIFICATIONS

Model PPH2SD Series



M1200 Product Line

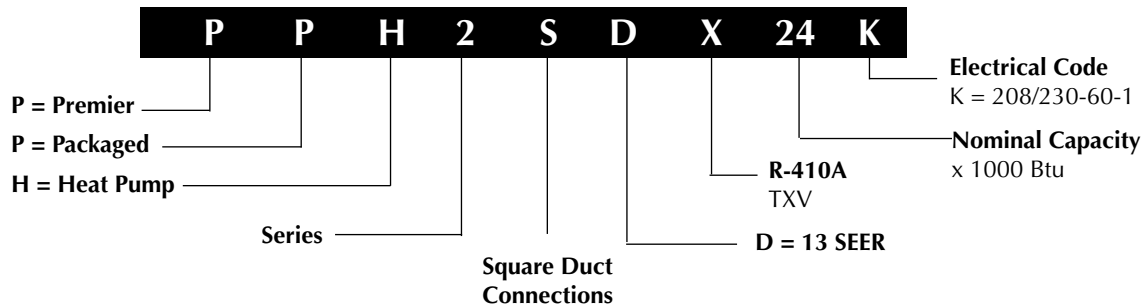
**Single Packaged Heat Pump
13 SEER, 7.7 HSPF 2 - 5 Ton Units**

The PPH2SD Series single packaged heat pumps are high efficiency self contained cooling and heating units that can be installed on a roof or on a slab. The convertible unit design makes installations simple in all applications. Units are ETL and ETLc listed.

Features and Benefits

- **Copeland Compressor:** State of the art scroll compressor is standard equipment.
- **Quiet Operation and Low Vibration:** Swept-wing fan blade combined with custom Venturi condenser fan.
- **Compressor Sound Blanket**
- **Wire guard coated with earth friendly epoxy and plastic mesh hail guard:** A guard that will never rust and protects the units coil from being damaged.
- **Copper Tube / Aluminum Fin Coils:** Both indoor and outdoor coils are designed to optimize heat transfer, minimize size and cost, and increase durability and reliability.
- **Designed using Galvanized Steel:** with a polyester urethane coat finish. The 950 hour salt spray finish is 1.5 mil thick and resists corrosion 50% better than comparable units.
- **Permanently Lubricated Condenser Motor:** A heavy duty PSC motor for long lasting reliability and quiet operation. Requires no maintenance and is completely protected from rain and snow.
- **Thermostatic Expansion Valves:** Factory installed externally equalized thermostatic expansion valves provides precise refrigerant control under varying load conditions.
- **Hi Pressure Switch:** Ensures long compressor life.
- **Externally Accessible Service Ports:** Quick access to refrigeration system.
- **Liquid Line Filter Driers:** Factory installed at a convenient location for service.
- **Suction Accumulator:** Protection from liquid flood back and future compressor failures.
- **Low voltage Transformer:** Includes 3 Amp fuse to protect low voltage circuit.
- **Corrosion-Resistant Drain Pan:** Quickly drains away evaporator condensate.
- **Energy Efficient:** Brushless DC (ECM) Blower Motor.
- **Demand Defrost Standard:** Provides additional energy savings in heating by defrosting only when necessary.
- **Five Minute Restart Time Delay:** When the unit shuts down, a 5 minute delay keeps the unit from restarting, eliminating the highest cause for compressor failure.
- **Heavy-Gauge, Full Perimeter Base Rails:** Facilitates forklift handling and curb mounting.
- **Convertible Air Delivery:** Horizontal or downflow to accommodate rooftop or horizontal applications.
- **Easy Compressor and Control Access:** Designed to make servicing easier for the contractor, access panels are provided to all controls and the compressor from the side of the unit.
- **Easy access:** to the evaporator coil for cleaning and general maintenance.
- **Removable Top Grille Assembly:** Allows ease of service to the fan motor.
- **Duct Flanges:** reduce installation costs.
- **Optional Electric Heat:** Field installed 5 – 20 KW.
- **Proven, Industry Standard Components:** Easier service and availability.

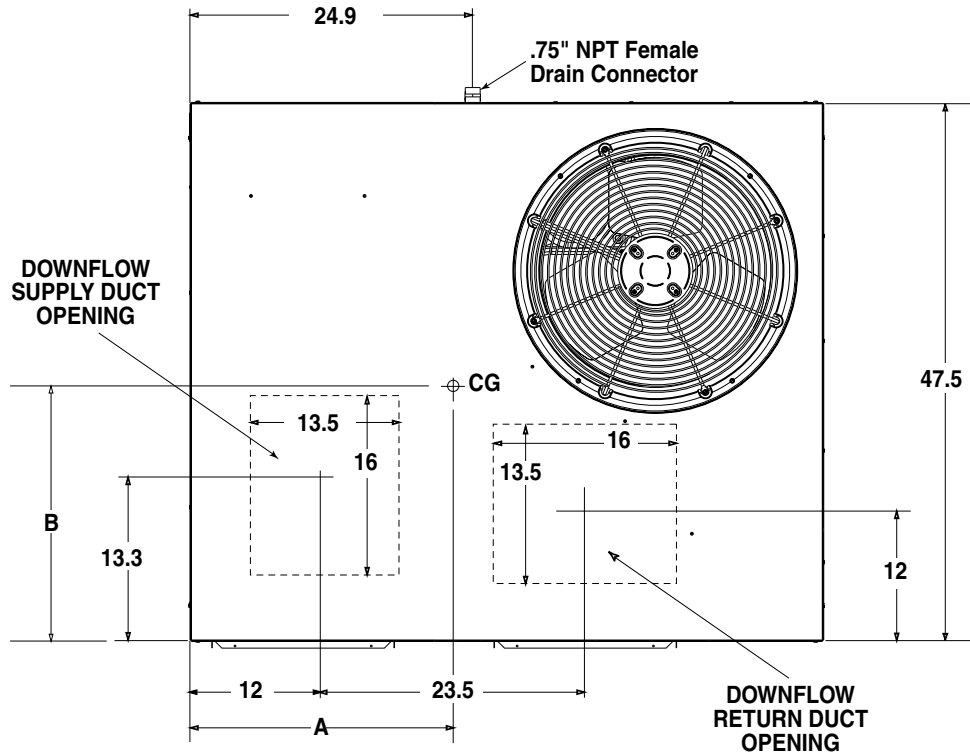
IDENTIFICATION CODE



SPECIFICATIONS

Model Number	PPH2SD					
	X24	X30	X36	X42	X48	X60
Performance						
Capacity-Heating BTUH	22,800	27,000	33,400	40,000	46,000	59,000
Efficiency-HSPF	7.7	7.7	7.7	7.7	7.7	7.7
Capacity-Cooling BTUH	23,000	27,200	35,000	42,000	46,000	58,000
Efficiency-Seer	13.3	13.3	13.5	13.5	13.3	13.0
EER (Btuh/watt)	11.0	11.5	11.8	11.5	11.2	11.0
Electric Rating-60 Hz						
Phase	1	1	1	1	1	1
Operating Voltage Range	187-253	187-253	187-253	187-253	187-253	187-253
Min. Circuit Ampacity	21.1	24.7	28.6	32.9	37.6	44.1
Field Wire Size - AWG	10	10	10	8	8	6
Total Unit - Amps	17.9	20.8	23.9	27.4	31.5	36.8
Compressor Data						
Volts	208-230	208-230	208-230	208-230	208-230	208-230
Rated Load Amps	12.8	15.7	18.6	22.1	24.3	29.3
Lock Rotor Amps	58.3	73	79	109	117	134
Indoor Blower						
Type	Fixed Torque	Fixed Torque	Fixed Torque	Fixed Torque	Fixed Torque	Fixed Torque
Motor HP	1/2	1/2	1/2	1/2	3/4	3/4
Motor - Amps	4.1	4.1	4.1	4.1	6.0	6.0
Outdoor Fan						
Motor - HP / RPM	1/5 - 825	1/5 - 825	1/4 - 1100	1/4 - 1100	1/4 - 1100	1/3 - 1100
Motor - Amps	1.2	1.2	1.2	1.2	1.2	1.5
Fan Diameter / CFM	20 / 3600	20 / 3600	20 / 3800	20 / 3800	20 / 3800	20 / 4000
R-410A Charge - Oz	99	109	110	213	224	224
Net Weight lbs.	440	450	460	560	570	580
Shipping Weight lbs.	450	460	470	570	580	590
Sound Rating	72	72	77	77	77	77

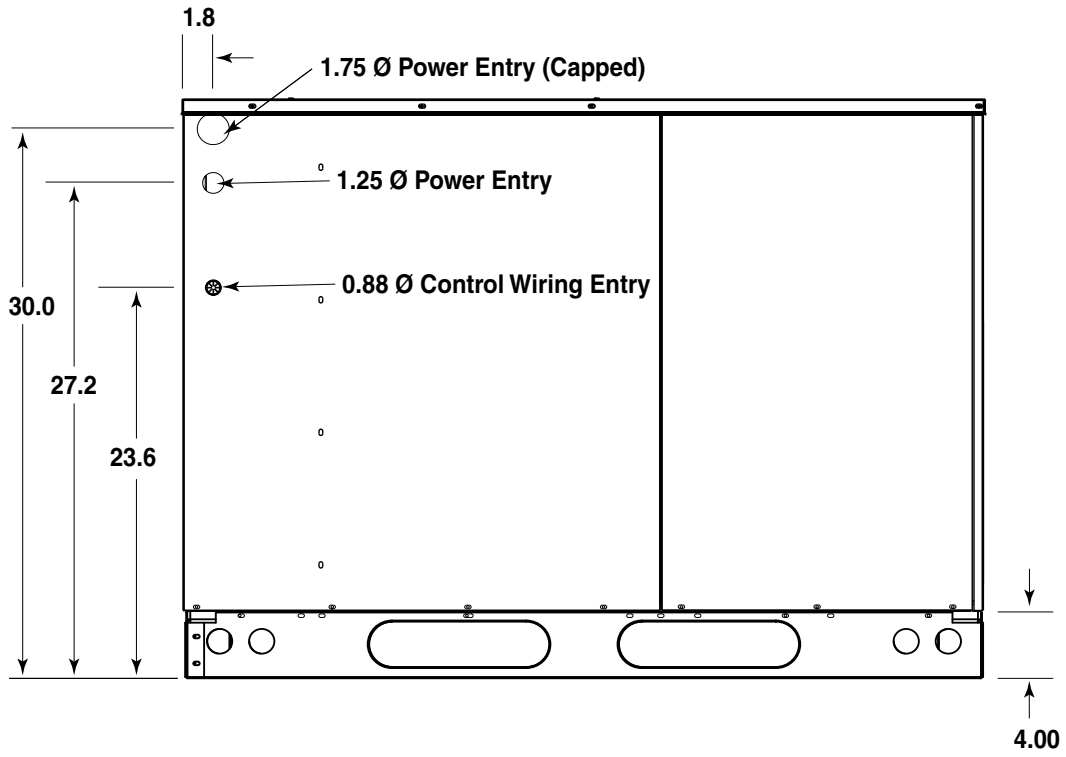
DIMENSIONS



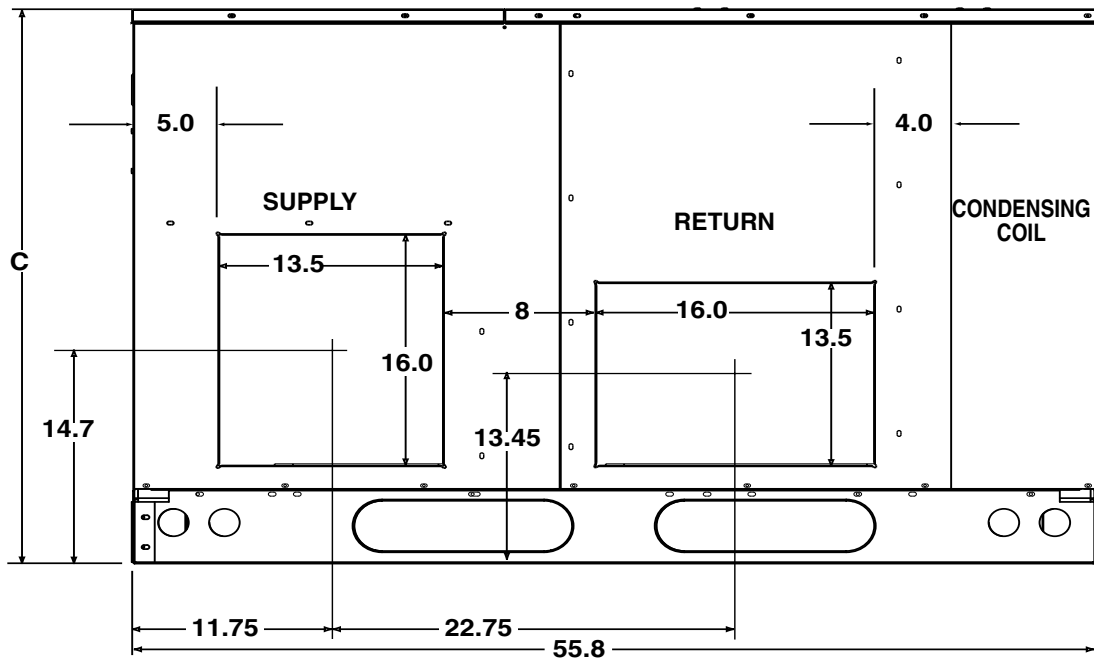
Top View

Model Number PPH2SD	Unit Weight	Center of Gravity		Height (in inches)	
		A	B	C	
				with base rails	without base rails
X24	440	28.0	25.5	39.0	35.3
X30	450	28.0	26.0	39.0	35.3
X36	460	28.0	25.5	39.0	35.3
X42	560	29.5	26.0	43.0	39.3
X48	570	29.5	26.0	43.0	39.3
X60	580	29.5	26.0	43.0	39.3

DIMENSIONS continued



Side View



Back (Duct) View

ELECTRICAL DATA

Model Number	Heater Installed Nom. KW	Single Supply Circuit Option		Multiple Supply Circuit Option					
				Circuit A (Compressor & Fan)		Circuit B (Blower & Heater)		Circuit C (Heater Only)	
		Minimum Circuit Amp.	Maximum Over-current Rating *	Minimum Circuit Amp.	Maximum Over-current Rating *	Minimum Circuit Amp.	Maximum Over-current Rating *	Minimum Circuit Amp.	Maximum Over-current Rating *
PPH2SD-X24K	0	21.1	30	-	-	-	-	-	-
	5	46.1	50	17.0	25	29.1	30	-	-
	8	60.7	70	17.0	25	43.7	45	-	-
	10	71.1	80	17.0	25	54.1	60	-	-
	15	96.1	100	17.0	25	54.1	60	25.0	30
PPH2SD-X30K	0	24.7	40	-	-	-	-	-	-
	5	49.7	60	20.6	35	29.1	30	-	-
	8	64.3	70	20.6	35	43.7	45	-	-
	10	74.7	80	20.6	35	54.1	60	-	-
	15	99.7	100	20.6	35	54.1	60	25.0	30
PPH2SD-X36K	0	28.6	45	-	-	-	-	-	-
	5	53.6	60	24.5	40	29.1	30	-	-
	8	68.1	70	24.5	40	43.7	45	-	-
	10	78.6	80	24.5	40	54.1	60	-	-
	15	103.6	110	24.5	40	54.1	60	25.0	30
PPH2SD-X42K	0	32.9	50	-	-	-	-	-	-
	5	57.9	70	28.8	50	29.1	30	-	-
	8	72.5	80	28.8	50	43.7	45	-	-
	10	82.9	90	28.8	50	54.1	60	-	-
	15	107.9	110	28.8	50	54.1	60	25.0	30
	20	132.9	150	28.8	50	54.1	60	50.0	60
PPH2SD-X48K	0	37.6	60	-	-	-	-	-	-
	5	62.6	80	31.6	50	31.0	35	-	-
	8	77.2	90	31.6	50	45.6	50	-	-
	10	87.6	100	31.6	50	56.0	60	-	-
	15	112.6	125	31.6	50	56.0	60	25.0	30
	20	137.6	150	31.6	50	56.0	60	50.0	60
PPH2SD-X60K	0	44.1	70	-	-	-	-	-	-
	5	69.1	90	38.1	60	31.0	35	-	-
	8	83.7	100	38.1	60	45.6	50	-	-
	10	94.1	110	38.1	60	56.0	60	-	-
	15	119.1	125	38.1	60	56.0	60	25.0	30
	20	144.1	150	38.1	60	56.0	60	50.0	60

*If electric heat is installed, and the overcurrent rating exceeds 60A, internal circuit breakers must be installed in addition to branch circuit protection at the distribution panel.

BLOWER PERFORMANCE

Model number		External Static Pressure Drop - inches water column						
PPH2SD		0.1	0.2	0.3	0.4	0.5	0.6	
X24	*	Tap T1	1110	869	529	-	-	-
	**	Tap T2	1211	996	700	609	-	-
		Tap T3	1400	1350	1200	1150	1080	1030
		Tap T4	1600	1500	1400	1300	1200	1050
		Tap T5	1700	1650	1600	1565	1530	1480
X30	**	Tap T1	1211	996	700	609	-	-
	*	Tap T2	1275	1077	940	876	807	732
		Tap T3	1400	1350	1200	1150	1080	1030
		Tap T4	1600	1500	1400	1300	1200	1050
		Tap T5	1700	1650	1600	1565	1530	1480
X36	**	Tap T1	1150	1050	1000	950	850	780
		Tap T2	1230	1190	1120	1080	1000	950
	*	Tap T3	1464	1394	1332	1272	1216	1143
		Tap T4	1600	1500	1400	1300	1200	1050
		Tap T5	1700	1650	1600	1565	1530	1480
X42	**	Tap T1	1150	1050	1000	950	850	780
		Tap T2	1230	1190	1120	1080	1000	950
		Tap T3	1400	1350	1200	1150	1080	1030
	*	Tap T4	1524	1476	1424	1379	1329	1268
		Tap T5	1700	1650	1600	1565	1530	1480
X48	*	Tap T1	1515	1450	1380	1350	1300	1250
	**	Tap T2	1580	1520	1460	1400	1360	1300
		Tap T3	1740	1690	1650	1600	1540	1500
		Tap T4	1960	1910	1840	1820	1780	1740
		Tap T5	2090	2050	2010	1975	1940	1900
X60		Tap T1	1515	1450	1380	1350	1300	1250
	**	Tap T2	1580	1520	1460	1400	1360	1300
	*	Tap T3	1740	1690	1650	1600	1540	1500
		Tap T4	1960	1910	1840	1820	1780	1740
		Tap T5	2090	2050	2010	1975	1940	1900

* Denotes factory set cooling speed

** Denotes factory set electric heating speed

NOTE: Airflow performance is with a dry coil

HEATER APPLICATION MATRIX

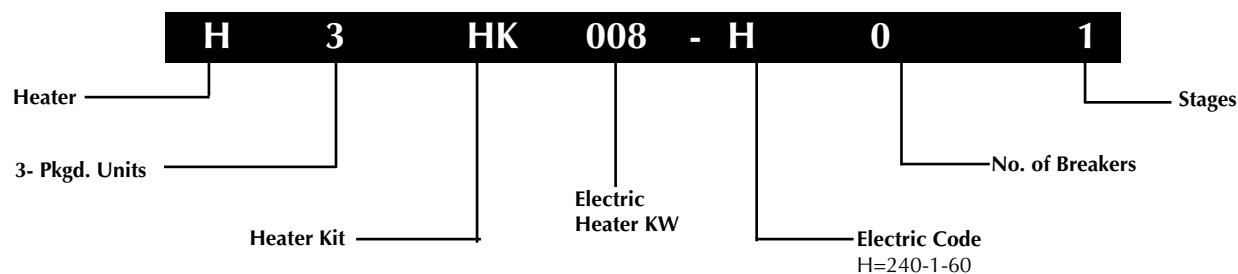
Model Number	H3HK-005H-01B	H3HK-008H-01B	H3HK-010H-01B	H3HK-015H-01B	H3HK-020H-01B	H3HK-015H-21B	H3HK-020H-21B
	917166B	917167B	917168B	917169B	917170B	917172B	917173B
PPH2SD-X24	X	X(2)	X(2)	X(2)	NA	X	NA
PPH2SD-X30	X	X(2)	X(2)	X(2)	NA	X	NA
PPH2SD-X36	X	X(2)	X(2)	X(2)	NA	X	NA
PPH2SD-X42	X	X(2)	X(2)	X(3)	X(3)	X(1)	X(1)
PPH2SD-X48	X(2)	X(2)	X(2)	X(3)	X(3)	X(1)	X(1)
PPH2SD-X60	X(2)	X(2)	X(2)	X(3)	X(3)	X(1)	X(1)

NA = Not Applicable.

() = Number of internal circuit breaker kits required.

X = Branch circuit protection only

IDENTIFICATION CODE



ACCESSORIES

Description	Part Number
Roof Curb (8")	547830
Roof Curb (14")	547831
Roof Curb (18")	547850
Roof Curb (24")	547851
Supply/return transition, 16"	547834
Supply/return transition, 18"	547835
Concentric diffuser, flush, 16"	547836
Concentric diffuser, flush, 18"	547837
Concentric diffuser, step down 16"	547838
Concentric diffuser, step down 18"	547839
Filter Rack, All Downflow Applications (not required with economizer)	547885
Universal Hard Start Kit	912933
Low Ambient Kit	918837
Outdoor Thermostat Kit	913852
Skirt Trim Kit	919729B
Extreme High Wind Kit - Roof Curb Mount	903696
Extreme High Wind Kit - Ground Mount	903695
Heater Kit - 4-Pole Single Circuit Adaptor	913350
Heater Kit - 6-Pole Single Circuit Adaptor	913556
Heater Kit - Circuit Breaker Single Phase (2-Pole)	913554
Freezestat Kit	917108
Duct Adapter 14" Round (2 each)	913812A

PPH2SDX24

O.D.T			85°F			95°F			105°F			115°F		
CFM	E.D.B.	E.W.B.	T.C.	S.C.	K.W.	T.C.	S.C.	K.W.	T.C.	S.C.	K.W.	T.C.	S.C.	K.W.
650	80	62	21.8	17.7	1.70	20.8	17.8	1.90	19.8	18.3	2.13	18.7	18.0	2.38
	80	67	23.5	14.1	1.71	22.4	13.7	1.92	21.3	13.3	2.14	20.0	12.9	2.40
	80	72	25.3	11.0	1.74	24.1	10.6	1.94	22.9	10.2	2.17	21.6	9.8	2.42
	75	63	21.8	13.9	1.70	20.8	14.0	1.90	19.7	13.8	2.13	18.6	13.5	2.38
750	80	62	22.5	19.2	1.70	21.5	19.8	1.91	20.5	19.8	2.13	19.5	19.5	2.39
	80	67	24.1	15.2	1.72	23.0	14.8	1.93	21.8	14.3	2.15	20.5	13.9	2.40
	80	72	26.0	11.6	1.76	24.8	11.2	1.96	23.5	10.8	2.18	22.1	10.3	2.43
	75	63	22.4	15.5	1.70	21.4	15.4	1.91	20.3	15.1	2.13	19.1	14.7	2.39
850	80	62	23.1	21.2	1.71	22.2	21.1	1.92	21.3	21.3	2.14	20.2	20.2	2.40
	80	67	24.7	16.2	1.73	23.5	15.7	1.93	22.3	15.6	2.16	21.0	15.2	2.41
	80	72	26.5	12.1	1.77	25.3	11.7	1.97	23.9	11.3	2.19	22.5	10.9	2.43
	75	63	22.9	17.2	1.71	21.9	16.8	1.91	20.7	16.7	2.14	19.5	16.2	2.39

PPH2SDX30

O.D.T			85°F			95°F			105°F			115°F		
CFM	E.D.B.	E.W.B.	T.C.	S.C.	K.W.	T.C.	S.C.	K.W.	T.C.	S.C.	K.W.	T.C.	S.C.	K.W.
800	80	62	25.6	20.7	2.01	24.5	20.9	2.24	23.3	21.6	2.50	22.1	21.3	2.80
	80	67	27.7	16.5	2.03	26.5	16.0	2.26	25.2	15.6	2.52	23.8	15.1	2.82
	80	72	30.3	12.7	2.05	29.0	12.4	2.28	27.5	12.0	2.54	25.8	11.6	2.84
	75	63	25.7	14.3	2.01	24.6	14.4	2.24	23.3	14.3	2.50	22.0	14.0	2.80
900	80	62	26.2	22.2	2.01	25.1	23.0	2.24	23.9	23.0	2.51	22.8	22.8	2.81
	80	67	28.3	17.4	2.03	27.1	17.0	2.26	25.7	16.5	2.52	24.3	16.1	2.82
	80	72	30.8	13.4	2.06	29.3	13.0	2.28	27.9	12.6	2.54	26.3	12.1	2.84
	75	63	26.3	15.7	2.01	25.1	15.6	2.24	23.8	15.3	2.51	22.4	14.9	2.81
1000	80	62	26.8	24.2	2.02	25.7	24.3	2.25	24.7	24.7	2.51	23.5	23.5	2.81
	80	67	28.8	18.3	2.04	27.5	17.9	2.27	26.2	17.5	2.53	24.7	17.0	2.82
	80	72	31.2	13.9	2.06	29.8	13.5	2.29	28.3	13.1	2.55	26.7	12.7	2.84
	75	63	26.8	17.2	2.02	25.5	16.8	2.25	24.2	16.4	2.51	22.8	15.9	2.81

PPH2SDX36

O.D.T			85°F			95°F			105°F			115°F		
CFM	E.D.B.	E.W.B.	T.C.	S.C.	K.W.	T.C.	S.C.	K.W.	T.C.	S.C.	K.W.	T.C.	S.C.	K.W.
1200	80	62	34.3	30.1	2.63	32.8	30.2	2.91	31.4	30.6	3.23	29.8	29.5	3.60
	80	67	36.6	24.3	2.66	34.8	23.7	2.93	33.1	23.1	3.25	31.2	22.4	3.62
	80	72	39.3	18.1	2.69	37.4	17.6	2.97	35.5	17.0	3.28	33.4	16.4	3.64
	75	63	34.1	23.8	2.63	32.5	23.9	2.91	30.8	23.7	3.23	29.0	23.3	3.59
1350	80	62	35.3	31.8	2.64	33.9	32.2	2.92	32.4	31.6	3.24	30.7	30.7	3.61
	80	67	37.2	25.9	2.66	35.5	25.3	2.94	33.6	24.7	3.26	31.7	24.0	3.62
	80	72	39.9	19.0	2.70	38.1	18.5	2.97	36.1	17.9	3.29	33.9	17.3	3.65
	75	63	34.7	26.2	2.64	33.1	26.1	2.91	31.3	25.7	3.23	29.5	25.1	3.60
1500	80	62	36.3	33.6	2.65	34.8	33.1	2.93	33.2	33.2	3.25	31.5	31.5	3.62
	80	67	37.7	27.5	2.67	36.0	26.9	2.95	34.1	26.2	3.27	32.2	25.5	3.63
	80	72	40.4	20.0	2.70	38.5	19.4	2.98	36.5	18.8	3.30	34.3	18.1	3.66
	75	63	35.2	28.8	2.64	33.6	28.3	2.92	31.8	27.7	3.24	29.9	26.9	3.60

PPH2SDX42

O.D.T			85°F			95°F			105°F			115°F		
CFM	E.D.B.	E.W.B.	T.C.	S.C.	K.W.	T.C.	S.C.	K.W.	T.C.	S.C.	K.W.	T.C.	S.C.	K.W.
1250	80	62	40.4	33.5	3.19	38.6	33.7	3.54	36.6	34.6	3.94	34.6	34.0	4.37
	80	67	43.4	26.8	3.21	41.3	26.1	3.57	39.1	25.7	3.96	36.9	24.9	4.40
	80	72	47.0	20.6	3.24	44.6	19.9	3.60	42.2	19.2	3.99	39.7	18.5	4.43
	75	63	40.4	26.4	3.19	38.5	26.5	3.54	36.4	26.6	3.93	34.3	26.1	4.37
1400	80	62	41.4	35.8	3.19	39.5	36.9	3.55	37.6	36.6	3.95	35.8	35.8	4.38
	80	67	44.3	28.9	3.22	42.1	28.1	3.58	39.9	27.4	3.97	37.5	26.6	4.40
	80	72	47.8	21.6	3.25	45.4	20.9	3.61	42.9	20.2	4.00	40.4	19.5	4.44
	75	63	41.3	29.5	3.19	39.3	29.2	3.55	37.1	28.8	3.94	34.9	28.1	4.38
1550	80	62	42.4	38.9	3.20	40.6	38.5	3.56	38.7	38.7	3.96	36.8	36.8	4.40
	80	67	45.0	30.5	3.23	42.8	29.8	3.58	40.5	29.0	3.98	38.1	28.2	4.41
	80	72	48.6	22.6	3.26	46.1	21.9	3.61	43.6	21.2	4.01	41.0	20.4	4.44
	75	63	42.0	32.3	3.20	39.9	31.7	3.56	37.7	31.0	3.95	35.5	30.1	4.38

PPH2SDX48

O.D.T			85°F			95°F			105°F			115°F		
CFM	E.D.B.	E.W.B.	T.C.	S.C.	K.W.	T.C.	S.C.	K.W.	T.C.	S.C.	K.W.	T.C.	S.C.	K.W.
1350	80	62	45.0	37.4	3.71	43.0	37.6	4.11	40.9	38.7	4.54	38.7	38.1	5.02
	80	67	48.7	30.4	3.75	46.2	29.6	4.15	43.9	28.8	4.59	41.5	28.0	5.07
	80	72	52.9	22.9	3.79	50.3	22.2	4.20	47.7	21.5	4.64	45.0	20.7	5.13
	75	63	45.3	29.9	3.72	43.1	30.0	4.11	40.9	29.8	4.54	38.6	29.3	5.02
1500	80	62	46.0	39.7	3.78	43.8	40.9	4.18	41.8	40.7	4.62	39.8	39.8	5.10
	80	67	49.3	32.1	3.81	46.9	31.3	4.22	44.5	30.5	4.66	42.0	29.6	5.14
	80	72	53.5	24.0	3.86	50.8	23.2	4.27	48.1	22.5	4.71	45.4	21.8	5.20
	75	63	45.9	32.7	3.78	43.7	32.5	4.18	41.4	32.0	4.61	39.1	31.4	5.09
1650	80	62	46.7	42.9	3.85	44.8	42.5	4.26	42.8	42.8	4.69	40.7	40.7	5.18
	80	67	49.8	33.8	3.88	47.4	32.9	4.29	44.9	32.1	4.73	42.4	31.3	5.21
	80	72	53.9	25.0	3.93	51.2	24.3	4.34	48.5	23.5	4.78	45.8	22.8	5.27
	75	63	46.5	35.7	3.85	44.2	35.1	4.25	41.8	34.3	4.68	39.4	33.4	5.15

PPH2SDX60

O.D.T			85°F			95°F			105°F			115°F		
CFM	E.D.B.	E.W.B.	T.C.	S.C.	K.W.	T.C.	S.C.	K.W.	T.C.	S.C.	K.W.	T.C.	S.C.	K.W.
1550	80	62	56.0	45.2	4.71	53.6	45.6	5.15	51.1	47.0	5.65	48.5	46.5	6.23
	80	67	60.5	36.9	4.79	57.7	35.9	5.23	54.9	35.0	5.74	52.0	34.0	6.31
	80	72	65.8	28.2	4.90	62.8	27.3	5.34	59.6	26.5	5.84	56.3	25.6	6.41
	75	63	56.4	36.3	4.72	53.8	36.6	5.15	51.2	36.4	5.66	48.5	35.8	6.23
1700	80	62	57.2	47.9	4.73	54.7	49.6	5.17	52.1	49.7	5.68	49.6	49.5	6.25
	80	67	61.4	38.7	4.81	58.7	37.8	5.26	55.8	36.8	5.75	52.8	35.8	6.33
	80	72	66.6	29.4	4.92	63.4	28.6	5.35	60.1	27.7	5.85	56.8	26.7	6.42
	75	63	57.3	39.7	4.73	54.8	39.5	5.17	52.1	38.9	5.67	49.3	38.2	6.25
1850	80	62	58.2	51.9	4.75	55.7	52.1	5.19	53.3	53.2	5.70	50.8	50.8	6.28
	80	67	62.3	40.6	4.83	59.5	39.7	5.28	56.6	38.7	5.77	53.5	37.7	6.34
	80	72	67.1	30.6	4.93	64.0	29.7	5.37	60.9	28.8	5.87	57.5	27.8	6.44
	75	63	58.2	43.3	4.75	55.6	42.6	5.19	52.8	41.6	5.69	49.9	40.6	6.26

EXPANDED RATINGS

HEATING

PPH2SDX24

		OUTDOOR TEMPERATURE (Deg. F)																							
CFM	Indoor T. Deg.F	10			17			20			30			40			47			50			60		
		MBH	COP	kW	MBH	COP	kW	MBH	COP	kW	MBH	COP	kW	MBH	COP	kW	MBH	COP	kW	MBH	COP	kW	MBH	COP	kW
600	60	9.41	1.84	1.50	12.19	2.31	1.55	13.38	2.51	1.57	17.35	3.12	1.63	21.33	3.69	1.70	24.11	4.06	1.74	25.30	4.21	1.76	29.27	4.70	1.83
	70	8.88	1.80	1.45	11.49	2.23	1.51	12.61	2.40	1.54	16.33	2.94	1.63	20.05	3.42	1.72	22.66	3.72	1.79	23.77	3.85	1.81	27.50	4.23	1.90
	80	8.28	1.72	1.41	10.72	2.12	1.49	11.77	2.27	1.52	15.25	2.76	1.62	18.74	3.18	1.73	21.18	3.45	1.80	22.22	3.56	1.83	25.71	3.89	1.94
750	60	9.50	1.78	1.56	12.35	2.25	1.61	13.57	2.45	1.63	17.63	3.06	1.69	21.70	3.64	1.75	24.54	4.01	1.79	25.76	4.17	1.81	29.82	4.67	1.87
	70	9.04	1.74	1.52	11.70	2.17	1.58	12.84	2.34	1.61	16.64	2.88	1.69	20.44	3.37	1.78	23.10	3.68	1.84	24.24	3.81	1.87	28.04	4.21	1.95
	80	8.45	1.68	1.48	10.95	2.07	1.55	12.02	2.23	1.58	15.60	2.71	1.69	19.18	3.13	1.79	21.68	3.40	1.87	22.75	3.51	1.90	26.33	3.85	2.00
900	60	9.73	1.76	1.62	12.61	2.22	1.66	13.84	2.41	1.68	17.95	3.03	1.74	22.06	3.60	1.80	24.93	3.98	1.83	26.16	4.14	1.85	30.27	4.65	1.91
	70	9.19	1.71	1.57	11.91	2.14	1.63	13.07	2.31	1.66	16.95	2.85	1.74	20.83	3.34	1.83	23.55	3.66	1.89	24.71	3.79	1.91	28.59	4.20	2.00
	80	8.64	1.64	1.54	11.17	2.03	1.61	12.25	2.18	1.64	15.87	2.66	1.75	19.49	3.08	1.85	22.02	3.35	1.93	23.11	3.46	1.96	26.72	3.80	2.06

PPH2SDX30

		OUTDOOR TEMPERATURE (Deg. F)																							
CFM	Indoor T. Deg.F	10			17			20			30			40			47			50			60		
		MBH	COP	kW	MBH	COP	kW	MBH	COP	kW	MBH	COP	kW	MBH	COP	kW	MBH	COP	kW	MBH	COP	kW	MBH	COP	kW
800	60	11.8	2.04	1.70	14.9	2.51	1.74	16.3	2.70	1.76	20.7	3.31	1.83	25.2	3.88	1.90	28.3	4.26	1.95	29.6	4.41	1.97	34.1	4.91	2.04
	70	11.2	1.97	1.67	14.2	2.40	1.74	15.4	2.57	1.76	19.7	3.11	1.86	23.9	3.60	1.95	26.9	3.92	2.01	28.1	4.04	2.04	32.3	4.45	2.13
	80	10.6	1.87	1.67	13.4	2.26	1.74	14.6	2.42	1.77	18.6	2.91	1.87	22.6	3.35	1.98	25.4	3.63	2.05	26.6	3.74	2.08	30.6	4.10	2.19
950	60	11.9	1.99	1.75	15.1	2.46	1.80	16.5	2.65	1.82	21.0	3.27	1.88	25.6	3.85	1.95	28.7	4.23	1.99	30.1	4.38	2.01	34.7	4.89	2.08
	70	11.4	1.92	1.74	14.4	2.35	1.80	15.7	2.52	1.83	20.0	3.06	1.91	24.3	3.56	2.00	27.3	3.89	2.06	28.6	4.02	2.09	32.9	4.44	2.17
	80	10.8	1.83	1.73	13.7	2.22	1.80	14.9	2.38	1.83	19.0	2.87	1.94	23.0	3.31	2.04	25.9	3.60	2.11	27.1	3.71	2.14	31.2	4.08	2.24
1100	60	12.1	1.96	1.81	15.3	2.42	1.85	16.7	2.62	1.87	21.3	3.23	1.93	25.9	3.81	1.99	29.1	4.20	2.03	30.5	4.36	2.05	35.1	4.88	2.11
	70	11.6	1.89	1.79	14.6	2.32	1.85	15.9	2.49	1.88	20.3	3.04	1.96	24.7	3.54	2.05	27.8	3.87	2.10	29.1	4.00	2.13	33.4	4.43	2.21
	80	11.0	1.80	1.79	13.9	2.19	1.86	15.1	2.34	1.89	19.2	2.83	1.99	23.4	3.27	2.09	26.2	3.56	2.16	27.5	3.67	2.19	31.6	4.04	2.29

PPH2SDX36

		OUTDOOR TEMPERATURE (Deg. F)																							
CFM	Indoor T. Deg.F	10			17			20			30			40			47			50			60		
		MBH	COP	kW	MBH	COP	kW	MBH	COP	kW	MBH	COP	kW	MBH	COP	kW	MBH	COP	kW	MBH	COP	kW	MBH	COP	kW
1200	60	14.5	1.99	2.14	18.3	2.42	2.21	19.9	2.60	2.24	25.3	3.16	2.35	30.7	3.68	2.45	34.5	4.01	2.52	36.1	4.15	2.55	41.5	4.58	2.66
	70	13.8	1.86	2.18	17.5	2.26	2.27	19.0	2.42	2.30	24.2	2.93	2.43	29.4	3.38	2.55	33.1	3.68	2.64	34.6	3.80	2.67	39.8	4.17	2.80
	80	13.3	1.73	2.25	16.7	2.10	2.34	18.2	2.25	2.38	23.2	2.70	2.52	28.2	3.11	2.65	31.6	3.38	2.75	33.1	3.49	2.79	38.1	3.82	2.92
1350	60	14.6	1.95	2.19	18.4	2.40	2.26	20.1	2.58	2.29	25.6	3.15	2.39	31.1	3.67	2.49	35.0	4.01	2.55	36.6	4.16	2.58	42.1	4.60	2.68
	70	14.0	1.84	2.24	17.7	2.24	2.32	19.3	2.40	2.36	24.6	2.91	2.47	29.8	3.38	2.59	33.5	3.68	2.67	35.1	3.80	2.71	40.4	4.19	2.82
	80	13.4	1.71	2.30	17.0	2.08	2.39	18.5	2.23	2.43	23.5	2.69	2.56	28.6	3.11	2.69	32.1	3.39	2.78	33.6	3.50	2.82	38.7	3.84	2.95
1500	60	14.7	1.93	2.24	18.6	2.37	2.31	20.3	2.55	2.33	25.9	3.13	2.43	31.5	3.66	2.52	35.4	4.01	2.59	37.1	4.15	2.62	42.6	4.61	2.71
	70	14.2	1.82	2.29	17.9	2.22	2.37	19.5	2.39	2.40	24.9	2.90	2.51	30.2	3.38	2.62	34.0	3.68	2.70	35.6	3.81	2.74	40.9	4.21	2.85
	80	13.6	1.70	2.35	17.2	2.07	2.44	18.7	2.21	2.48	23.8	2.68	2.60	28.9	3.11	2.73	32.5	3.38	2.82	34.0	3.49	2.86	39.1	3.84	2.98

EXPANDED RATINGS Continued

HEATING

PPH2SDX42

		OUTDOOR TEMPERATURE (Deg. F)																							
CFM	Indoor T. Deg.F	10			17			20			30			40			47			50			60		
		MBH	COP	kW	MBH	COP	kW	MBH	COP	kW	MBH	COP	kW	MBH	COP	kW	MBH	COP	kW	MBH	COP	kW	MBH	COP	kW
1250	60	18.08	2.02	2.63	22.49	2.45	2.69	24.37	2.63	2.72	30.67	3.20	2.81	36.96	3.74	2.90	41.36	4.09	2.96	43.25	4.24	2.99	49.54	4.72	3.08
	70	17.38	1.85	2.75	21.64	2.25	2.82	23.47	2.42	2.85	29.56	2.94	2.95	35.65	3.43	3.05	39.91	3.75	3.12	41.74	3.89	3.15	47.83	4.32	3.25
	80	16.82	1.71	2.89	20.93	2.07	2.96	22.69	2.22	2.99	28.55	2.70	3.10	34.42	3.15	3.20	38.52	3.45	3.28	40.28	3.57	3.31	46.15	3.96	3.42
1400	60	18.22	2.00	2.67	22.69	2.44	2.73	24.61	2.62	2.76	30.99	3.20	2.84	37.38	3.75	2.93	41.85	4.11	2.99	43.76	4.26	3.01	50.15	4.75	3.10
	70	17.58	1.85	2.79	21.89	2.25	2.86	23.74	2.41	2.89	29.90	2.94	2.98	36.06	3.44	3.07	40.38	3.77	3.14	42.22	3.91	3.17	48.38	4.35	3.26
	80	16.97	1.70	2.93	21.14	2.07	3.00	22.93	2.22	3.03	28.89	2.71	3.13	34.85	3.16	3.23	39.02	3.47	3.30	40.81	3.59	3.33	46.76	4.00	3.43
1550	60	18.32	1.98	2.71	22.85	2.42	2.77	24.79	2.60	2.80	31.26	3.19	2.88	37.74	3.74	2.96	42.27	4.11	3.02	44.21	4.27	3.04	50.68	4.76	3.12
	70	17.79	1.84	2.84	22.15	2.24	2.90	24.02	2.41	2.92	30.24	2.94	3.01	36.47	3.45	3.10	40.83	3.78	3.16	42.69	3.92	3.19	48.92	4.37	3.28
	80	17.18	1.69	2.98	21.38	2.06	3.04	23.18	2.21	3.07	29.18	2.70	3.16	35.19	3.17	3.26	39.39	3.47	3.32	41.19	3.60	3.35	47.19	4.01	3.45

PPH2SDX48

		OUTDOOR TEMPERATURE (Deg. F)																							
CFM	Indoor T. Deg.F	10			17			20			30			40			47			50			60		
		MBH	COP	kW	MBH	COP	kW	MBH	COP	kW	MBH	COP	kW	MBH	COP	kW	MBH	COP	kW	MBH	COP	kW	MBH	COP	kW
1350	60	19.31	2.12	2.67	24.61	2.55	2.83	26.89	2.72	2.89	34.46	3.24	3.12	42.03	3.70	3.34	47.34	3.98	3.49	49.61	4.09	3.56	57.18	4.44	3.78
	70	18.57	1.94	2.81	23.74	2.34	2.97	25.95	2.50	3.05	33.33	2.98	3.29	40.72	3.39	3.53	45.89	3.64	3.69	48.10	3.75	3.77	55.48	4.06	4.00
	80	18.02	1.79	2.96	23.04	2.15	3.14	25.19	2.30	3.22	32.35	2.73	3.48	39.52	3.10	3.74	44.53	3.33	3.92	46.68	3.43	3.99	53.85	3.71	4.25
1500	60	19.46	2.10	2.72	24.83	2.54	2.87	27.13	2.72	2.93	34.80	3.25	3.14	42.47	3.72	3.35	47.84	4.01	3.50	50.14	4.13	3.56	57.81	4.49	3.78
	70	18.78	1.93	2.85	24.00	2.34	3.01	26.24	2.50	3.08	33.69	2.99	3.31	41.14	3.41	3.54	46.36	3.67	3.70	48.60	3.78	3.77	56.05	4.11	4.00
	80	18.17	1.78	3.00	23.25	2.15	3.18	25.43	2.29	3.25	32.69	2.74	3.50	39.94	3.13	3.75	45.02	3.37	3.92	47.20	3.47	3.99	54.46	3.76	4.24
1650	60	19.52	2.08	2.76	24.96	2.52	2.90	27.29	2.70	2.97	35.06	3.24	3.17	42.83	3.72	3.38	48.27	4.02	3.52	50.60	4.14	3.59	58.37	4.51	3.79
	70	19.00	1.93	2.89	24.26	2.33	3.05	26.52	2.50	3.11	34.03	2.99	3.34	41.55	3.42	3.56	46.81	3.69	3.72	49.06	3.80	3.78	56.58	4.14	4.01
	80	18.37	1.77	3.04	23.49	2.15	3.21	25.68	2.29	3.28	32.99	2.75	3.52	40.29	3.14	3.76	45.41	3.39	3.93	47.60	3.49	4.00	54.90	3.80	4.24

PPH2SDX60

		OUTDOOR TEMPERATURE (Deg. F)																							
CFM	Indoor T. Deg.F	10			17			20			30			40			47			50			60		
		MBH	COP	kW	MBH	COP	kW	MBH	COP	kW	MBH	COP	kW	MBH	COP	kW	MBH	COP	kW	MBH	COP	kW	MBH	COP	kW
1500	60	30.14	2.30	3.83	36.01	2.65	3.99	38.53	2.79	4.05	46.92	3.23	4.27	55.32	3.62	4.48	61.19	3.87	4.63	63.71	3.98	4.70	72.10	4.30	4.91
	70	29.19	2.07	4.14	34.97	2.39	4.29	37.45	2.52	4.36	45.71	2.93	4.57	53.96	3.30	4.79	59.74	3.55	4.94	62.22	3.64	5.01	70.48	3.96	5.22
	80	28.71	1.88	4.47	34.34	2.18	4.63	36.75	2.30	4.69	44.79	2.67	4.92	52.83	3.01	5.14	58.46	3.23	5.30	60.88	3.32	5.37	68.92	3.61	5.59
1700	60	30.42	2.31	3.86	36.38	2.66	4.00	38.93	2.81	4.06	47.44	3.26	4.27	55.95	3.67	4.47	61.91	3.94	4.61	64.46	4.05	4.67	72.97	4.39	4.88
	70	29.55	2.08	4.16	35.39	2.41	4.30	37.89	2.55	4.36	46.23	2.97	4.57	54.56	3.36	4.77	60.40	3.61	4.91	62.90	3.71	4.97	71.24	4.04	5.17
	80	28.93	1.89	4.50	34.64	2.19	4.64	37.08	2.31	4.70	45.24	2.70	4.91	53.40	3.06	5.11	59.11	3.30	5.25	61.56	3.40	5.32	69.72	3.70	5.52
1900	60	30.43	2.29	3.89	36.50	2.66	4.03	39.10	2.80	4.09	47.77	3.27	4.29	56.44	3.69	4.48	62.51	3.97	4.62	65.11	4.08	4.68	73.78	4.43	4.88
	70	29.92	2.09	4.20	35.80	2.42	4.33	38.32	2.56	4.39	46.72	2.99	4.58	55.12	3.39	4.77	61.00	3.65	4.90	63.52	3.76	4.96	71.92	4.10	5.15
	80	29.24	1.89	4.53	35.00	2.20	4.66	37.46	2.33	4.72	45.69	2.73	4.91	53.91	3.10	5.10	59.67	3.35	5.23	62.14	3.45	5.29	70.36	3.77	5.47



MAYTAG

Before purchasing this appliance, read important energy cost and efficiency information available from your retailer. Specifications and illustrations subject to change without notice and without incurring obligations.

Manufactured under license by NORDYNE, O'Fallon, MO. ®Registered Trademark/™ Trademark of Maytag Corporation or its related companies. ©2014. All rights reserved.

780C-1014 (Replaces 780C-0514)

Printed in U.S.A. (10/14)