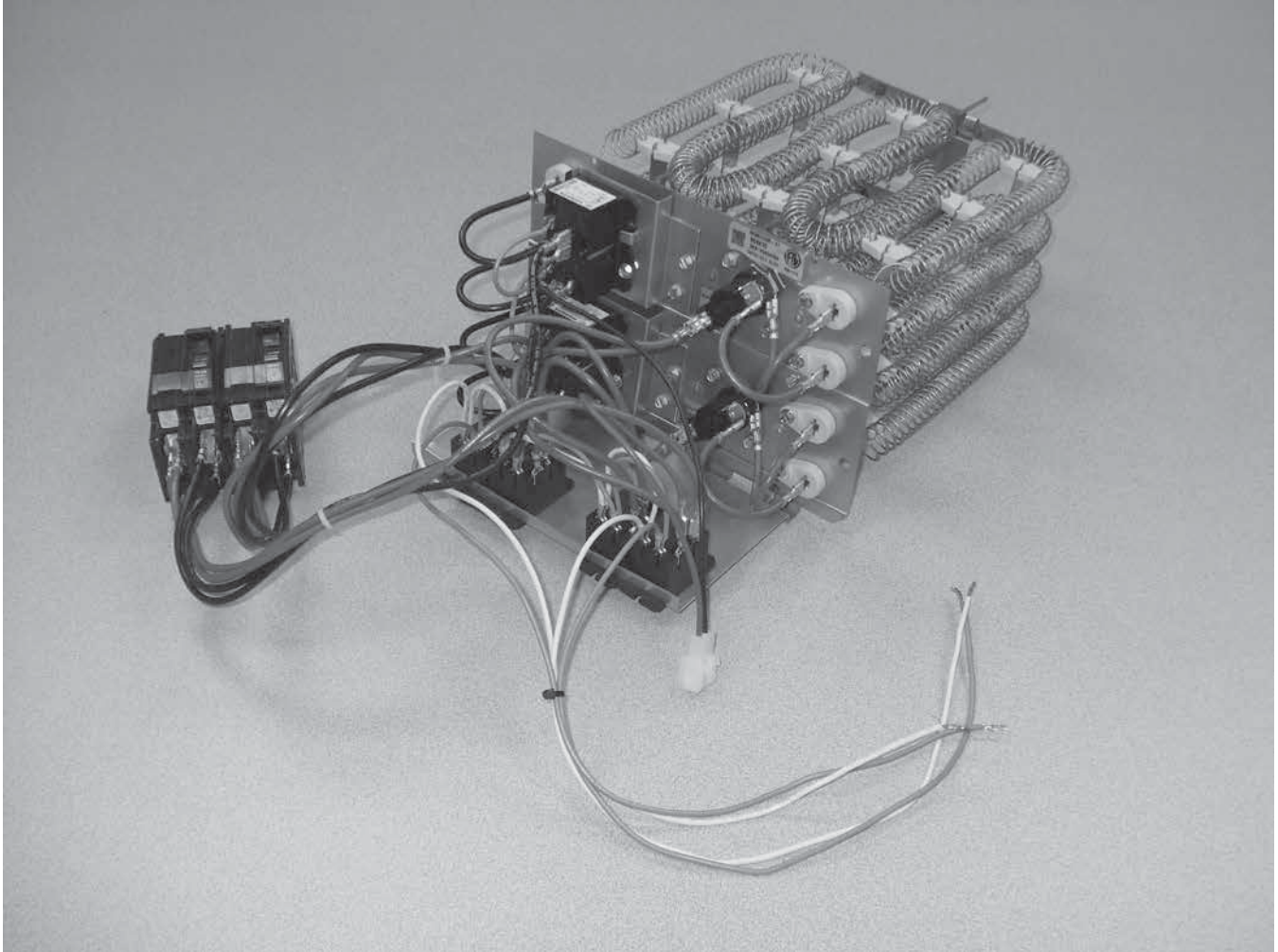


H8HK SERIES ELECTRIC HEATER KIT

INSTALLATION INSTRUCTIONS

INSTALLATION IN STANDARD & VARIABLE SPEED INDOOR AIR HANDLERS



IMPORTANT

ATTENTION INSTALLERS:

These instructions are primarily intended to assist qualified individuals experienced in the proper installation of heating and/or air conditioning appliances. Some local codes require licensed installation/service personnel for this type equipment. All installations must be in accordance with these instructions and with all applicable national and local codes and standards.

Read these instructions thoroughly before starting the installation. Follow all precautions and warnings contained within these instructions and on the unit. The instructions included with this heater kit are for installations in air handlers only.

DO NOT DESTROY. PLEASE READ CAREFULLY & KEEP IN A SAFE PLACE FOR FUTURE REFERENCE.

TABLE OF CONTENTS

| | |
|--|----|
| IMPORTANT SAFETY INFORMATION | 2 |
| GENERAL INFORMATION | 2 |
| About the heater kit..... | 2 |
| Clearances to Combustibles..... | 3 |
| Standard Air Handlers | 3 |
| Variable Speed Air Handlers | 3 |
| ELECTRICAL SUPPLY | 3 |
| Power Wiring..... | 3 |
| ELEMENT INSTALLATION | 3 |
| Electric Heater Kits with Circuit Breakers | 3 |
| 5, 8, & 10 kw Electric Heater Kits | 4 |
| 15, 20, 24, & 29 kw Electric Heater Kits | 4 |
| 3-Phase 9 & 15 kw electric heater kits..... | 4 |
| Line Cover | 4 |
| Electric Heater Kits without Circuit Breakers | 4 |
| Staged Heat..... | 4 |
| MOTOR SPEED SELECTION | 4 |
| Standard Air Handlers | 4 |
| Standard 3 Speed Motors..... | 4 |
| Standard C-Cabinets | 4 |
| Variable Speed Air Handlers | 4 |
| FIGURES & TABLES | 5 |
| Figure 1. Heater Kit Identification Code..... | 5 |
| Figure 2. Sample Installation | 5 |
| Figure 3. Installation of Circuit Breakers..... | 5 |
| Figure 5. Line Cover Installed..... | 5 |
| Figure 4. Line Cover | 5 |
| Figure 6. Circuit Breaker Bracket with Terminal Block Installed | 5 |
| Table 1. Blower Heating Speed | 6 |
| Table 2. HMG Cabinet Sizes | 6 |
| Table 3. Electrical Ratings | 6 |
| Figure 7. H8HK Heater Kit Installation..... | 6 |
| Wiring Diagrams | 7 |
| Figure 8. Single Phase, 3kW & 5 kw W.D. | 7 |
| Figure 9. Single Phase, 8kw & 10 kw W.D. | 8 |
| Figure 10. Single Phase, 15 kw W.D. | 9 |
| Figure 11. Single Phase, 20 kw WD | 10 |
| Figure 12. Single Phase, 25 kw WD | 11 |
| Figure 13. Single Phase, 30 kw W.D. | 12 |
| Figure 14. 3-Phase, 9kw & 15kw W.D. | 13 |
| Figure 15. 3-Phase, 460V W.D. | 14 |

IMPORTANT SAFETY INFORMATION

INSTALLER: Please read all instructions before servicing this equipment. Pay attention to all safety warnings and any other special notes highlighted in the manual. Safety markings are used frequently throughout this manual to designate a degree or level of seriousness and should not be ignored. **WARNING** indicates a potentially hazardous situation that if not avoided, could result in personal injury or death. **CAUTION** indicates a potentially hazardous situation that if not avoided, may result in minor or moderate injury or property damage.

WARNING:

ELECTRICAL SHOCK, FIRE OR EXPLOSION HAZARD

Failure to follow safety warnings exactly could result in serious injury or property damage.

Improper servicing could result in dangerous operation, serious injury, death or property damage.

- **Before servicing, disconnect all electrical power to the unit.**
 - **When servicing controls, label all wires prior to disconnecting. Reconnect wires correctly.**
 - **Verify proper operation after servicing.**
-

GENERAL INFORMATION

About the heater kit

H8HK Series electric heater kit is approved for field installation in B5, B6, MB7, HMG, HMB, & HCG, air handlers. All sizes are available with factory-provided circuit-breakers for short circuit protection and to provide a disconnecting means. Also available are 5, 8, and 10 kw electric heater kits without circuit-breakers. Refer to the National Electric Code (ANSI/NFPA 70) and applicable local codes for over-current protection and disconnect requirements.

NOTES:

- The 20, 24, and 29 kw electric heater kits are NOT approved for installation in A-cabinet air handlers. The 24 & 29 Kw kits are for B6, MB7, HMG, HMB, & HCG C-cabinet air handlers. For all heater kit applications, use [Table 1](#), [Table 2](#), [Table 3](#) (page 6), and [Figure 1](#) (page 5).
- These instructions are written assuming the air handler is in the upflow position (outlet facing up). For horizontal and downflow applications, it is recommended that the electric heater kit be installed prior to installation of the air handler.
- Use caution when handling or installing this component. Personal injury can occur from sharp metal edges present in all sheet metal constructed equipment.
- 460V heater kits are only approved for use in the 460V MB7 (C-cabinet) air handler.

Clearances to Combustibles

Standard Air Handlers

All installations of H8HK electric heater kits in standard air handlers are approved for zero-clearance to combustibles when the minimum electric heat airflow is set as directed in these instructions.

Variable Speed Air Handlers

All installations of H8HK electric heater kits in variable speed air handlers are approved for zero-clearance to combustibles when the minimum electric heat airflow is set as directed in these instructions.

ELECTRICAL SUPPLY

- All electrical connections must be in compliance with all applicable local codes with the current revision of the National Electric Code (ANSI/NFPA 70). For Canadian installations the electrical connections and grounding shall comply with the current Canadian Electrical Code (CSA C22.1 and/or local codes).
- If the air handler was previously installed without electric heat, the existing supply wiring may not be sufficient to carry the increased load. If installing electric heat in the air handler, the supply wiring can be aluminum or copper. The supplied circuit breakers and terminal blocks are approved for either wire type. Make sure to follow all of the rating information on the circuit breaker or terminal block and that the supply wiring is sized according to the current NEC codes and any other state or local codes. See the rating label or [Table 3 \(page 6\)](#) for minimum circuit ampacities and maximum overcurrent protection.
- All heater kits are supplied from the factory configured for use with one or more supply circuits. 5 & 10 kw heater kits are configured for use with a single supply circuit (Circuit A). 15 & 20 kW heater kits are configured for use with 2 circuits (Circuit A & Circuit B). 24 & 29 kW heater kits are configured for use with 3 circuits (Circuit A, Circuit B, & Circuit C). See [Table 3](#) for additional information. **NOTE:** If a single supply is desired, accessory kit #913874 is required to convert to single circuit connection.

Power Wiring

All wiring must comply with the current revision of the National Electric Code and must be sized for the minimum ampacities as listed on the unit data label or in [Table 3](#). Refer to [Figure 8 \(page 7\)](#), [Figure 9 \(page 8\)](#), [Figure 10 \(page 9\)](#), [Figure 11 \(page 10\)](#), [Figure 12 \(page 11\)](#), [Figure 13 \(page 12\)](#), & [Figure 14 \(page 13\)](#) for proper connections.

If a single circuit adaptor kit is used it may need to be re-configured for some applications. Remove the single circuit adaptor kit cover and verify that the lugs are configured correctly for the application. If the lugs are not configured for the application, reference the instructions included with the kit and modify the configuration. Install the single circuit adaptor kit (if used) in the line side ("on" end) of the circuit breakers. Tighten the lugs securely (45 in-lbs recommended).

Connect the supply wiring to the circuit breaker(s), single circuit adaptor kit, or terminal block. Tighten the lugs securely.

When using multiple supply circuits verify that the supply sized for circuit "A" is connected to the circuit breaker that is connected to the top element assembly.

Install metal circuit breaker line cover on the left side of the circuit breaker to cover the supply wires.

ELEMENT INSTALLATION

1. Set the thermostat to the lowest temperature setting.
2. Turn off all electrical power to the air handler.
3. Remove the upper access door from the air handler.
4. Remove the screws securing the upper element close-off plate from the back of the air handler control box.
5. Remove the element close-off plate and set the screws aside. Do not discard the screws. **NOTE:** For 2-tiered electric heater kits, remove two close-off plates. For 3-tiered electric heater kits remove all 3 close-off plates. The close off plates should be removed from the bottom up in ascending order.
6. Insert the element assembly into the opening in the air handler control box being careful not to damage the element wire or the ceramic element supports. **NOTE:** Heating element alignment rods will slide into alignment holes in the back of the air handler element box.
7. Secure the element assembly to the back of the air handler control box with the screws removed in step 4.
 - For 15, 20, 24, or 29 kw Heater Kits the AC relay bracket also needs to be installed.
 - a.) Place the AC relay bracket below the bottom element plate so the back edge is behind the element plate.
 - b.) Line up the slot hole on the bracket with the half hole on the element plate. See [Figure 7 \(page 6\)](#).
8. **Single Stage Board:** Connect the **W** wires from the control board (**white**), AC relay (**white**) and the **W** wire from the thermostat with one of the supplied wire nuts. Connect the **C** wires from the board (**grey**), AC relay (**grey**) and **C** wire (if supplied) from the thermostat with one wire nut. **Two-Stage Board:** Place the **W1** wire from the thermostat and the **white** wire from the AC relay under the **W1** screw terminal on the board. Place the **C** wire from the thermostat (if present) and the **grey** wire from the AC relay underneath the **C** terminal on the control board.
9. Connect the 2-Pin Power plug from the element assembly into the unit's 2-Pin power plug. Connect the 7-Pin Harness from the element assembly to the unit's circuit board.

NOTE: A wiring diagram and a rating label are supplied with the electric heater kit. Affix the wiring diagram to the blower housing.

- When installing the electric heater kit into a standard air handler, affix the supplied rating label over the electrical data section of the air handler unit data label located on the lower access door.
 - When installing the electric heater kit into a variable speed air handler, the rating label supplied with the kit will NOT be used. Check the appropriate block on the air handler ratings label located on the lower access door.
8. Install the circuit breaker bracket inside of the air handler. Position the tab on the bottom of the bracket into the slot of the control panel box. See [Figure 2 \(page 5\)](#) for proper location of bracket.
 9. Slide the bracket forward and align the screw holes with the holes in the bottom of the control panel box. Secure the bracket to the air handler with the supplied screws.

Electric Heater Kits with Circuit Breakers

NOTE 1: Circuit breakers supplied with the H8HK electric heater kit are for short-circuit protection of the internal wiring and to serve as a unit disconnect. They DO NOT provide over-current protection of the supply wiring. Over-current protection of the supply wiring must be provided at the

distribution panel and sized as shown in [Table 3 \(page 6\)](#) or the unit data label, and in accordance with the NEC and all applicable local codes.

NOTE 2: In some cases, the over-current protection specified in [Table 3](#) (or the unit data label) is less than the 60 amp rating of the circuit breakers used in the H8HK electric heater kit. This difference may occur if the function of the over-current protection required at the distribution panel (field supplied) and the function of the circuit breakers in the H8HK electric heater kit are different.

5, 8, & 10 kw Electric Heater Kits

1. Snap the circuit breaker onto the circuit breaker bracket. The circuit breaker must be positioned with the 1/4" tab terminals to the right as shown in [Figure 3 \(page 5\)](#).
2. Remove the lower circuit breaker knockout from the air handler upper access door.

15, 20, 24, & 29 kw Electric Heater Kits

NOTE 1: The heavy red and black supply leads are bundled by circuit with wire ties at the factory. The bundle coming from the top element tier is circuit "A".

NOTE 2: The element assembly is right-side-up when the limits are on the right side). The bundle coming from the second element tier is circuit "B". The bundle coming from the bottom element tier is circuit "C".

1. Snap the circuit breaker onto the circuit breaker bracket. The circuit breaker must be positioned with the 1/4" tab terminals to the right as shown in [Figure 3 \(page 5\)](#)
2. Remove all necessary circuit breaker knockouts in the air handler upper access door.

3-Phase 9 & 15 kw electric heater kits

1. Snap the 3-pole circuit breaker onto the circuit breaker bracket. The circuit breaker must be positioned with the 1/4" tab terminals to the right as shown in [Figure 3 \(page 5\)](#).
2. Remove the bottom two circuit breaker knockouts in the air handler upper access door.

Line Cover

Heater Kits with circuit breakers are supplied with a line cover shown in [Figure 4 \(page 5\)](#). The line cover is required by code in order to protect installers from the line/supply wiring. The line cover should be installed as shown in [Figure 5 \(page 5\)](#).

Electric Heater Kits without Circuit Breakers

1. Attach the supplied power terminal block to the circuit breaker bracket with the supplied screws as shown in [Figure 6 \(page 5\)](#).
2. Using the 1/4" terminals, connect the red supply wire(s) from the element assembly to one pole of the terminal block and connect the black wires to the other pole.

Staged Heat

All Single-phase heater kits are internally staged using B5, B6, HMG and HMB air handler circuit board logic. B5 air handlers may stage the heater kit with a slow or fast timed option. B6 single stage air handlers will not stage the heater kit. B6 two-stage air handlers may stage the heat Kw turned on with either a low or high heat call. All 3-phase heater kits are not equipped for internal staging. Refer to the installation instructions supplied with the air handler for additional staging information.

MOTOR SPEED SELECTION

Standard Air Handlers

The blower speed is preset at the factory for operation at the same speed for heating and cooling, by using the blower motor jumpering terminal on the blower motor and connecting it to the desired speed with both the red and black wires connected to the jumpering terminal. For optimum system performance and comfort, it may be necessary to change the factory set speed. To change the blower speed:

WARNING:

To avoid the risk of electric shock, personal injury, or death, disconnect all electrical power to the unit before performing any maintenance or service. The unit may have more than one electrical power supply.

1. Disconnect all electrical power to the unit and remove the upper door.
2. Remove the black and red wires from the blower motor jumping terminal.
3. Connect the heating speed wire (red) and the cooling speed wire (black) to the desired blower speed marked on the terminal block of the blower motor. If needed, re-use the motor jumping terminal.

IMPORTANT NOTE

After changing the blower speed setting, make sure to bundle and insulate any unused blower motor leads so that they will not make contact with the air handler cabinet or non-insulated live parts.

Standard 3 Speed Motors

Terminal 4 = Hi speed
Terminal 5 = Med speed
Terminal 6 = Low speed

Standard C-Cabinets

Terminal M1 = Low speed
Terminal M2 = Medium Low speed
Terminal M3 = Medium speed
Terminal M4 = Medium Hi speed
Terminal M5 = Hi speed.

High speed operation may be required when using a 20, 24, or 29 kw electric heater kit in a downflow application. Also see Clearances to Combustibles ([page 3](#)).

4. Replace the upper door and secure it to the unit.
5. Restore power to the unit.

Variable Speed Air Handlers

The minimum electric heat airflow is selected by setting switches on the air handler circuit board. Selecting the minimum electric heat airflow sets the minimum air flow that will be produced whenever electric heater kits are energized. When the electric heater kits are energized along with a heat pump, the airflow may be higher depending on the basic cooling/heat-pump airflow setting. Reference the installation instructions supplied with the air handler for additional airflow information.

FIGURES & TABLES

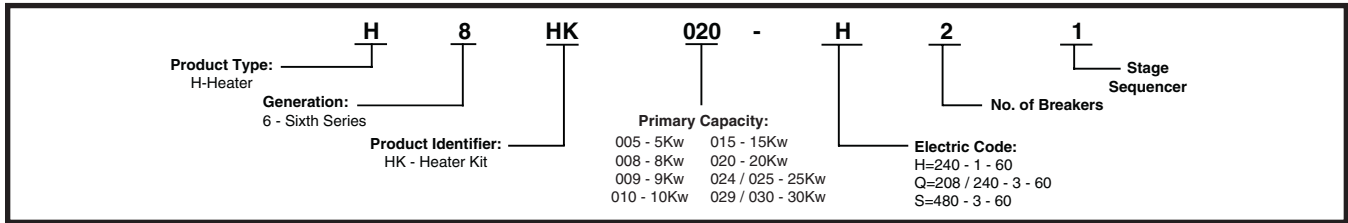
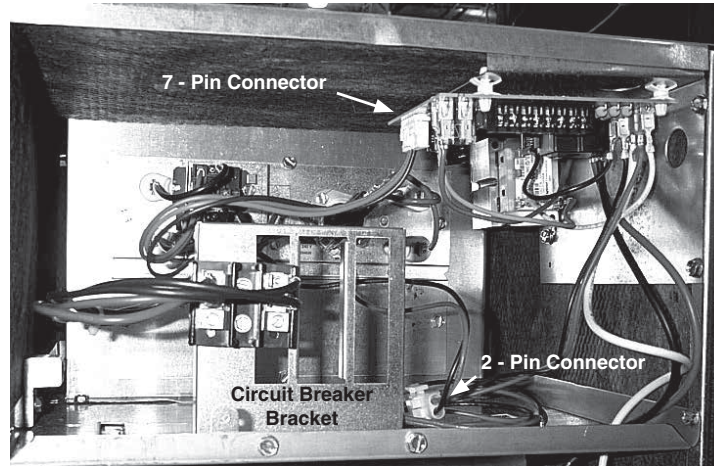


Figure 1. Heater Kit Identification Code



**Figure 2. Sample Installation
(shown with access door removed)**

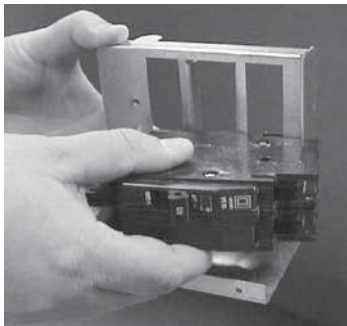


Figure 3. Installation of Circuit Breakers



Figure 4. Line Cover

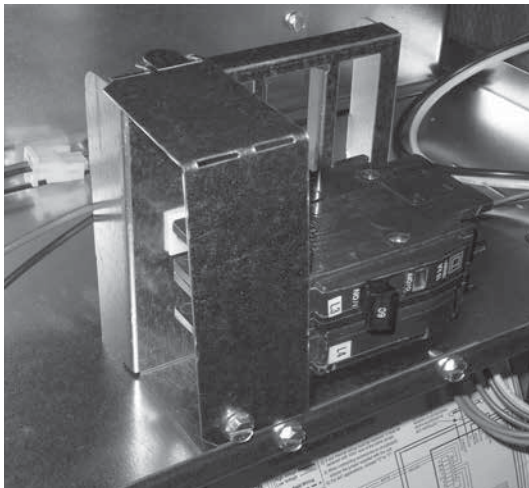
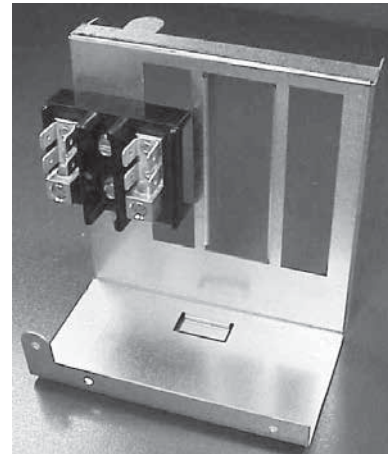


Figure 5. Line Cover Installed



**Figure 6. Circuit Breaker Bracket with
Terminal Block Installed**

| MODEL H8HK- | CABINET SIZE | | | MINIMUM REQUIRED BLOWER HEATING SPEED | | |
|-------------|--------------|---|---|---------------------------------------|------------|----------|
| | A | B | C | UPFLOW | HORIZONTAL | DOWNFLOW |
| 005H | X | X | X | LOW | LOW | LOW |
| 008H | X | X | X | LOW | LOW | LOW |
| 010H | X | X | X | LOW | LOW | LOW |
| 015H | X | X | X | LOW | LOW | MED |
| 020H | | X | X | LOW | LOW | HIGH |
| 024H | | X | X | MED | MED | HIGH |
| 029H | | | X | MED | MED | N/A |
| 009Q | | X | X | LOW | LOW | LOW |
| 015Q | | X | X | LOW | LOW | MED |
| 009S | | | X | 1150 CFM | 1150 CFM | 1150 CFM |
| 015S | | | X | 1400 CFM | 1400 CFM | 1400 CFM |

(1) Only on *30 (2.5 Ton) model air handlers

Table 1. Blower Heating Speed

| MODEL | CABINET SIZE |
|------------|--------------|
| H(M,C)G024 | A |
| H(M,C)G030 | A |
| H(M,C)G036 | B |
| H(M,C)G042 | B |
| H(M,C)G048 | C |
| H(M,C)G060 | C |

Table 2. HMG Cabinet Sizes

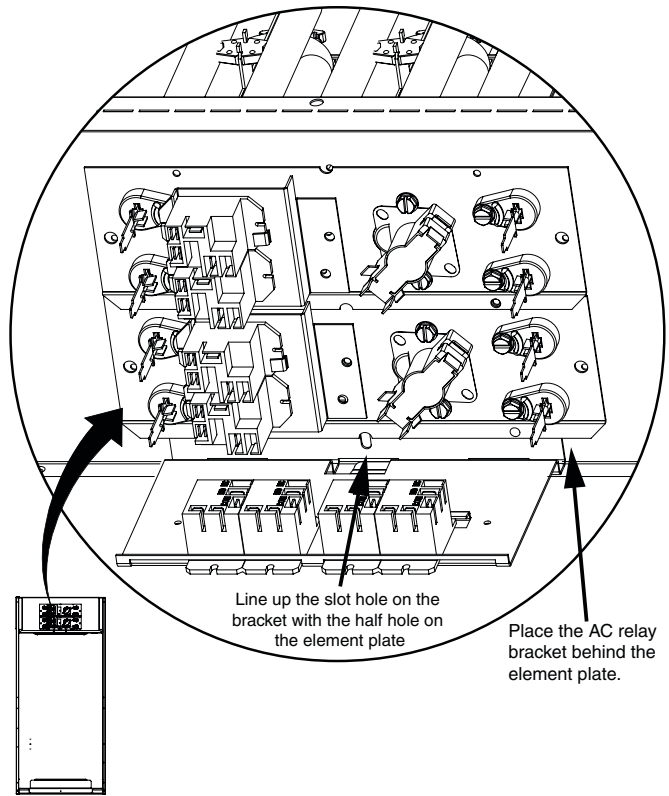


Figure 7. H8HK Heater Kit Installation

| MODEL NUMBER H8HK- | VOLTAGE | KW | STANDARD AIR HANDLER (A & B SIZE) | | | | | | | | VARIABLE SPEED & STANDARD AIR HANDLER (C SIZE) | | | | | | | |
|--------------------|---------|------|-----------------------------------|-----------|-----------|----------------|------------------------------------|-----------|-----------|----------------|--|-----------|-----------|----------------|------------------------------------|-----------|-----------|----------------|
| | | | MINIMUM CIRCUIT AMPACITY | | | | MAX. OVER-CURRENT CIRCUIT AMPACITY | | | | MINIMUM CIRCUIT AMPACITY | | | | MAX. OVER-CURRENT CIRCUIT AMPACITY | | | |
| | | | CIRCUIT A | CIRCUIT B | CIRCUIT C | SINGLE CIRCUIT | CIRCUIT A | CIRCUIT B | CIRCUIT C | SINGLE CIRCUIT | CIRCUIT A | CIRCUIT B | CIRCUIT C | SINGLE CIRCUIT | CIRCUIT A | CIRCUIT B | CIRCUIT C | SINGLE CIRCUIT |
| 005H-XX | 240 | 4.8 | - | - | - | 30 | - | - | - | 30 | - | - | - | 34 | - | - | - | 40 |
| 008H-XX | 240 | 7.5 | - | - | - | 45 | - | - | - | 50 | - | - | - | 48 | - | - | - | 50 |
| 010H-XX | 240 | 9.6 | - | - | - | 55 | - | - | - | 60 | - | - | - | 59 | - | - | - | 60 |
| 015H-XX | 240 | 14.4 | 55 | 25 | - | 80 | 60 | 30 | - | 90 | 59 | 25 | - | 83 | 60 | 30 | - | 90 |
| 020H-XX | 240 | 19.2 | 55 | 50 | - | 105 | 60 | 60 | - | 125 | 59 | 50 | - | 109 | 60 | 60 | - | 125 |
| 024H-XX | 240 | 24.0 | - | - | - | - | - | - | - | - | 59 | 50 | 25 | 134 | 60 | 60 | 30 | 150 |
| 029H-XX | 240 | 28.8 | - | - | - | - | - | - | - | - | 59 | 50 | 50 | 159 | 60 | 60 | 60 | 175 |
| 005H-XX | 208 | 3.6 | - | - | - | 27 | - | - | - | 30 | - | - | - | 30 | - | - | - | 40 |
| 008H-XX | 208 | 5.6 | - | - | - | 39 | - | - | - | 40 | - | - | - | 42 | - | - | - | 50 |
| 010H-XX | 208 | 7.2 | - | - | - | 48 | - | - | - | 50 | - | - | - | 52 | - | - | - | 60 |
| 015H-XX | 208 | 10.8 | 48 | 21 | - | 70 | 50 | 25 | - | 80 | 52 | 22 | - | 73 | 60 | 25 | - | 80 |
| 020H-XX | 208 | 14.4 | 48 | 43 | - | 92 | 50 | 50 | - | 100 | 52 | 43 | - | 95 | 60 | 50 | - | 100 |
| 024H-XX | 208 | 18.0 | - | - | - | - | - | - | - | - | 52 | 43 | 22 | 117 | 60 | 50 | 25 | 125 |
| 029H-XX | 208 | 21.6 | - | - | - | - | - | - | - | - | 52 | 43 | 43 | 138 | 60 | 50 | 50 | 150 |
| 009Q-XX | 240 | 9.0 | - | - | - | 32 | - | - | - | 40 | - | - | - | 36 | - | - | - | 40 |
| 015Q-XX | 240 | 14.4 | - | - | - | 48 | - | - | - | 50 | - | - | - | 52 | - | - | - | 60 |
| 009Q-XX | 208 | 6.8 | - | - | - | 29 | - | - | - | 30 | - | - | - | 32 | - | - | - | 40 |
| 015Q-XX | 208 | 10.8 | - | - | - | 43 | - | - | - | 50 | - | - | - | 46 | - | - | - | 50 |
| 009S-XX | 460 | - | - | - | - | - | - | - | - | - | - | - | 19 | - | - | - | 20 | - |
| 015S-XX | 460 | - | - | - | - | - | - | - | - | - | - | - | 28 | - | - | - | 30 | - |

Table 3. Electrical Ratings

Wiring Diagrams

WIRING DIAGRAM

NOTES:

1. If any of the original wire supplied with this unit must be replaced, it must be replaced with wiring material of the same gauge size and temperature rating.
2. The installation of this heater kit may require a change in the blower speed tap connection. See Installation Instructions for details.
3. Use copper conductors with a minimum temperature rating of 60°C for supply connections.

H8HK005H-01 (with circuit breaker)
H8HK005H-11 (without circuit breaker)

3 kW, 5 kW, 1-Phase Electric Heater Kit

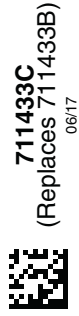
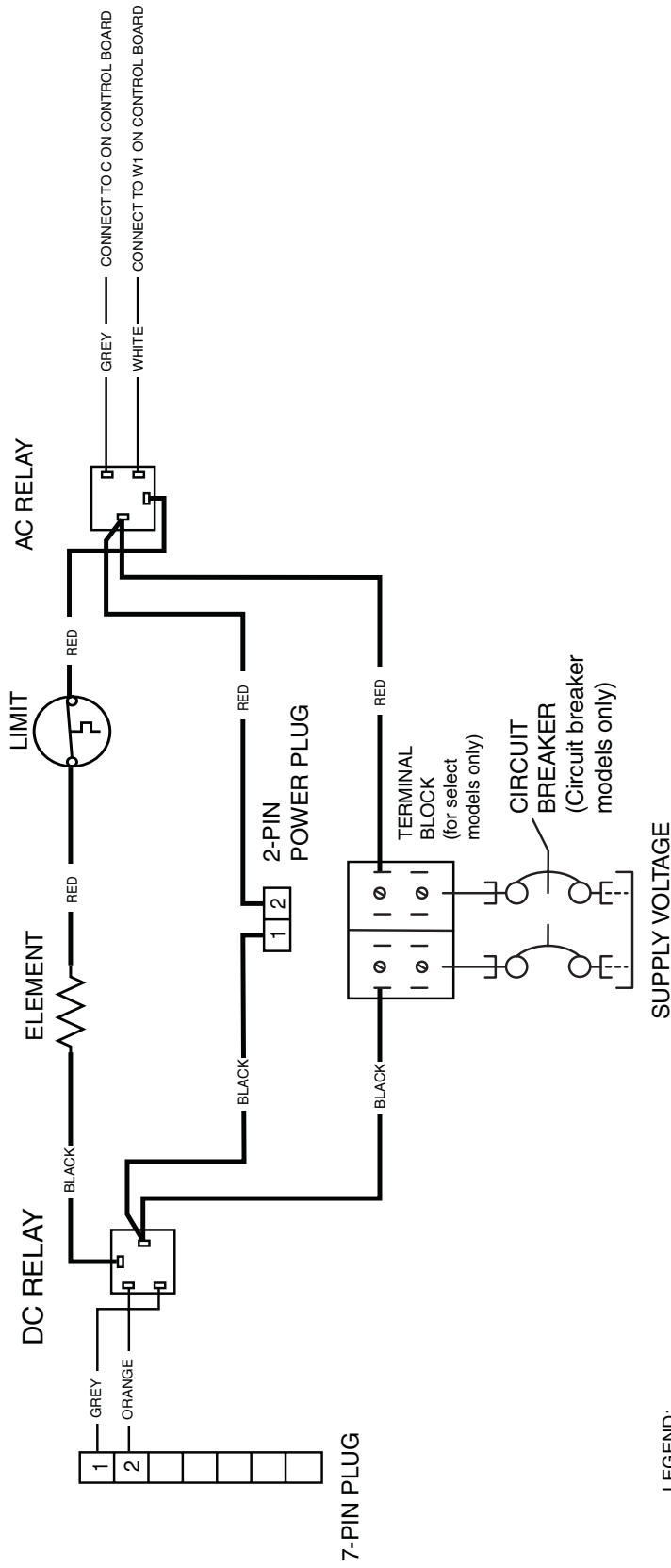


Figure 8. Single Phase, 3kW & 5 kW W.D.
(Air Handler with Circuit Breaker(s))

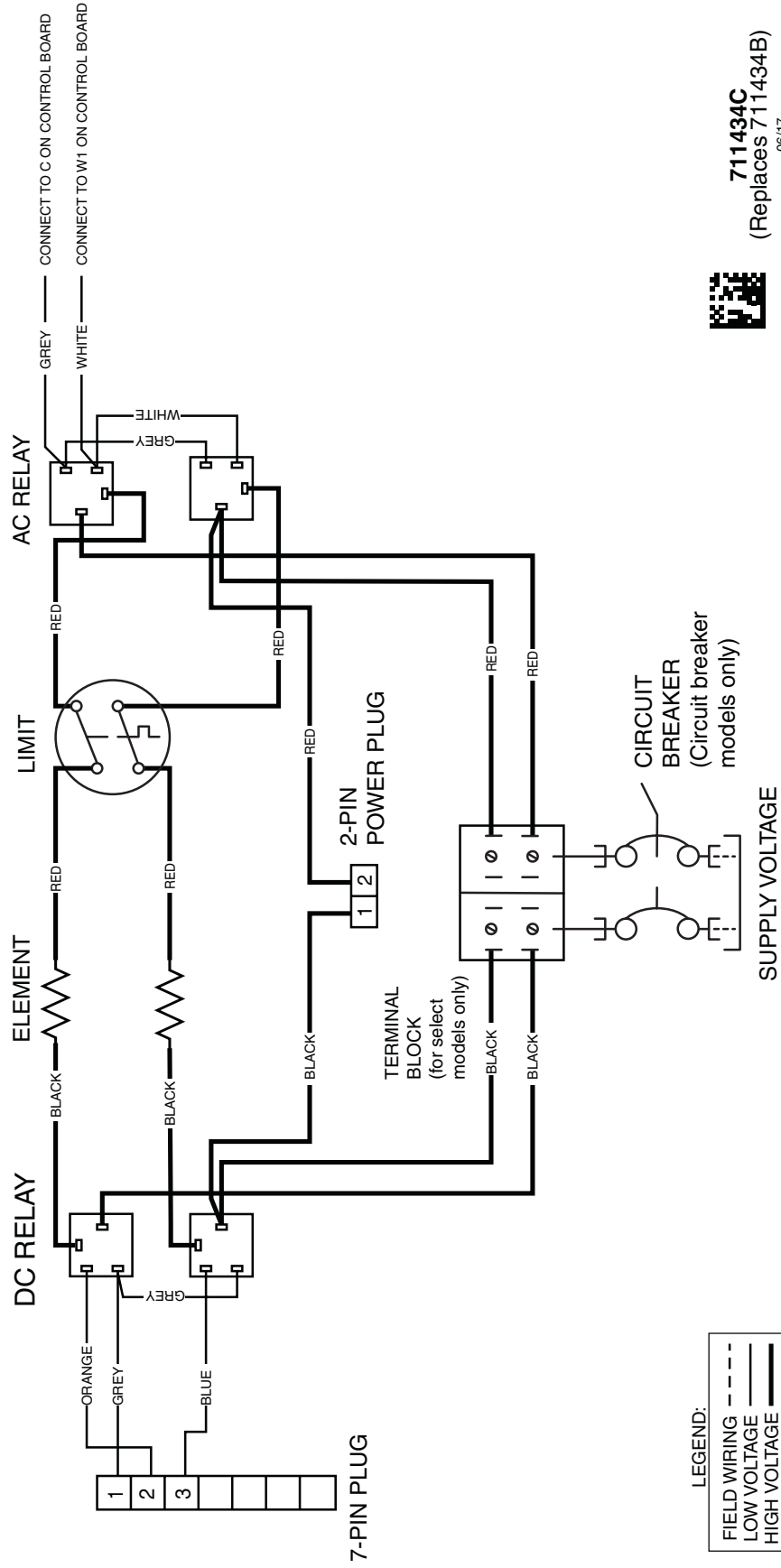
WIRING DIAGRAM

NOTES:

1. If any of the original wire supplied with this unit must be replaced, it must be replaced with wiring material of the same gauge size and temperature rating.
2. The installation of this heater kit may require a change in the blower speed tap connection. See Installation Instructions for details.
3. Use copper conductors with a minimum temperature rating of 60°C for supply connections.

8kW, 10kW, 1-Stage, 240 VAC, 1-Phase Electric Heater Kit

- H8HK008H-01 (without circuit breaker)
- H8HK008H-11 (with circuit breaker)
- H8HK010H-11 (with circuit breaker)
- H8HK010H-01 (without circuit breaker)



LEGEND:

- FIELD WIRING (dashed line)
- LOW VOLTAGE (solid line)
- HIGH VOLTAGE (thick solid line)

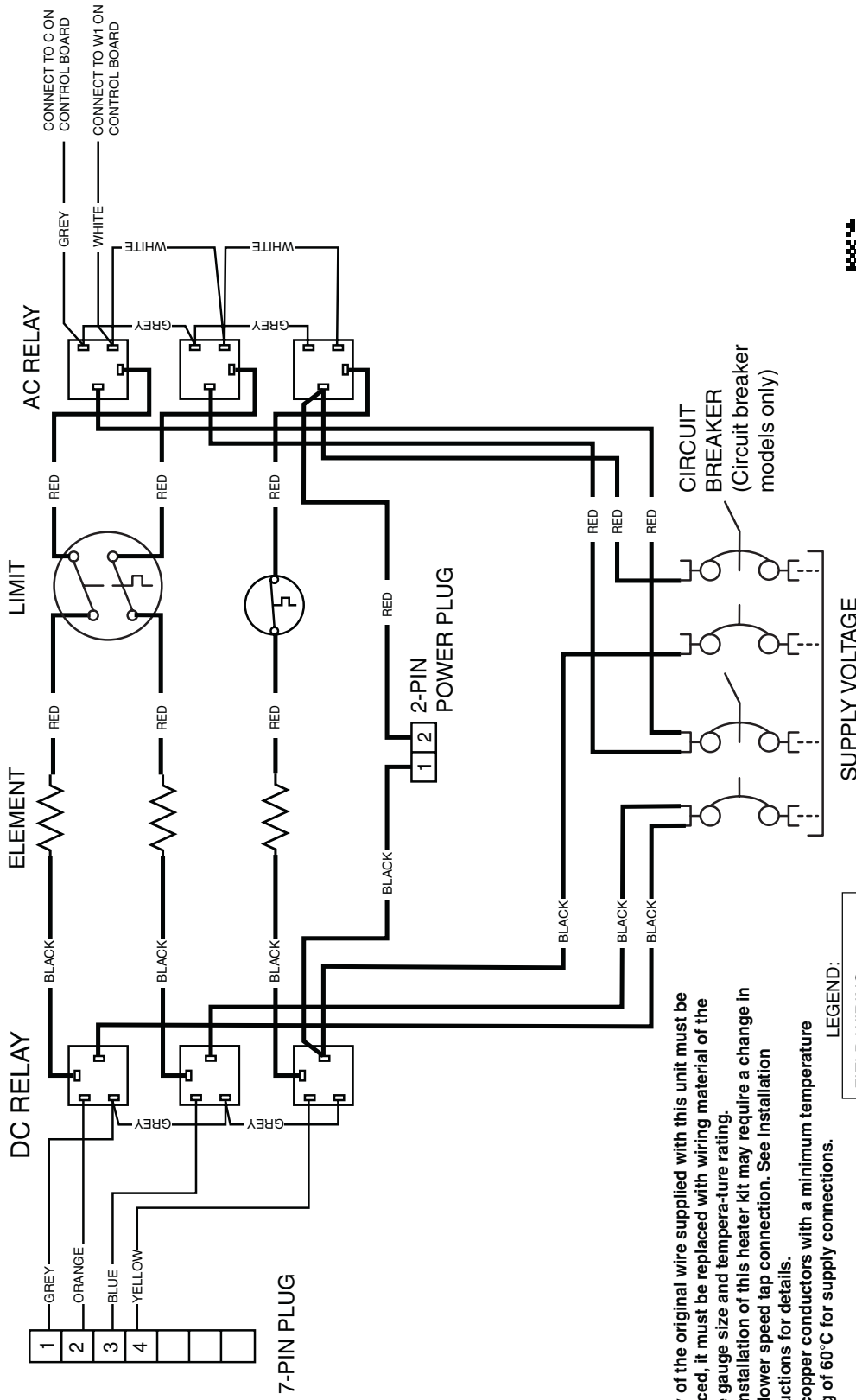


711434C
(Replaces 711434B)
06/17

Figure 9. Single Phase, 8kw & 10 kw W.D.
(Air Handler with Circuit Breaker(s))

WIRING DIAGRAM

H8HK015H-21 (with circuit breaker) 15kW, 240 VAC, 1-Phase Electric Heater Kit



711435C
(Replaces 711435B)
06/17



- NOTES:**
1. If any of the original wire supplied with this unit must be replaced, it must be replaced with wiring material of the same gauge size and temperature rating.
 2. The installation of this heater kit may require a change in the blower speed tap connection. See Installation Instructions for details.
 3. Use copper conductors with a minimum temperature rating of 60°C for supply connections.

LEGEND:

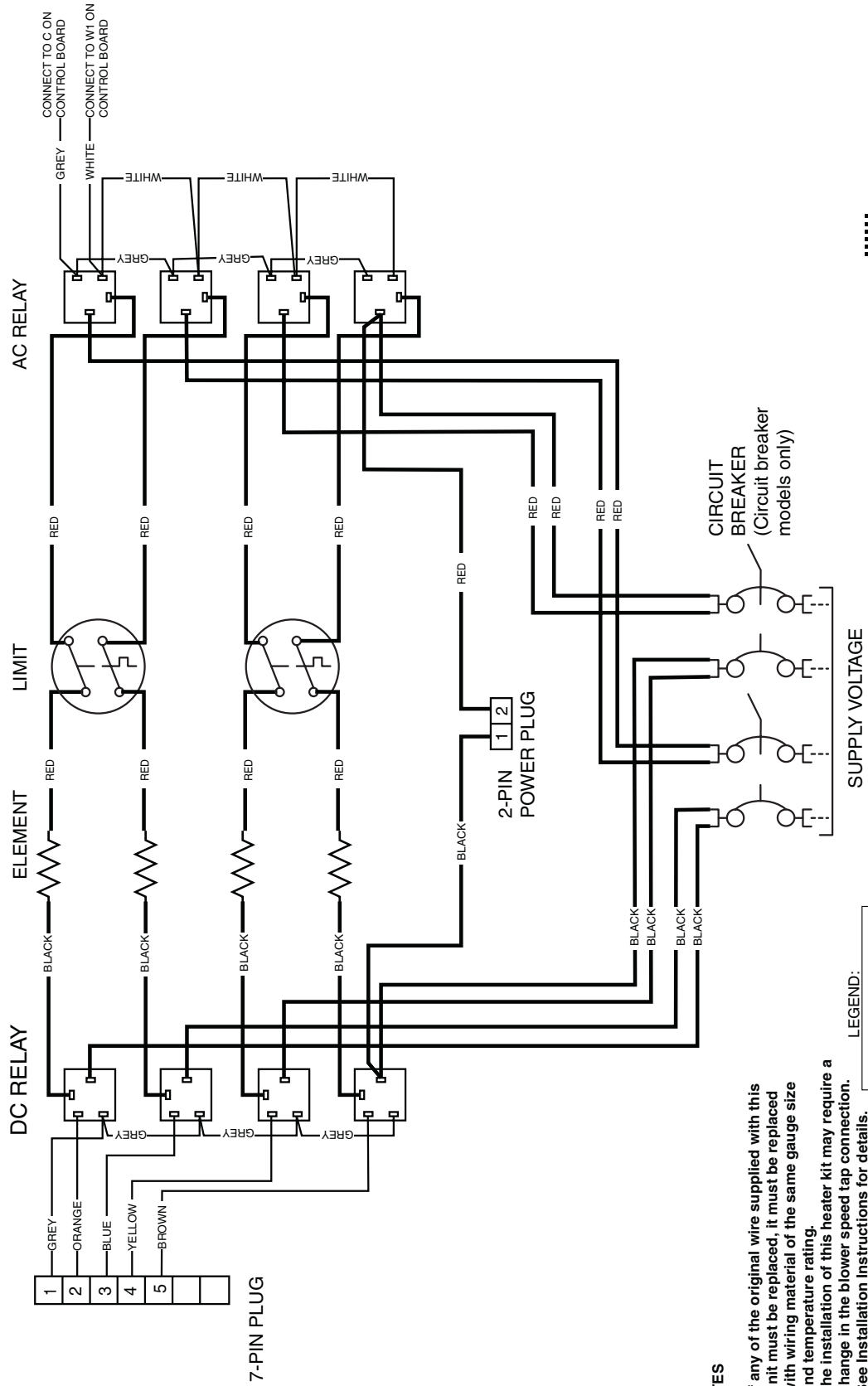
| | |
|--------------|-----------|
| FIELD WIRING | --- |
| LOW VOLTAGE | — — — — — |
| HIGH VOLTAGE | ————— |

Figure 10. Single Phase, 15 kw W.D. (Air Handler with Circuit Breaker(s))

WIRING DIAGRAM

H8HK020H-21 (with circuit breaker)

20 kW, 240 VAC, 1-Phase Electric Heater Kit



711436C
(Replaces 711436B)

06/17

NOTES

1. If any of the original wire supplied with this unit must be replaced, it must be replaced with wiring material of the same gauge size and temperature rating.
2. The installation of this heater kit may require a change in the blower speed tap connection. See Installation Instructions for details.
3. Use copper conductors with a minimum temperature rating of 60°C for supply connections.

LEGEND:

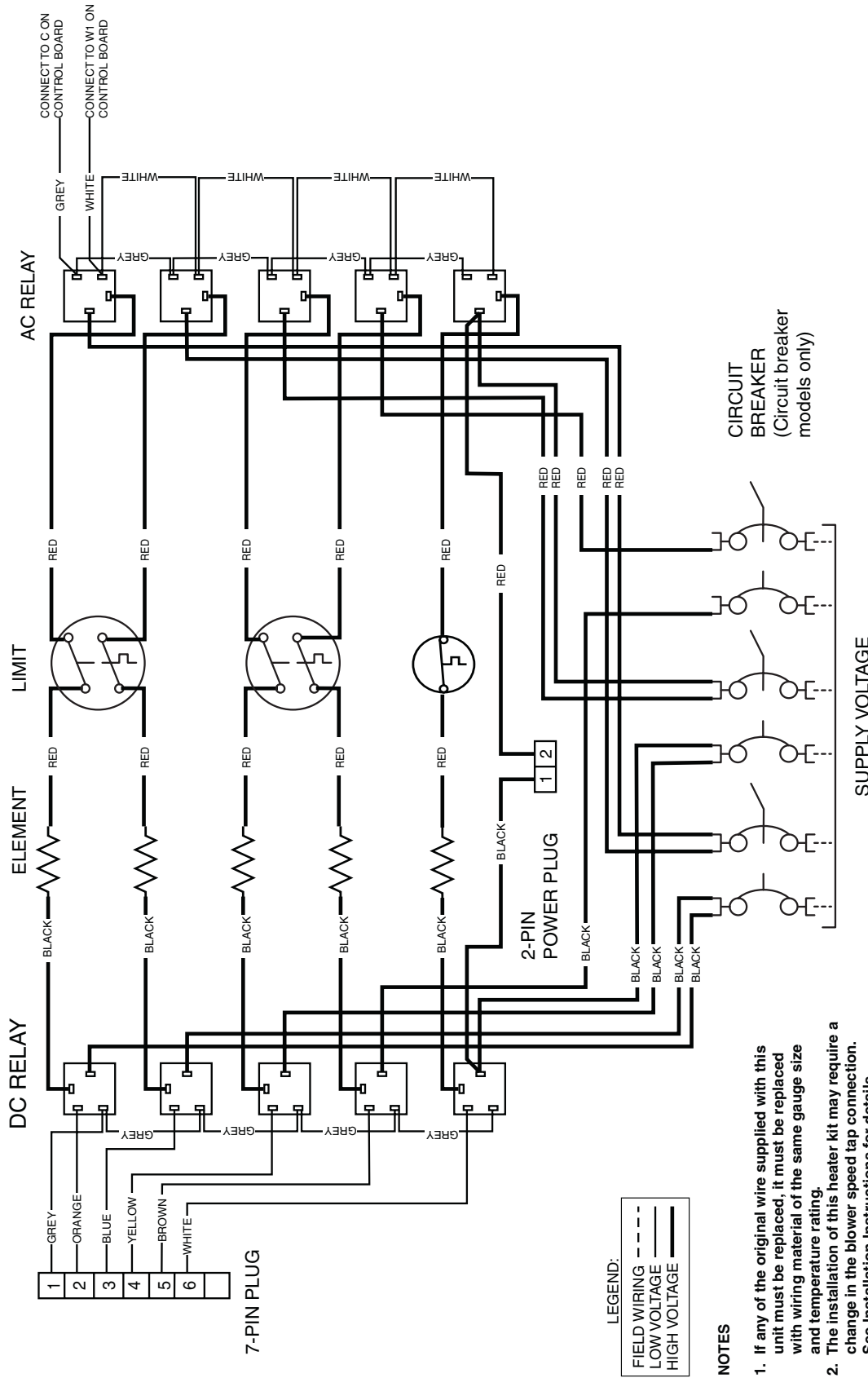
| | |
|--------------|-----|
| FIELD WIRING | --- |
| LOW VOLTAGE | — |
| HIGH VOLTAGE | — |

Figure 11. Single Phase, 20 kw WD (Air Handler with Circuit Breaker(s))

WIRING DIAGRAM

H8HK024H-31 (with circuit breaker)

25kW, 240 VAC, 1-Phase Electric Heater Kit



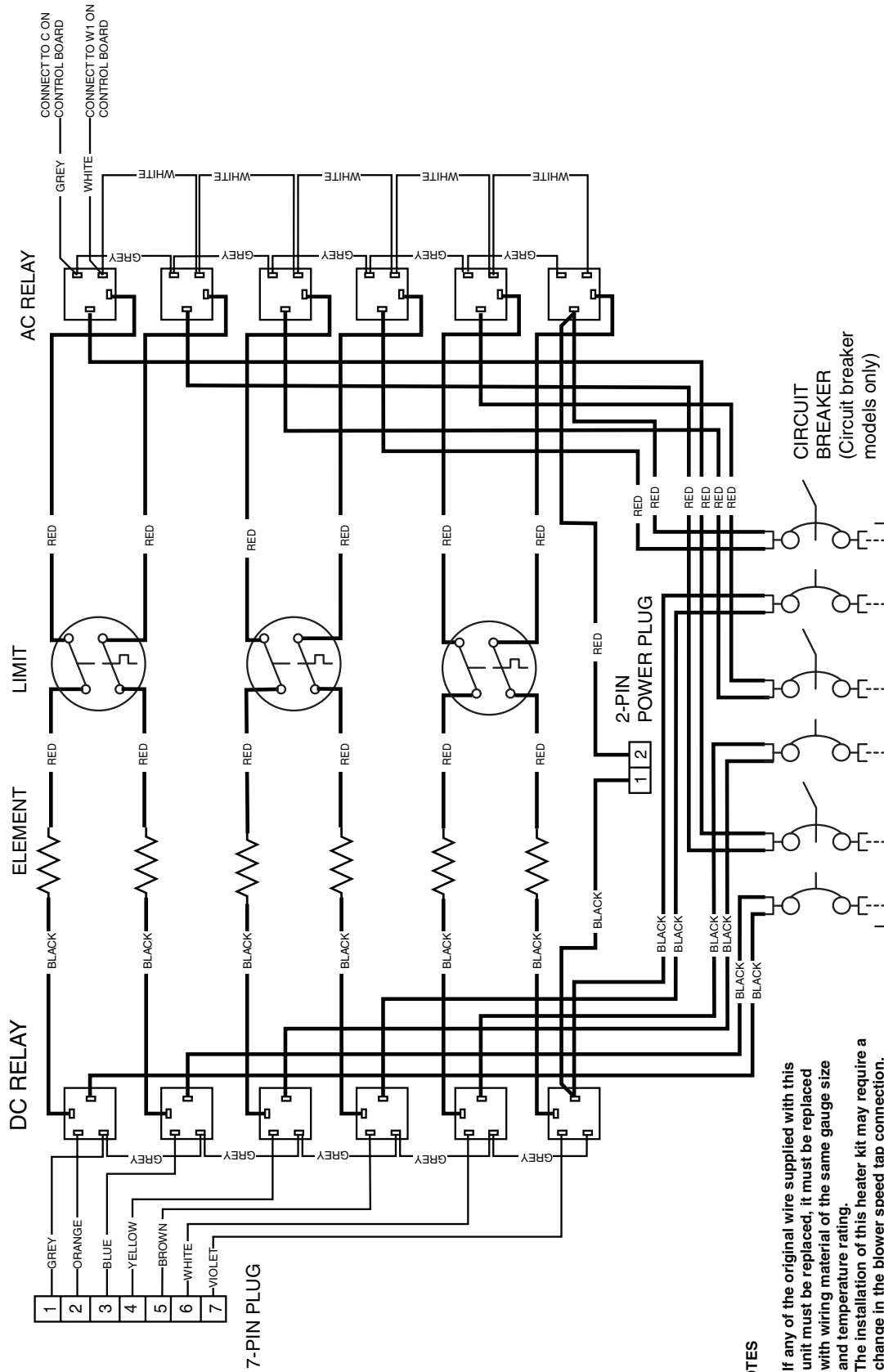
711437C
(Replaces 711437B)
06/17

Figure 12. Single Phase, 25 kw WD (Air Handler with Circuit Breaker(s))

WIRING DIAGRAM

H8HK029H-31 (with circuit breaker)

30kW, 240 VAC, 1-Phase Electric Heater Kit



711438C
(Replaces 711438B)
06/17



NOTES

1. If any of the original wire supplied with this unit must be replaced, it must be replaced with wiring material of the same gauge size and temperature rating.
2. The installation of this heater kit may require a change in the blower speed tap connection. See Installation Instructions for details.
3. Use copper conductors with a minimum temperature rating of 60°C for supply connections.

LEGEND:



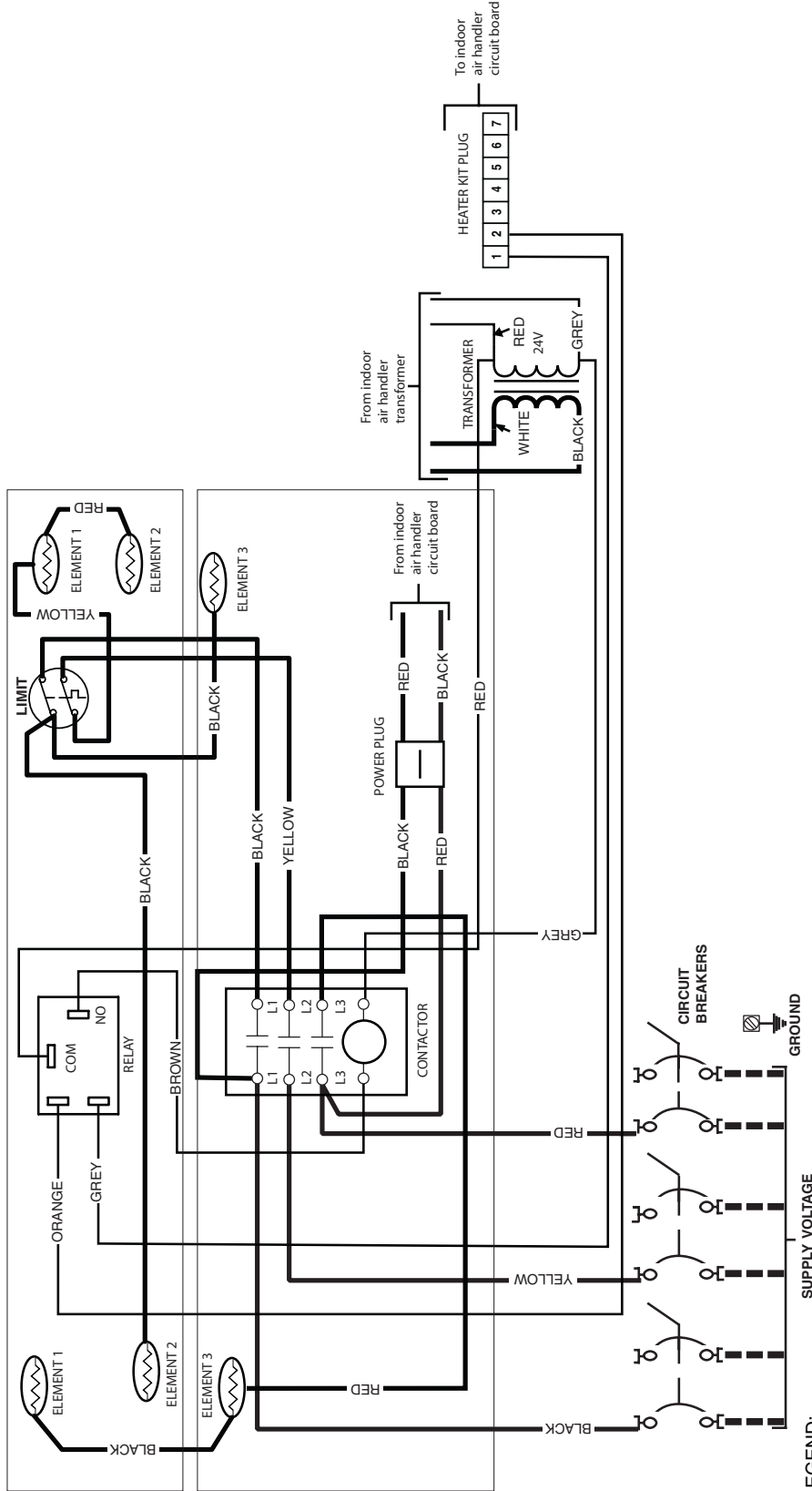
Figure 13. Single Phase, 30 kw W.D. (Air Handler with Circuit Breaker(s))

WIRING DIAGRAM

H8HK 3-Phase Electric Heater Kit, 208/240V

NOTES:

- 1) The blower motor speed tap connection may not be as shown. See the Installation Instructions.
- 2) Disconnect all power before servicing.
- 3) Transformer may have a dual voltage primary tap. Match the tap position with the supply voltage used.
- 4) If the internal wiring is replaced, use only 105°C copper wire of the same gauge.



LEGEND:

- FIELD WIRING
- LOW VOLTAGE
- HIGH VOLTAGE



711439B
(Replaces 711439A)

06/17

Figure 14. 3-Phase, 9kw & 15kw W.D.

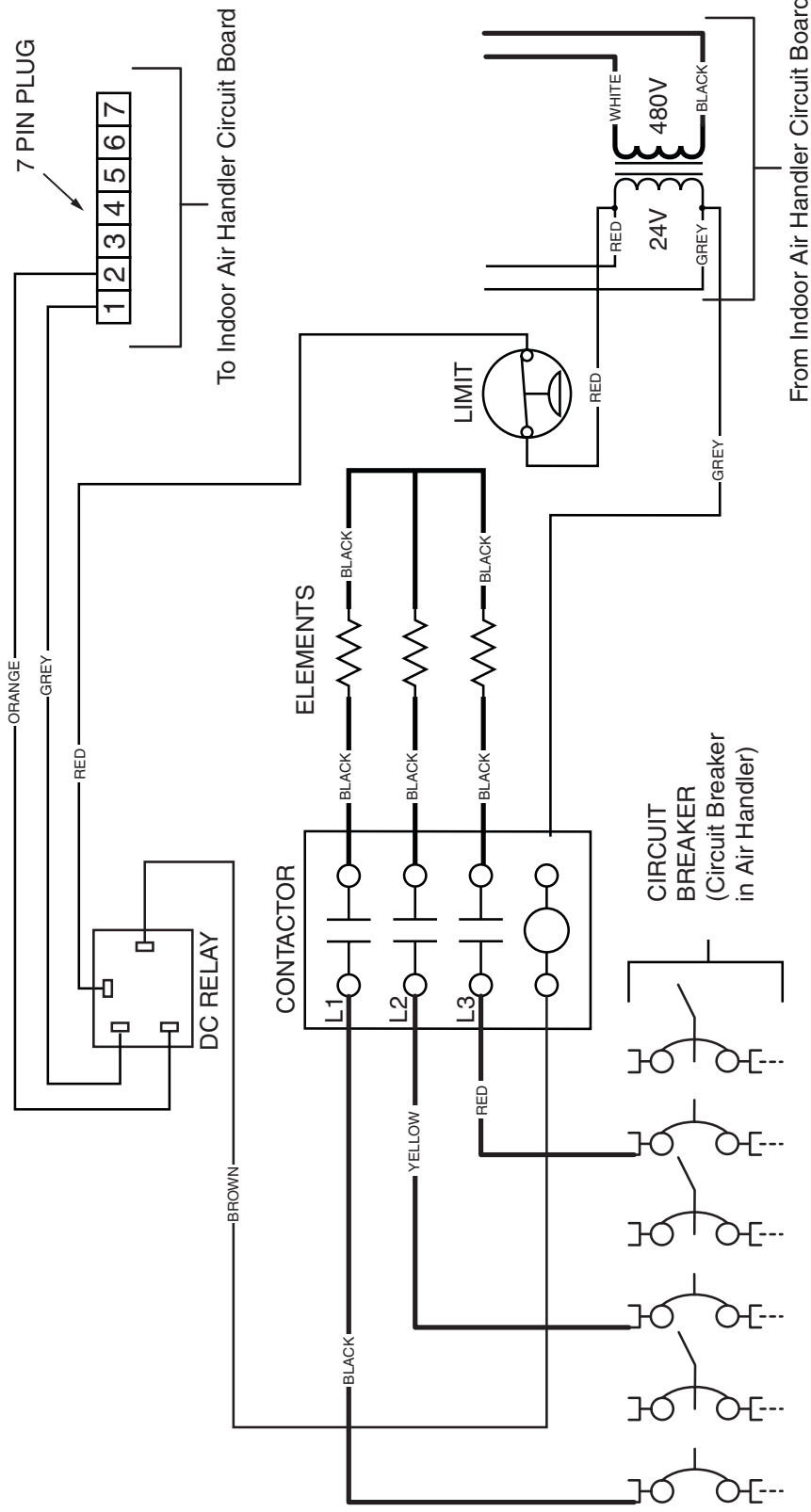
WIRING DIAGRAM

H8HK

3-Phase Electric Heater Kit, 480V

NOTES:

1. The blower motor speed settings are not shown here. See the Installation Instructions.
2. Disconnect all power before servicing.
3. Line voltage from the contactor should be connected to the circuit breaker through the terminal screw.
4. If the internal wiring is replaced, use only 105 C copper wire of the same gauge.



LEGEND:

- FIELD WIRING - - - - -
- LOW VOLTAGE ————
- HIGH VOLTAGE ————



10097720

09/15

Figure 15. 3-Phase, 460V W.D.

**INSTALLER: PLEASE LEAVE THESE INSTALLATION
INSTRUCTIONS WITH THE HOMEOWNER**



709774C
(Replaces 709774B)