

# INSTALLATION INSTRUCTIONS

## DRIP GUARD KIT FOR 1.5 - 5.0 TON SPLIT SYSTEM HEAT PUMPS

### IMPORTANT SAFETY INFORMATION

Please read all instructions before using this equipment. Pay attention to all safety warnings and any other special notes highlighted in the manual. Safety markings are used frequently throughout this manual to designate a degree or level of seriousness and should not be ignored.

**WARNING** indicates a potentially hazardous situation that if not avoided, could result in personal injury or death.

**CAUTION** indicates a potentially hazardous situation that if not avoided, may result in minor or moderate injury or property damage.

These instructions are primarily intended to assist qualified individuals experienced in the proper installation of this appliance. Some local codes require licensed installation/service personnel for this type of equipment. Please read all instructions carefully before starting the installation. Return these instructions to the customer's package for future reference.

### **WARNING:**

#### RISK OF ELECTRICAL SHOCK

Failure to follow these warnings can cause serious injury, fire, electrical shock, or death.

- Shut off all electrical power to the unit before performing any maintenance or service on the system. Failure to comply may result in personal injury or death.
- Unless noted otherwise in these instructions, only factory authorized parts or accessory kits may be used with this product. Improper installation, service, adjustment, or maintenance may cause explosion, fire, electrical shock or other hazardous conditions which may result in personal injury or property damage.

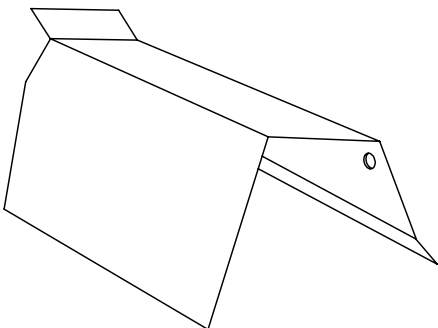


Figure 1. Drip Guard Folded

### ABOUT THE DRIP GUARD

This kit consists of a plastic drip guard and is designed for use in split system heat pump products. The kit is intended to prevent condensate from dripping onto the control board.

### DRIP GUARD INSTALLATION

Read these installation instructions completely before proceeding. Refer to the manufacturer's instructions for more installation information.

1. Disconnect all power to the unit.
2. Remove access panel from unit to expose the electrical components for the condenser.
3. Prepare the drip guard for installation by folding along the score marks to form the shape shown in figure 1.  
**NOTE:** The plastic drip guard is packaged in the kit flat and must be folded before installation.
4. Install the drip guard end that has holes behind the defrost board. Press the standoffs through the holes in the drip guard. See Figure 2.
5. Push the standoffs through the electrical panel to secure the defrost board and drip guard to the unit.
6. Install the access panel and apply power to the unit.

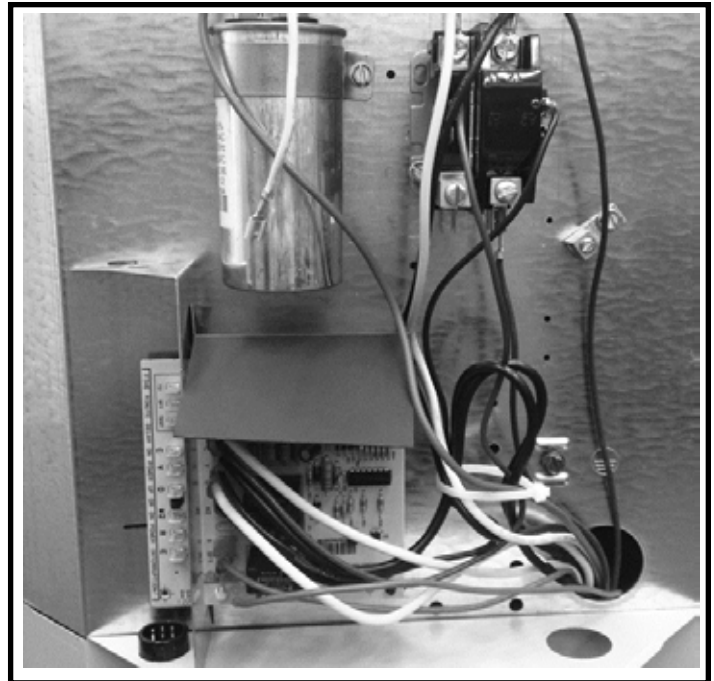


Figure 2. Drip Guard Installed