

QUICK REFERENCE DATA

*SA4BF Series Residential Split System Air Conditioner

16 SEER

Model Number *SA4BF		024KB	036KB	048KC	060KB	
ELECTRICAL DATA	Volts-Cycles-Phase (1)	208/230-60-1				
	Total Amps	12.6	16.5	23.7	25.9	
	Delay Fuse Max. (2)	25	35	50	50	
	Min. Circuit Ampacity	15.5	20.3	29.0	31.7	
CONDENSER DATA	Coil	Area	13.3	20.3	22.8	25.4
		Rows-FPI	1-23	1-18	1-18	2-18
		Tube Dia	MC			3/8" OD
	Fan Motor	Type	PSC		BLDC	
		Amps	0.9	1.3	2.6	2.9
		HP	0.13	0.25	0.33	0.33
	Compressor Data	RLA	11.6	15.2	21.1	23.0
LRA		58.3	83.0	104.0	118.0	
REFRIGERANT SUCTION LINE O.D		0-24 ft.	3/4"	7/8"(4)	7/8"	7/8"
NOTE: Liquid line is 3/8" O.D. for entire length.		25-39 ft.	7/8" (3)	1-1/8" (3)	1-1/8" (3)	1-1/8" (3)
		40-75 ft.	7/8" (3)	1-1/8" (3)	1-1/8" (3)	1-1/8" (3)
Refrigerant charge (R-410A) in ounces for outdoor unit, indoor unit and 15' line set. (5)		78.0	85.0	106.0	260.0	
Approximate Weight (lbs.)		Net	144	188	198	284
		Ship	151	197	207	296

- (1) Operating Voltage Range: 187v min. - 253v max.
- (2) HACR Type Circuit Breakers may be used.
- (3) Requires 1-1/8" to 7/8" reducer from line to unit.
- (4) Use of a 3/4" inset will result in approximately 2% loss in capacity.
- (5) Additional charge for line sets above 15 feet. Values based on suction line as follows with 3/8" liquid line.
 - a) 3/4" = 0.6 oz. per additional foot.
 - b) 7/8" = 0.7 oz. per additional foot.
 - c) 1 1/8" = 0.8 oz. per additional foot.

Table 1. Electrical Specifications & Physical Data

Thermostat Wire Gauge	Recommended T-Stat Wire Unit to T-Stat (Length in FT)	
	2-Wire (Heating)	5-Wire (Heating/Cooling)
24	55	25
22	90	45
20	140	70
18	225	110

Table 2. Thermostat Wire Gauge

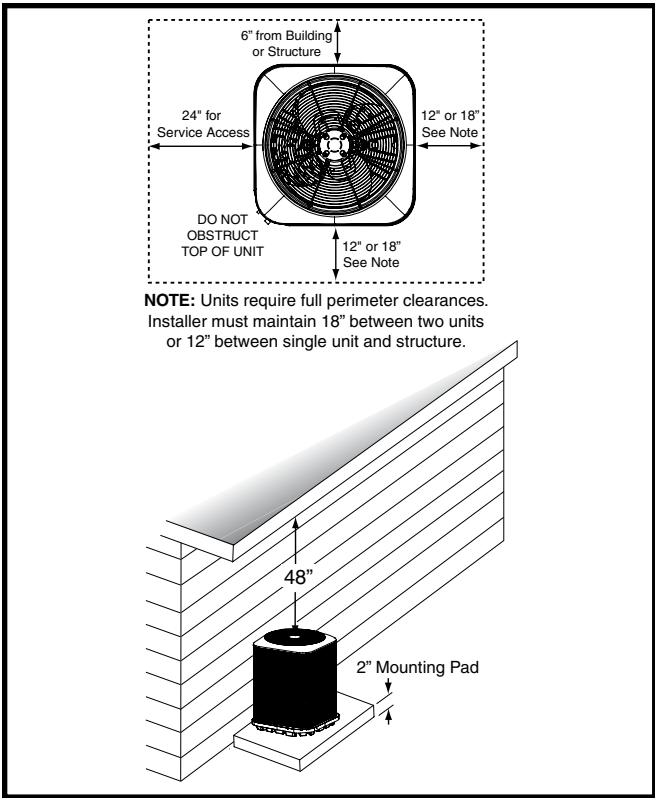
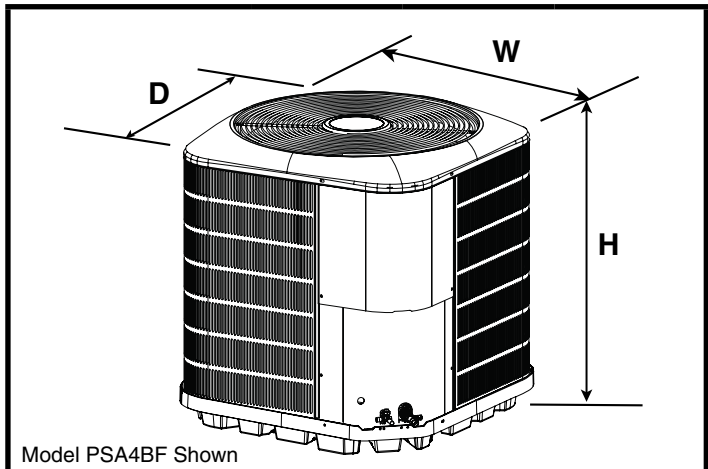


Figure 1. Clearance Requirements



MODEL NUMBER	HEIGHT (H)	WIDTH (W)	DEPTH (D)
*SA4BF024KB	33 1/2"	22 3/4"	22 3/4"
*SA4BF036KB	37 1/2"	30 3/4"	30 3/4"
*SA4BF048KC	41 1/2"	30 3/4"	30 3/4"
*SA4BF060KB	45 1/2"	30 3/4"	30 3/4"

Table 3. Unit Dimensions

Instructions:

1. Find the column for the model of outdoor unit that is being installed.
2. Find the row for the model of the indoor unit that is being installed.
3. Find the cell in the table in which this row and column meet. In this cell the appropriate orifice / TXV and charge addition for this match are listed. If the text in this cell is BOLD, then a change of orifice is necessary.
4. If a change in restrictor is necessary, then the appropriate restrictor will already be supplied with the outdoor unit.

Examples:

- For the *SA4BF024KB / B6VMAX24K-B match, the appropriate TXV is the 669564 and no additional charge needs to be added. (NO CHANGES ARE NECESSARY)
- For the *SA4BF048KC / C6B(A,H)-X48(C,U)-C, the appropriate TXV is the 669852 and no additional charge needs to be added. (NO CHANGES ARE NECESSARY).

Model Number: *SA4BF		024KB	036KB	048KC	060KB
Outdoor Unit BOM Charge (Oz.)		78	85	106	260
MODELS	SUPPLIED WITH ID	REQUIRED RESTRICTOR OR TXV / CHARGE ADDITION (OZ) / RATED AIRFLOW (SCFM)			
B6VM					
B6VMAX24K-B	669564	669564 (0 / 840)	--	--	--
B6VMAX36K-B	669566	--	669566 (0 / 1160)	--	--
B6VMAX48K-C	669568	--	--	669568 (0 / 1395)	--
B6VMAX60K-C	669578	--	--	--	669578 (0 / 1520)
C6					
C6B(A,H)-X26(C,U)-B	669681	669681 (0 / 840)	--	--	--
C6B(A,H)-X36(C,U)-B	669683	--	669683 (0 / 1160)	--	--
C6B(A,H)-X36(C,U)-C	669683	--	669683 (0 / 1160)	--	--
C6B(A,H)-X48(C,U)-C	669852	--	--	669852 (0 / 1395)	--
C6B(A,H)-X48(C,U)-D	669852	--	--	669852 (0 / 1395)	--
C6B(A,H)-X60(C,U)-C	669686	--	--	--	669686 (0 / 1700)
C6B(A,H)-X60(C,U)-D	669686	--	--	--	669686 (0 / 1700)

NOTES:

- The charges listed are only valid for the standard 15' lineset.
- Part numbers beginning with 669***are TXV part numbers and numbers listed as 0.*** are restrictor diameters.

**Table 4. REQUIRED RESTRICTOR OR TXV
(CHARGE ADDITION (OZ) / RATED AIRFLOW -SCFM)**



Specifications & illustrations subject to change without notice or incurring obligations.
O'Fallon, MO | Printed in U.S.A. (05/12)



7094440 (NEW)