

INSTALLATION INSTRUCTIONS

T4BE - 018, 024, 030, 036, 042, 048, & 060 (1.5, 2, 2.5, 3, 3.5, 4, & 5 Ton) Series

IMPORTANT SAFETY INFORMATION	2	Refrigerant Charging.....	8
HEAT PUMP INSTALLATION	3	Charging the Unit in AC Mode with	
General Information	3	Outdoor Temperatures Above 55° F.....	9
Before You Install this Unit	3	HEAT PUMP MAINTENANCE	9
Locating the Heat Pump	3	COMPONENT FUNCTIONS	9
Packaging Removal	3	CHARGING CHARTS - COOLING MODE	10
Ground Level.....	3	Figure 4. Charging Chart for 1.5 Ton Units	10
Rooftop	3	Figure 5. Charging Chart for 2 Ton Units	11
Connecting Refrigerant Tubing Between the		Figure 6. Charging Chart for 2.5 Ton Units	11
Indoor & Outdoor Unit.....	4	Figure 7. Charging Chart for 3 Ton Units	12
ELECTRICAL WIRING.....	4	Figure 8. Charging Chart for 3.5 Ton Units	12
Pre - Electrical Checklist.....	4	Figure 9. Charging Chart for 4 Ton Units	13
Line Voltage	4	Figure 10. Charging Chart for 5 Ton Units	13
Comfort Alert™ Diagnostics Module	5	CHARGING TABLES - HEATING MODE	14
24VAC Power Wiring.....	5	Table 3. Charging Table for 1.5 Ton Units	15
Thermostat Demand Wiring.....	5	Table 4. Charging Table for 2 Ton Units	15
Interpreting the Diagnostic LED's	5	Table 5. Charging Table for 2.5 Ton Units	15
LED Description.....	5	Table 6. Charging Table for 3 Ton Units	16
Blower Time Delay Relay	6	Table 7. Charging Table for 3.5 Ton Units	16
Thermostat / Low Voltage Connections	6	Table 8. Charging Table for 4 Ton Units	16
Grounding	6	Table 9. Charging Table for 5 Ton Units	17
STARTUP & ADJUSTMENTS	7	WIRING DIAGRAMS & DIAGNOSTIC TABLES ..	18
Pre - Start Checklist.....	7	Figure 11. C,M(SH) & D,E,J(T4BE) (1.5-3.5 Ton)	18
Start-up Procedures.....	7	Figure 12. FT4BE Series (1.5-3.5 Ton).....	19
Air Circulation - Indoor Blower	7	Figure 13. PSH4BE Series (1.5-3.5 Ton)	20
Short Cycle Protection Cooling.....	7	Figure 14. C,M(SH) & D,E,J(T4BE) (4 & 5 Ton)	21
System Cooling.....	7	Figure 15. FT4BE Series (4 & 5 Ton).....	22
System Heating.....	7	Figure 16. PSH4BE Series (4 & 5 Ton).....	23
Defrost Cycle Timer	7	Table 10. Comfort Alert LED Diagnostics	24
Defrost Control Board	8	Table 11. Module Wiring Troubleshooting	25
Operational Information	8	INSTALL. / PERFORMANCE CHECKLIST	28
Normal Defrost Operation.....	8	REPLACEMENT PARTS.....	28
Defrost Test Procedure	8		
Anti Short Cycle Timer Test.....	8		

IMPORTANT

ATTENTION INSTALLERS:

It is your responsibility to know this product better than your customer. This includes being able to install the product according to strict safety guidelines and instructing the customer on how to operate and maintain the equipment for the life of the product. Safety should always be the deciding factor when installing this product and using common sense plays an important role as well. Pay attention to all safety warnings and any other special notes highlighted in the manual. Improper installation of the furnace or failure to follow safety warnings could result in serious injury, death, or property damage.

These instructions are primarily intended to assist qualified individuals experienced in the proper installation of this appliance. Some local codes require licensed installation/service personnel for this type of equipment. Please read all instructions carefully before starting the installation. Return these instructions to the customer's package for future reference.

DO NOT DESTROY. PLEASE READ CAREFULLY AND KEEP IN A SAFE PLACE FOR FUTURE REFERENCE.

IMPORTANT SAFETY INFORMATION

INSTALLER: Please read all instructions before servicing this equipment. Pay attention to all safety warnings and any other special notes highlighted in the manual. Safety markings are used frequently throughout this manual to designate a degree or level of seriousness and should not be ignored. **WARNING** indicates a potentially hazardous situation that if not avoided, could result in personal injury or death. **CAUTION** indicates a potentially hazardous situation that if not avoided, may result in minor or moderate injury or property damage.

WARNING:

ELECTRICAL SHOCK, FIRE OR EXPLOSION HAZARD

Failure to follow safety warnings exactly could result in serious injury or property damage.

Improper servicing could result in dangerous operation, serious injury, death or property damage.

- Before servicing, disconnect all electrical power to the indoor blower.
- When servicing controls, label all wires prior to disconnecting. Reconnect wires correctly.
- Verify proper operation after servicing.

WARNING:

T4BE Split System Heat Pumps are shipped charged with R410A refrigerant and ready for installation. If repairs make it necessary for evacuation and charging, it should only be attempted by qualified trained personnel thoroughly familiar with this equipment. Under no circumstances should the owner attempt to install and/or service this equipment. Failure to comply with this warning could result in property damage, personal injury, or death.

CAUTION:

This unit uses R-410A refrigerant. **DO NOT** use any other refrigerant in this unit. Use of another refrigerant will damage the unit.

WARNING:

Unless noted otherwise in these instructions, only factory authorized parts or accessory kits may be used with this product. Improper installation, service, adjustment, or maintenance may cause explosion, fire, electrical shock or other hazardous conditions which may result in personal injury or property damage.

- Installation of equipment may require brazing operations. Installer must comply with safety codes and wear appropriate safety equipment (safety glasses, work gloves, fire extinguisher, etc.) when performing brazing operations.
- Follow all precautions in the literature, on tags, and on labels provided with the equipment. Read and thoroughly understand the instructions provided with the equipment prior to performing the installation and operational checkout of the equipment.
- Use caution when handling this appliance or removing components. Personal injury can occur from sharp metal edges present in all sheet metal constructed equipment.

WARNING:

The information listed below and the next page must be followed during the installation, service, and operation of this furnace. Failure to follow safety recommendations could result in possible damage to the equipment, serious personal injury or death.

- The installer must comply with all local codes and regulations which govern the installation of this type of equipment. Local codes and regulations take precedence over any recommendations contained in these instructions. Consult local building codes and the National Electrical Code (ANSI CI) for special installation requirements.
- All electrical wiring must be completed in accordance with local, state and national codes and regulations and with the National Electric Code (ANSI/NFPA 70) or in Canada the Canadian Electric Code Part 1 CSA C.22.1.
- This equipment contains liquid and gaseous refrigerant under high pressure. **DO NOT USE ANY PORTION OF THE CHARGE FOR PURGING OR LEAK TESTING.** Installation or servicing should only be performed by qualified trained personnel thoroughly familiar with this type equipment.
- Fully annealed, refrigerant grade copper tubing should be used when installing the system. Refrigerant suction line tubing should be fully insulated.
- This unit is designed for outdoor installations only and should be positioned as described on page 3.

HEAT PUMP INSTALLATION

General Information

Split system heat pumps are designed only for outdoor rooftop or ground level installations. This unit has been tested for capacity and efficiency in accordance with AHRI Standards and will provide many years of safe and dependable comfort, providing it is properly installed and maintained. Abuse, improper use, and/or improper maintenance can shorten the life of the appliance and create unsafe hazards.

To achieve optimum performance and minimize equipment failure, it is recommended that periodic maintenance be performed on this unit. The ability to properly perform maintenance on this equipment requires certain mechanical skills and tools.

Before You Install the Heat Pump

- ✓ The cooling load of the area to be conditioned must be calculated and a system of the proper capacity selected. It is recommended that the area to be conditioned be completely insulated and vapor sealed.
- ✓ Check the electrical supply and verify the power supply is adequate for unit operation. The system must be wired and provided with circuit protection in accordance with local building codes. If there is any question concerning the power supply, contact the local power company.
- ✓ The indoor section (air handler, furnace, etc) should be installed before routing the refrigerant tubing. Refer to the indoor unit's installation instructions for installation details.
- ✓ All units are securely packed at the time of shipment and upon arrival should be carefully inspected for damage prior to installing the equipment at the job site. Verify coil fins are straight. If necessary, comb fins to remove flattened or bent fins. Claims for damage (apparent or concealed) should be filed immediately with the carrier.
- ✓ Please consult your dealer for maintenance information and availability of maintenance contracts. Please read all instructions before installing the unit.

Locating the Heat Pump

- Survey the job site to determine the best location for mounting the outdoor unit.
- Overhead obstructions (Figure 1), poorly ventilated areas, and areas subject to accumulation of debris should be avoided.
- Sufficient clearance for unobstructed airflow through the outdoor coil must be maintained in order to achieve rated performance. See Figure 1 for minimum clearances to obstructions.
- Consideration should be given to availability of electric power, service access, noise, and shade.

Packaging Removal

To prevent damage to the tubing connections, carefully remove the carton and user's manual from the equipment. Discard the shipping carton.

Ground Level

Ground level installations must be located according to local building codes or ordinances and these requirements:

- Clearances must be in accordance with those shown in Figure 1.
- A suitable mounting pad must be provided and be separate from the building foundation. The pad must be level and strong enough to support the unit's weight. The slab height must be a minimum of 2" (5 cm) above grade and with adequate drainage. See Figure 1.

Rooftop

- The method of mounting should be designed so that it does not overload roof structures or transmit noise to the interior of the structure. The roof must be structurally capable of handling the weight of the unit.
- Full perimeter support is required under the unit. Support must be made of weather resistant materials and installed prior to unit installation.
- The support must be built to raise the unit 6" above the roof.

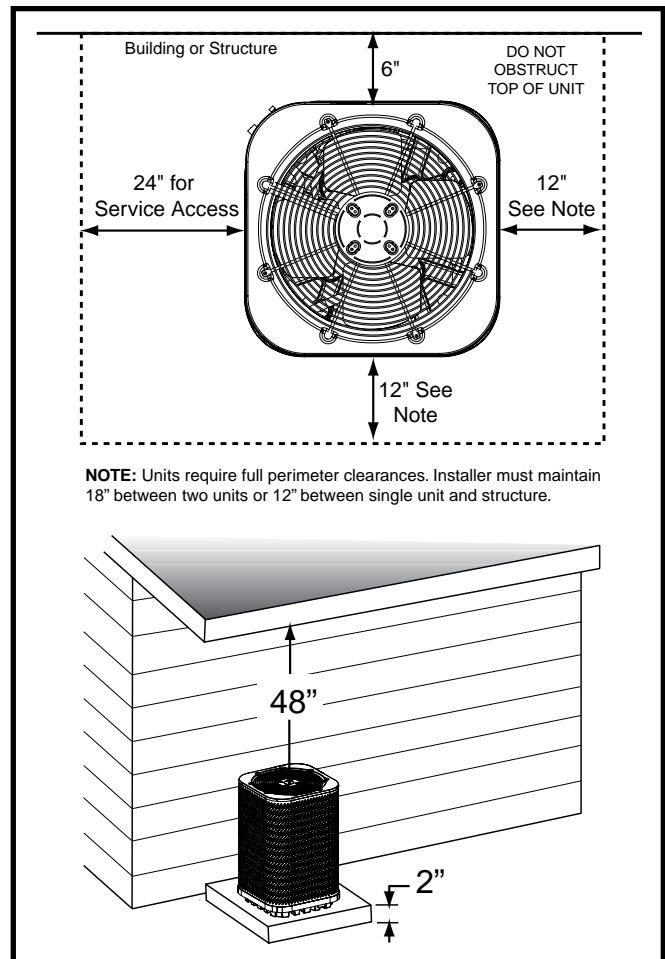


Figure 1. Clearance Requirements

Connecting Refrigerant Tubing Between the Indoor & Outdoor Unit

CAUTION:

When servicing, cover or seal openings to minimize the exposure of the refrigerant system to air to prevent accumulation of moisture and other contaminants.

After outdoor and indoor unit placement has been determined, route refrigerant tubing between the equipment in accordance with sound installation practices.

- When connecting refrigerant linesets together, it is recommended that dry nitrogen be flowing through the joints during brazing. This will prevent internal oxidation and scaling from occurring.
- Refrigerant tubing should be routed in a manner that minimizes the length of tubing and the number of bends in the tubing.
- Refrigerant tubing should be supported in a manner that the tubing will not vibrate or abrade during system operation.
- Tubing should be kept clean of foreign debris during installation.
- Every effort should be made by the installer to ensure that the field installed refrigerant containing components of the system have been installed in accordance with these instructions and sound installation practices to insure reliable system operation and longevity.
- The maximum recommended interconnecting refrigerant line length is 75 feet, and the vertical elevation difference between the indoor and outdoor sections should not exceed 20 feet.
- If precise forming of refrigerant lines is required, a copper tubing bender is recommended. Avoid sharp bends and contact of the refrigerant lines with metal surfaces.
- A filter dryer is provided with the unit and must be installed in the liquid line of the system. If the installation replaces a system with a filter dryer already present

in the liquid line, the filter dryer must be replaced with the one supplied with the unit. The filter dryer must be installed in strict accordance with the manufacturer's installation instructions.

- Optional equipment such as liquid line solenoid valves, low ambient, etc., should be installed in strict accordance with the manufacturer's installation instructions.

ELECTRICAL WIRING

WARNING:

To avoid risk of electrical shock, personal injury, or death, disconnect all electrical power to the unit before performing any maintenance or service. The unit may have more than one electrical supply.

Label all wires prior to disconnection when servicing the unit. Wiring errors can cause improper and dangerous operation

- All electrical connections must be in compliance with all applicable local codes and ordinances, and with the current revision of the National Electric Code (ANSI/NFPA 70).
- For Canadian installations the electrical connections and grounding shall comply with the current Canadian Electrical Code (CSA C22.1 and/or local codes).

Pre-Electrical Checklist

- ✓ Verify that the voltage, frequency, and phase of the supply source match the specifications on the unit rating plate.
- ✓ Verify that the service provided by the utility is sufficient to handle the additional load imposed by this equipment. Refer to the unit wiring label for proper high and low voltage wiring.
- ✓ Verify factory wiring is in accordance with the unit wiring diagram (Figures 11-16, pages 18-23). Inspect for loose connections.

Line Voltage

- A wiring diagram is located on the inside cover of the electrical box of the outdoor unit. The installer should become familiar with the wiring diagram before making any electrical connections to the outdoor unit.
- **An electrical disconnect must be located within sight of and readily accessible to the unit.** This switch shall be capable of electrically de-energizing the outdoor unit.
- Line voltage to the unit should be supplied from a dedicated branch circuit containing the correct fuse or circuit breaker for the unit. Incoming field wiring and minimum size of electrical conductors and circuit protection must be in compliance with information listed on the outdoor unit data label. Any other wiring methods must be acceptable to authority having jurisdiction.

COPPER WIRE SIZE — AWG (1% Voltage Drop)				
Supply Wire Length-Feet				Supply Circuit Ampacity
200	150	100	50	
6	8	10	14	15
4	6	8	12	20
4	6	8	10	25
4	4	6	10	30
3	4	6	8	35
3	4	6	8	40
2	3	4	6	45
2	3	4	6	50
2	3	4	6	55
1	2	3	4	60

Wire Size based on N.E.C. for 60° type copper conductors.

Table 1. Copper Wire Size

- The outdoor unit requires both power and control circuit electrical connections. Refer to the wiring diagrams for identification and location of outdoor unit field wiring interfaces. Make all electrical connections in accordance with all applicable codes and ordinances.
- Overcurrent protection must be provided at the branch circuit distribution panel and sized as shown on the unit rating label and according to applicable local codes. See the unit rating plate for minimum circuit ampacity and maximum overcurrent protection limits.
- Provide power supply for the unit in accordance with the unit wiring diagram, and the unit rating plate. Connect the line-voltage leads to the terminals on the contactor inside the control compartment.
- Use only copper wire for the line voltage power supply to this unit as listed in Table 1 (page 4). Use proper code agency listed conduit and a conduit connector for connecting the supply wires to the unit. Use of rain tight conduit is recommended.
- 208/230 Volt units are shipped from the factory wired for 230 volt operation. For 208V operation, remove the lead from the transformer terminal marked 240V and connect it to the terminal marked 208V.
- Optional equipment requiring connection to the power or control circuits must be wired in strict accordance of the NEC (ANSI/NFPA 70), applicable local codes, and the instructions provided with the equipment.

Comfort Alert™ Diagnostics Module (Select Models Only)

The Comfort Alert™ Diagnostics Module (Figure 2) is a breakthrough innovation for troubleshooting heat pump and air conditioning system failures. The module installs easily in the electrical box of the outdoor unit near the compressor contactor. By monitoring and analyzing data from the Copeland scroll compressor and the thermostat demand, the module can accurately detect the cause of electrical and system related failures without any sensors. A flashing LED indicator communicates the ALERT code and a diagnostic key is also imprinted on the side of the module to quickly direct the technician to the root cause of a problem. **NOTE:** This module does not provide safety protection! The Comfort Alert™ Diagnostics Module is a monitoring device and cannot control or shut down other devices.

24 VAC Power Wiring

The Comfort Alert™ module requires a constant nominal 24 VAC power supply. The module cannot be powered by the **C** terminal on a defrost board or other control board without experiencing nuisance alerts. **NOTE:** The wiring to the module's **R** & **C** terminals must be routed directly from the indoor unit or thermostat.

If the constant 24 VAC (**R** wire) is not present in the outdoor unit, use one of the spare wires in the thermostat cable to bring power to the module. Connect the other end of the spare wire to **R** at the indoor unit or thermostat.

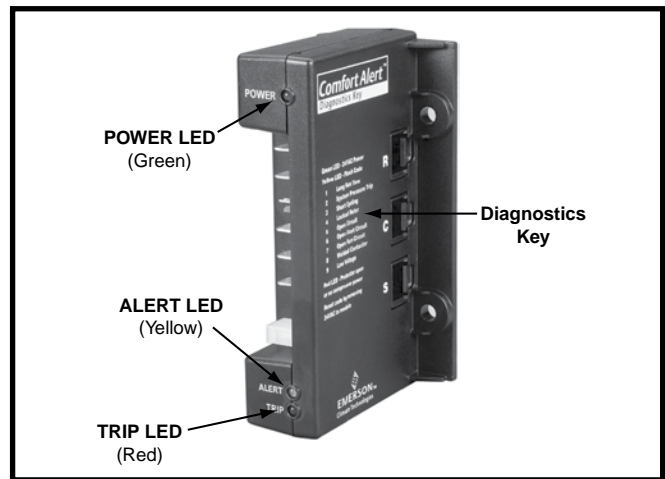


Figure 2. Comfort Alert™ Diagnostics Module

Thermostat Demand Wiring

The Comfort Alert™ module requires a thermostat demand signal to operate properly. The thermostat demand signal input (labeled **Y** on the module), should always be connected to the compressor contactor coil. **NOTE:** When the coil is energized, the demand signal input is 24 VAC. When the coil is not energized, the demand signal input should be less than 0.5 VAC.

NOTES:

- Factory installed modules have different thermostat demand signal wiring. Always follow manufacturer wiring instructions when replacing the module.
- After the thermostat demand signal is connected, verify that 24 VAC across **Y** & **C** when demand is present.

Interpreting the Diagnostic LED's

When an abnormal system condition occurs, the Comfort Alert™ module displays the appropriate ALERT and/or TRIP LED will flash a number of times consecutively, pause and then repeat the process. To identify a Flash Code number, count the number of consecutive flashes.

Each time the module powers up, the last ALERT Flash Code that occurred prior to shut down is displayed for one minute. The module will continue to display the LED until the condition returns to normal or if 24 VAC power is removed from the module. See Table 10 (page 24) for flash code identification or Table 11 (page 25) for module wiring troubleshooting.

LED Description

- **POWER LED (Green):** indicates voltage is present at the power connection of the module.
- **ALERT LED (Yellow):** communicates an abnormal system condition through a unique flash code. **NOTE:** The ALERT LED will flash consecutively, pause and then repeat the process. The number of consecutive flashes, referred to as the Flash Code, correlates to a particular abnormal condition. Detailed descriptions of these ALERT Flash Codes are listed in Table 10.
- **TRIP LED (Red):** indicates a demand signal is received from the thermostat, but current to the compressor is

not detected by the module. The TRIP LED typically indicates if the compressor protector is open or the compressor has no power.

The scroll compressor's **R** (run), **C** (common), and **S** (start) wires are routed through the holes in the Comfort Alert™ module marked **R**, **C**, & **S**. **NOTE:** The common wire does not need to be routed through the module for it to operate.

Blower Time Delay Relay (Select Models)

A time delay relay may be provided with the unit and must be installed in the indoor section. The relay will keep the indoor blower running an additional 40 seconds for increased cooling efficiency after the outdoor unit shuts off.

The relay has four terminals and one mounting hole.

- Connect terminal 1 to load side of blower relay.
- Connect terminal 2 to terminal **R** of T'stat.
- Connect terminal 3 to common terminal at blower relay or transformer.
- Connect terminal 4 to terminal **G** on T'stat.

Thermostat / Low Voltage Connections

- Thermostat connections should be made in accordance with the instructions supplied with the thermostat and the indoor equipment. A typical installation with a heat pump thermostat and air handler is shown in Figure 3.
- The outdoor unit is designed to operate from a 24 VAC Class II control circuit. The control circuit wiring must comply with the current provisions of the NEC (ANSI/NFPA 70) and with applicable local codes having jurisdiction.
- The low voltage wires must be properly connected to the units low voltage terminal block. Recommended wire gauge and wire lengths for typical thermostat connections are listed in Table 2.
- The thermostat should be mounted about 5 feet above the floor on an inside wall. **DO NOT** install the thermostat on an outside wall or any other location where its operation may be adversely affected by radiant heat from fireplaces, sunlight, or lighting fixtures, and convective heat from warm air registers or electrical appliances. Refer to the thermostat manufacturer's instruction sheet for detailed mounting and installation information.

Grounding

⚠ WARNING:

The unit cabinet must have an uninterrupted or unbroken electrical ground to minimize personal injury if an electrical fault should occur. Do not use gas piping as an electrical ground!

This unit must be electrically grounded in accordance with local codes or, in the absence of local codes, with the National Electrical Code (ANSI/NFPA 70) or the CSA C22.1 Electrical Code. Use the grounding lug provided in the control box for grounding the unit.

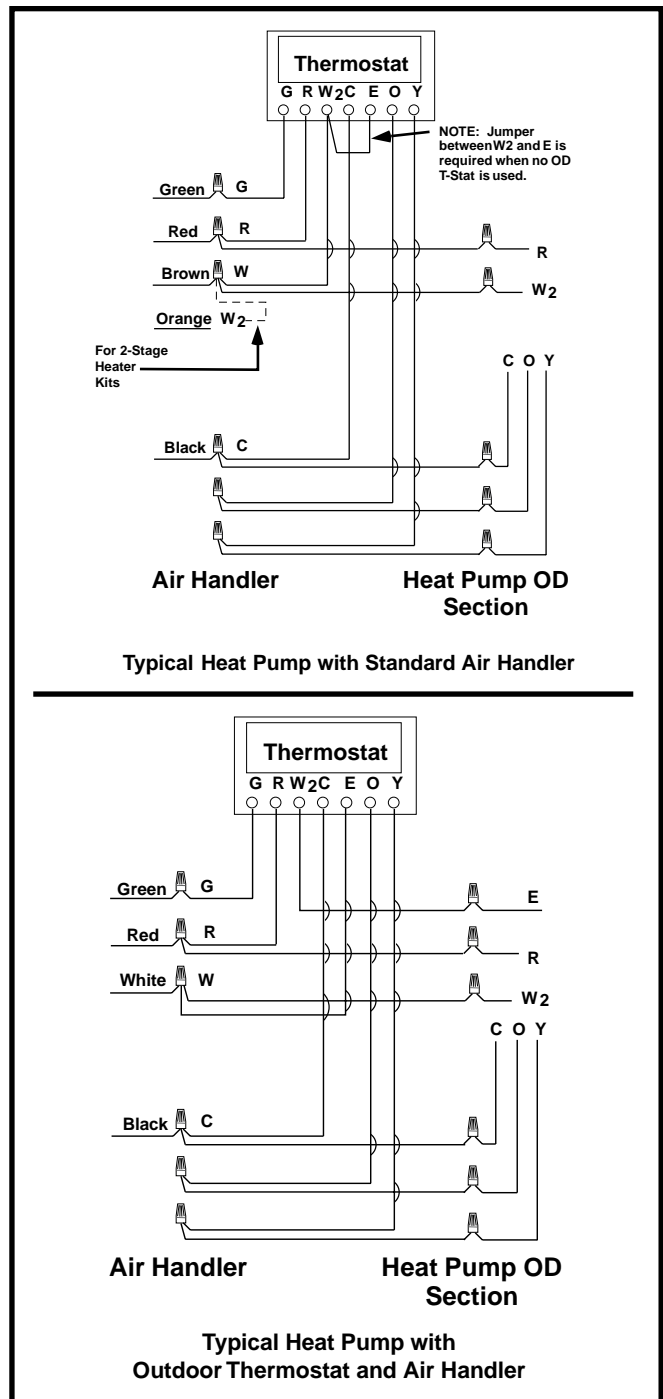


Figure 3. Typical Thermostat Connections

Thermostat Wire Gauge	Recommended T-Stat Wire Unit to T-Stat (Length in FT)	
	2-Wire (Heating)	5-Wire (Heating/Cooling)
24	55	25
22	90	45
20	140	70
18	225	110

Table 2. Thermostat Wire Gauge

START UP & ADJUSTMENTS

Pre-Start Check List

- √ Verify the unit is level and has sufficient clearances for unobstructed airflow.
- √ Verify the outdoor coil and top of the unit are free from obstructions and debris, and all equipment access/control panels are in place.
- √ Verify that the line voltage power leads are securely connected and the unit is properly grounded.
- √ Verify that the low voltage wires are securely connected to the correct leads on the low voltage terminal strip.
- √ Verify that the power supply branch circuit overcurrent protection is sized properly.
- √ Verify that the thermostat is wired correctly.

Start-Up Procedures

WARNING:

This unit is equipped with a crankcase heater. Allow 24 hours prior to continuing the start up procedures to allow for heating of the refrigerant compressor crankcase. Failure to comply may result in damage and could cause premature failure of the system. This warning should be followed at initial start up and any time the power has been removed for 12 hours or longer.

Air Circulation - Indoor Blower

1. Set the thermostat system mode on OFF and the fan mode to ON.
2. Verify the blower runs continuously. Check the air delivery at the supply registers and adjust register openings for balanced air distribution. If insufficient air is detected, examine ductwork for leaks or obstructions.
3. Set the thermostat fan mode to AUTO and verify the blower stops running.

NOTE: On 3 phase air handler models only - If blower is spinning opposite of arrow direction, shut off the main power to the unit and switch any two field wires at the disconnect. **DO NOT alter unit wiring.**

Short Cycle Protection

1. Set the thermostat system mode to COOL. Observe the temperature setting of the thermostat and gradually raise the set-point temperature until the unit de-energizes.
2. Immediately lower the set point temperature of the thermostat to its original setting and verify that the indoor blower is energized and outdoor unit remains de-energized.
3. After approximately 5 minutes, verify the outdoor unit energizes and the temperature of the discharge air is cooler than the room temperature.

System Cooling

1. Set the thermostat's system mode to COOL and the fan mode to AUTO. Gradually lower the thermostat temperature setpoint below room temperature and verify the outdoor unit and indoor blower energize.
2. Verify blower wheel is spinning in direction indicated by arrow. Feel the air being circulated by the indoor blower and verify that it is cooler than ambient temperature. Listen for any unusual noises. If unusual sounds occur, determine the source of the noise and correct as necessary.
3. Verify HI and LO refrigerant pressures.
NOTE: If refrigerant pressures are abnormal and the compressor is rotating backwards, shut off main power to the unit and switch any two field wires at the disconnect. **DO NOT alter unit wiring.**
4. Allow the system to operate for several minutes and then set the temperature selector above room temperature. Verify the fan and compressor cycle off with the thermostat. **NOTE:** The blower should also stop unless fan switch is set to the ON position.

System Heating

1. Set the thermostat's system mode to HEAT and the temperature mode to below room temperature.
2. Verify the outdoor unit and indoor fan stop running. After 5 minutes, increase the temperature on the thermostat to it's maximum setting.
3. Verify the outdoor unit and indoor blower energize. Feel the air being circulated by the indoor blower and verify that it is warmer than ambient temperature. Listen for any unusual noises. If unusual sounds occur, determine the source of the noise and correct as necessary.

Defrost Cycle Timer

The defrost cycle timer controls the time interval of the hot gas defrost after the defrost sensor closes. It is located in the lower left corner of the defrost control board on the of the control panel. Three interval settings are available: 30, 60, and 90 minutes. Time setting selection is dependent on the climate where the unit is being installed.

- Example 1: Dry climate of Southern Arizona - A 90 minute setting is recommended.
- Example 2: Moist climate of Seattle, Washington - A 30 minute setting is recommended.

To set the cycle timer, place the timing pin on the defrost control board to the desired time interval post.

NOTE: All units are shipped from the factory with the default time setting of 30 minutes. Longer settings are recommended for drier climate areas and shorter time intervals are recommended for moist climate areas. Maximum heating performance can be achieved by setting the time to 90 minutes.

Defrost Control Board

Operational Information

- Terminals **R - RC** must have 24±V present between them in order for the time delay and defrost sequences to be operational.
- Jumpering the **T2 - DFT** test pins will communicate to the board that the defrost T-stat is closed (if the compressor is running). The defrost thermostat tells the board whether a defrost cycle needs to be started or terminated. **NOTE:** The defrost T-stat is closed at 32° F or below and is open at 68° F or above, but its state is unknown if the temperature is between 32° F and 68° F.
- With the DFT closed, the unit will run for 30/60/90 minutes in heat mode and then defrost the outdoor coil. The defrost will turn off the outdoor fan, turn on the compressor and raise the coil temperature to 68° F. This will open the DFT and terminate the defrost. If the DFT does not open the defrost will end after 10 minutes.
- To over-ride the defrost board and initiate a faster defrost test in 5, 10 or 15 seconds as determined by the 30, 60 or 90 minute defrost pin settings (factory setting is 30 minutes), jumper the **TEST** terminal to the **C** (common) terminal while the compressor is in heat mode.
 - This will bypass the compressor off delay when the unit goes into defrost test and if left in defrost test, the delay will be bypassed when the test is terminated by the processor. **NOTE:** If the jumper is removed before the test is over, the processor will perform the remainder of a normal defrost. See bullet 2 above.
- To switch from no-delay to delay, remove the pin from the **no - delay** pin location and shift it to the **delay** pin location. The delay/no-delay pin concerns compressor operation during defrosts. The default setting is delay.
 - Reciprocating compressors should only use this setting in conjunction with an approved hard start kit.
 - Scroll compressors that have noise issues while going into or coming out of defrost should use this 30 second delay to reduce the defrost noise.
 - Manually initiating a defrost will cause the compressor to run continually when entering defrost.

Normal defrost operation

To test normal defrost operation when the temperature is above 35° F, jumper **R** to **DFT** on the board and allow the unit to run for 30 minutes. Defrost will continue until the **R** to **DFT** jumper is removed or for 10 minutes. Remove the jumper.

The 5 minute time delay feature can be shortened 1 time to 1 second by jumping the **Test** to **C** terminal. Remove the jumper and repeat as desired.

NOTE: If jumper is left on the **Test** to **common** pins permanently, the defrost cycle will become inoperable.

Defrost Test Procedure

1. Jumper **T2** to **DFT** at the test terminals.
2. With unit running in heat mode, short the **TEST** terminal to the common terminal near it. This will speed up the board and cause it to enter defrost mode in 5/10/15 seconds depending on the defrost time selection. Compressor delay will not function during speed-up.
3. This test will end in 5 seconds if the **TEST**-common short is not removed.
4. Remove both the short and the **T2** to **DFT** jumper to terminate the defrost cycle. The 30 second compressor delay should operate normally.
5. Test is complete, reset thermostat to home owner preference.

Anti Short Cycle Timer Test

The 5 minute time delay feature can be bypassed or shortened to 1 second by jumping the **Test** to **C** terminal.

NOTE: If jumper is left on the **Test** to **common** pins permanently, the defrost cycle will become inoperable.

Refrigerant Charging

WARNING:

T4BE Split System Heat Pumps are shipped charged with R410A refrigerant and ready for installation. If repairs make it necessary for evacuation and charging, it should only be attempted by qualified trained personnel thoroughly familiar with this equipment. Under no circumstances should the owner attempt to install and/or service this equipment. Failure to comply with this warning could result in property damage, personal injury, or death.

After refrigerant line connections are completed, it is required that you leak check and evacuate the indoor section and all line connections (using proper methods) before finalizing the full system refrigerant charge.

- To achieve rated capacity and efficiency, the compressor must be exposed to refrigerant for at least 24 hours prior to running and then the compressor must be run for a minimum of 12 hours.
- Cooling mode charging charts are applicable only to matched assemblies of NORDYNE equipment and listed airflows for the indoor coil. T4BE outdoor units with non-AHRI listed indoor coils are not recommended and deviations from rated airflows or non-listed combinations may require modification to the expansion device and refrigerant charging procedures for proper and efficient system operation. Refer to Figures 4-10 (pages 10-13) and Tables 3-9 (pages 15 - 17) for correct system charging.
- The refrigerant charge can be checked and adjusted through the service ports provided external to the outdoor unit. Use only gage line sets which have a "Schrader" depression device present to actuate the

valve. A common suction port for heating mode charging is included and located on the compressor access panel above the outdoor unit service valves.

- Heat Mode Verification Tables (Tables 3 - 9, pages 15 - 17) are provided for quick reference when the unit is in heating mode and for the inspection of the liquid line pressures and temperatures.

Charging the Unit in AC Mode with Outdoor Temperatures Above 55° F

(for optimized sub-cooling of 10° F to 12° F)

1. With the system operating at steady-state, measure the liquid refrigerant pressure (in PSIG) at the outdoor unit service valve.
2. Measure the liquid refrigerant temperature (in Fahrenheit) at the service valve.
3. Determine the required liquid refrigerant pressure from Figures 4-10 (pages 10-13) .
 - If the pressure measured in Step 1 is greater than the required liquid refrigerant pressure determined in Step 3, then there is too much charge in the system. Remove refrigerant and repeat Steps 1 through 3 until the system is correctly charged.
 - If the pressure measured in Step 1 is less than the required liquid refrigerant pressure determined in Step 3, there is too little charge in the system. Add refrigerant and repeat Steps 1 through 3 until the system is correctly charged.

HEAT PUMP MAINTENANCE

WARNING:

To prevent electrical shock, personal injury, or death, disconnect all electrical power to the unit before performing any maintenance or service. The unit may have more than one electrical supply.

Proper maintenance is important to achieve optimum performance from the heat pump. The ability to properly perform maintenance on this equipment requires certain mechanical skills and tools. If you do not possess these skills, contact your dealer for maintenance. Consult your local dealer about the availability of maintenance contracts. Routine maintenance should include the following:

- Inspect and clean or replace air filters at the beginning of each heating and cooling season, or more frequently if required.
- Inspect the outdoor coil at the beginning of each cooling season. Remove any debris. Clean the outdoor coil and louvers as necessary using a mild detergent and water. Rinse thoroughly with water.
- Inspect the electrical connections for tightness at the beginning of each heating and cooling season. Service as necessary.

CAUTION:

The unit should never be operated without a filter in the return air system. Replace disposable filters with the same type and size.

- Do not add additional oil to motors unequipped with oil tubes. The compressor is hermetically sealed at the factory and does not require lubrication.

COMPONENT FUNCTIONS

Comfort Alert™ Diagnostics - The Comfort Alert diagnostics module troubleshoots heat pump and air conditioning system failures and accurately detects the cause of electrical and system related failures without any sensors. A flashing LED indicator communicates the ALERT code to quickly direct the technician to the root cause of a problem.

High Pressure Switch (HPS) - A high-pressure switch is factory-installed and located in the compressor discharge line internal to the outdoor unit. The switch is designed to de-energize the system when very high pressures occur during abnormal conditions. Under normal conditions, the switch is closed. If the discharge pressure rises above 575 psig, then the switch will open and de-energize the outdoor unit. The switch will close again once the liquid pressure decreases to 460 psig. Please note that the switch interrupts the thermostat inputs to the unit. When the switch opens and then closes, there will be a 5 minute short cycling delay before the outdoor unit will energize.

Low Pressure Switch (LPS) - A low-pressure switch is factory-installed in select models only. If provided, this located in the suction line internal to the outdoor unit. The switch is designed to protect the compressor from a loss of charge. Under normal conditions, the switch is closed. If the suction pressure falls below 5 psig, then the switch will open and de-energize the outdoor unit. The switch will close again once the suction pressure increases above 20 psig. Please note that the switch interrupts the thermostat inputs to the unit. When the switch opens and then closes, there will be a 5 minute short cycling delay before the outdoor unit will energize.

T4BE REFRIGERANT CHARGING CHARTS - COOLING ONLY

Application notes for using charging charts

- This equipment's cooling system contains refrigerant under high pressure. Always use safe and environmentally sound methods when handling refrigerant handling or servicing the unit. Review the factory literature and safety warnings prior to servicing.
- When repairing system leaks, always use a nitrogen (inert) gas to protect the refrigerant system and pressure check the repair before re-charging. Always replace the filter-dryers when performing any repair to the refrigeration system with one capable of acid removal. After completing the repairs, evacuate the system to 350 - 500 microns and weigh in the refrigerant to the amount specified on the unit rating label.
- Charging charts are valid for a variety of indoor, return air conditions and are most influenced by the outdoor ambient temperature, outdoor fan operation and the unit operating voltage. Before using these charts, make sure the unit is in a stable operating mode. As shown in the charging charts (Figures 4 - 10, pages 10 - 13), the ideal system sub-cooling can vary over the range of operation. Reference the charts to determine the ideal amount of sub-cooling for a given liquid pressure. Units charged to other values will not perform at the rated unit efficiency (EER) or rated Coefficient of Performance (COP) in heating mode.
- To inspect a systems operation using quality instruments, match the measured liquid temperature to the units chart. The measured liquid pressure reading should be within 3% of the charts value for most installations.
- For systems that are operating with more than a 5% deviation, inspect the unit for the proper voltage and phase balance and the refrigeration system for leaks.
- Units that are operating at less then 95% of the nominal voltage or with a 2% phase imbalance may see a more significant deviation than the amount stated above.
- **DO NOT** use the charts in systems that have a fan cycling under low-ambient control. Refer to the low-ambient kit instructions for more information. (If applicable)

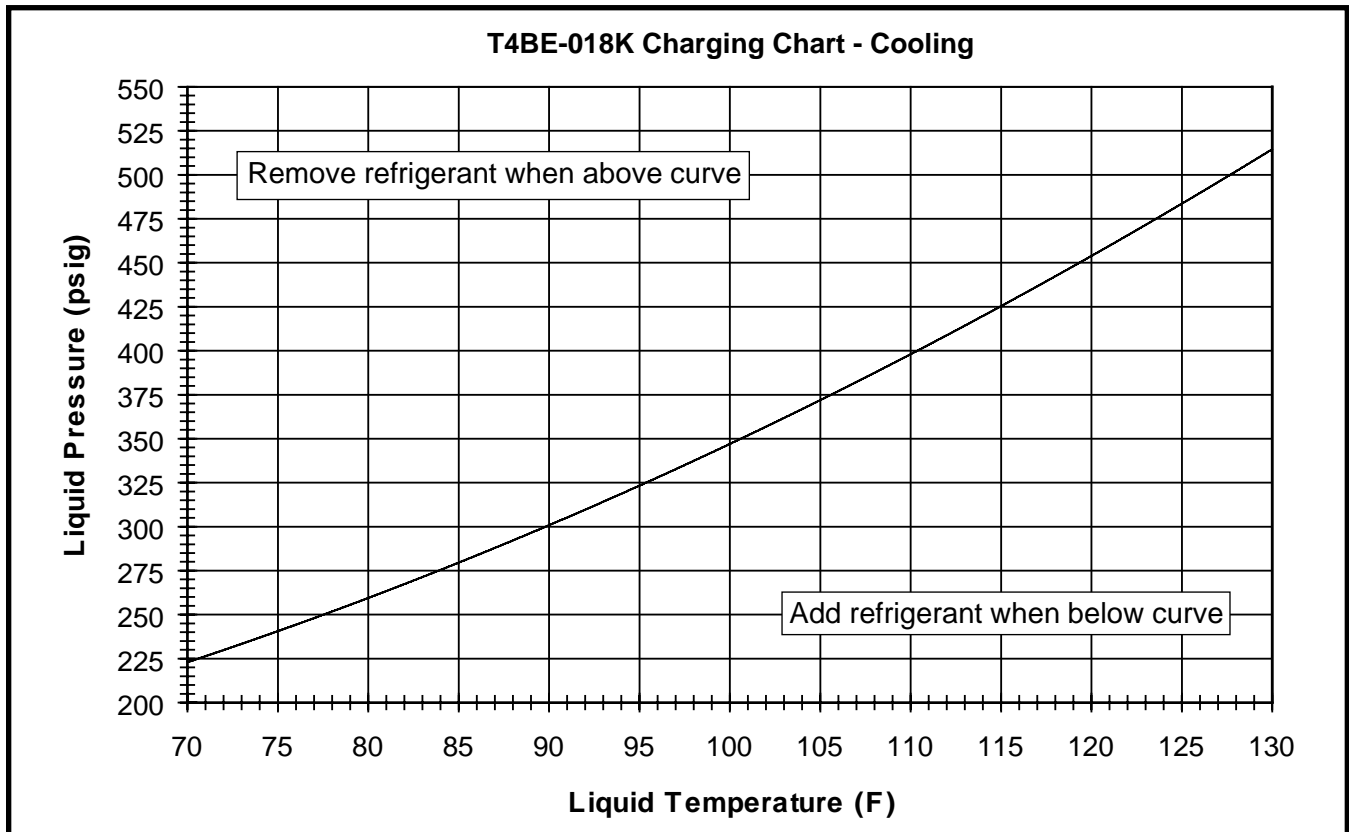


Figure 4. Charging Chart for T4BE-018 Series (1.5 Ton Units) - TXV Matches

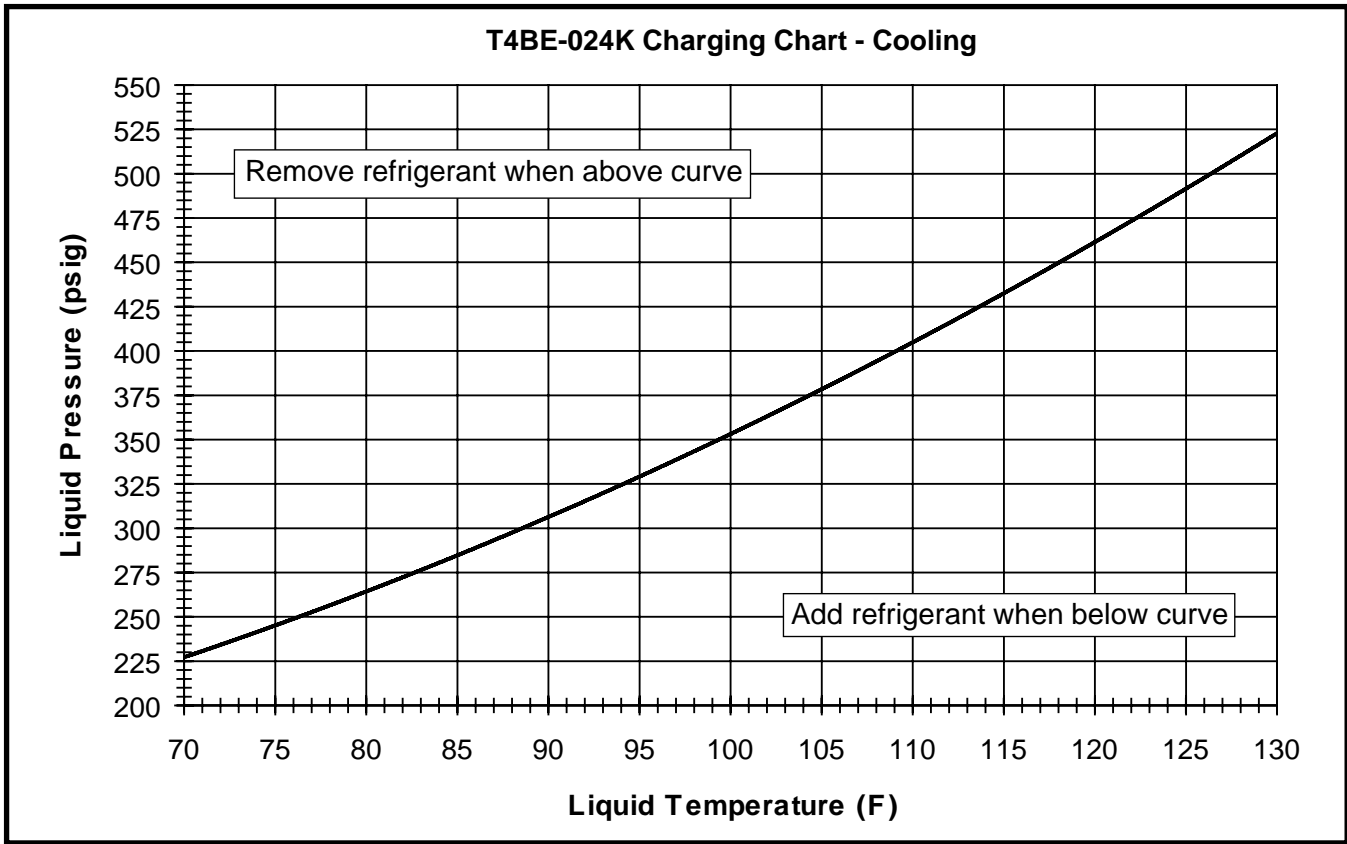


Figure 5. Charging Chart for T4BE-024 Series (2 Ton Units) - TXV Matches

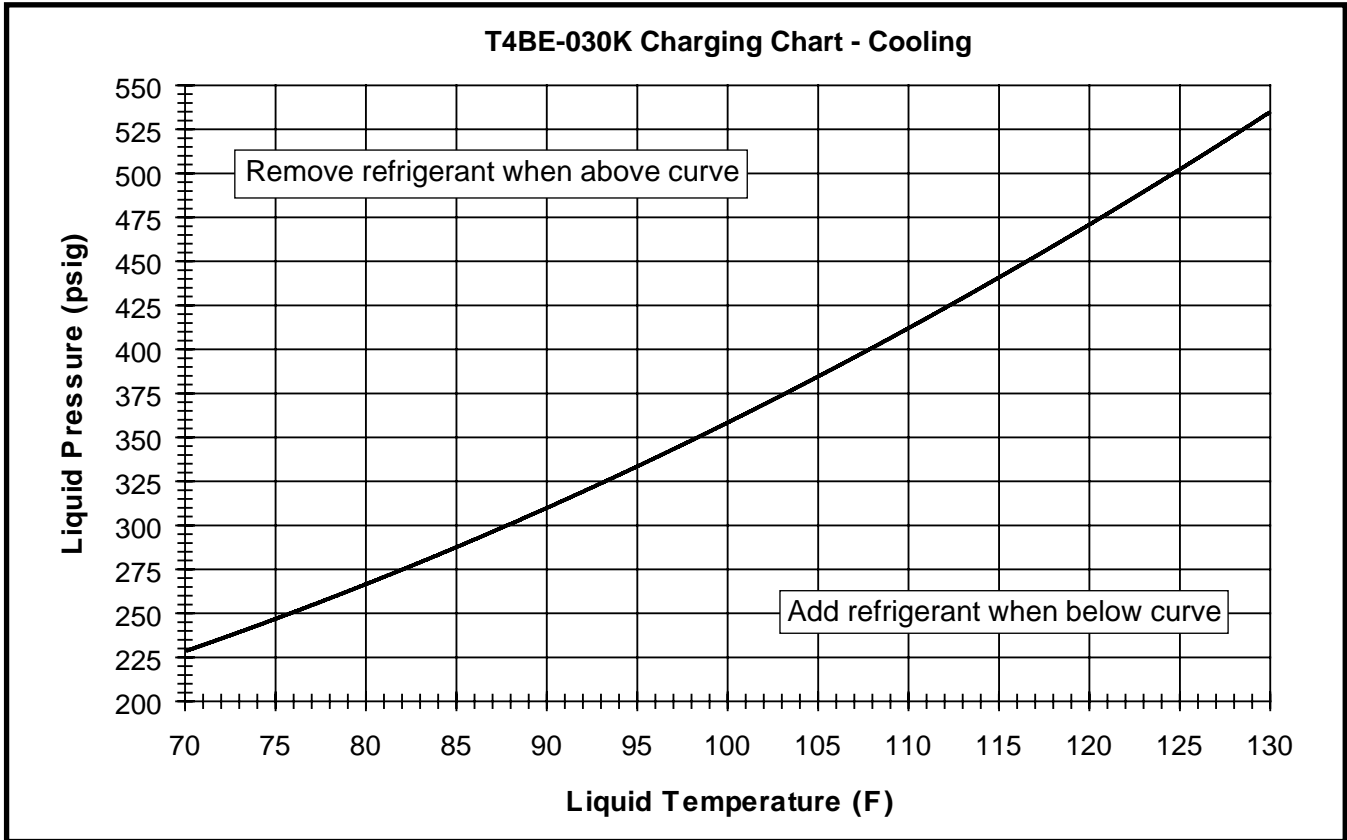


Figure 6. Charging Chart for T4BE-030 Series (2.5 Ton Units) - TXV Matches

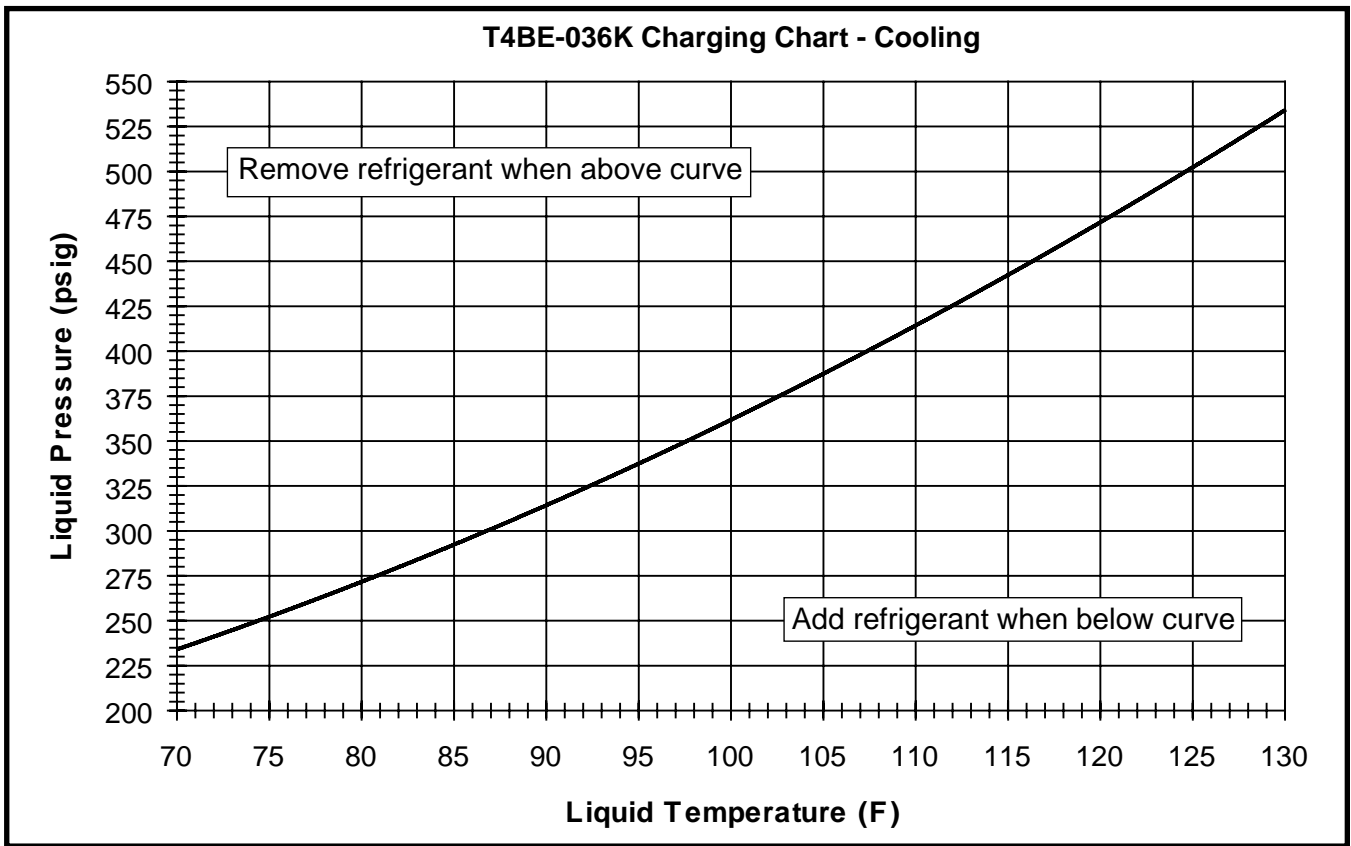


Figure 7. Charging Chart for T4BE-036 Series (3 Ton Units) - TXV Matches

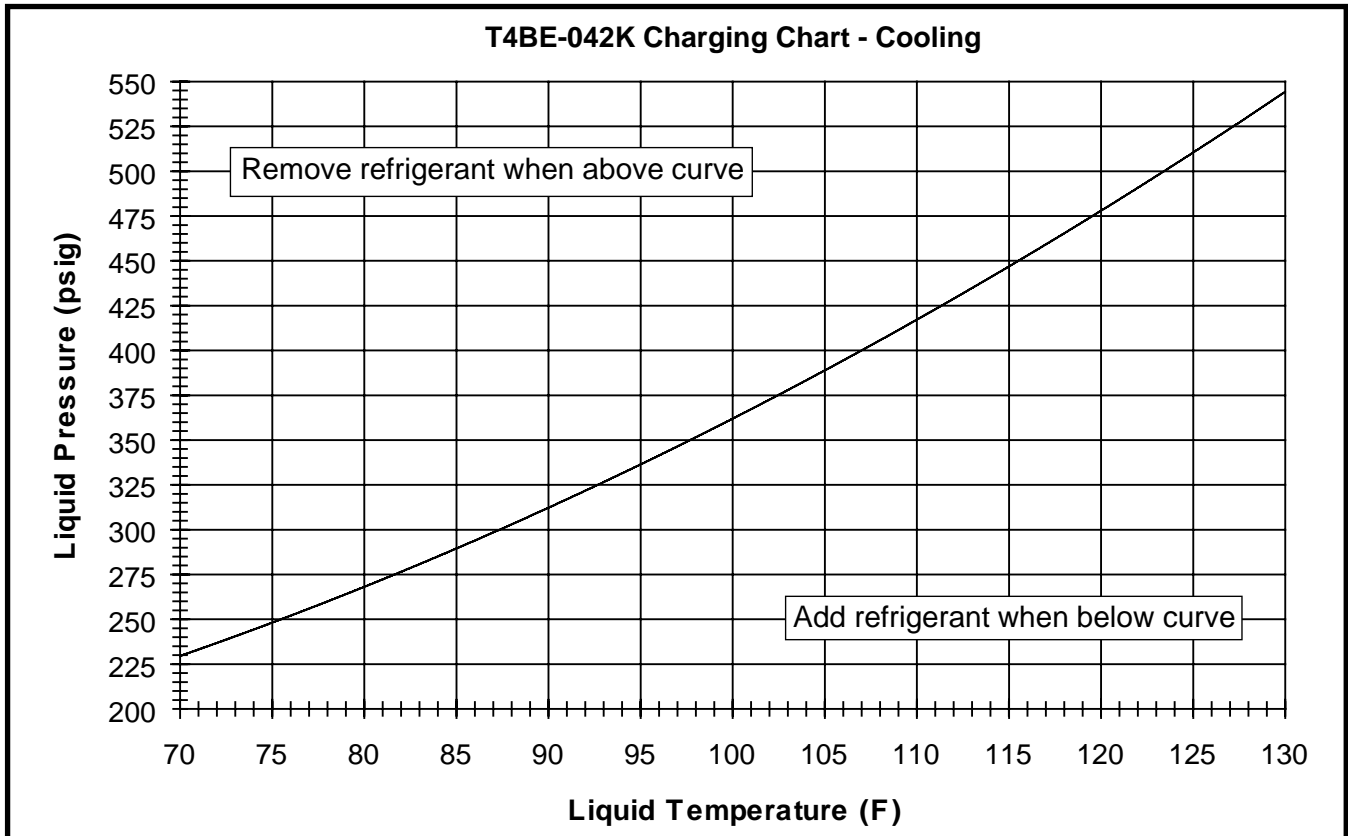


Figure 8. Charging Chart for T4BE-042 Series (3.5 Ton Units) - TXV Matches

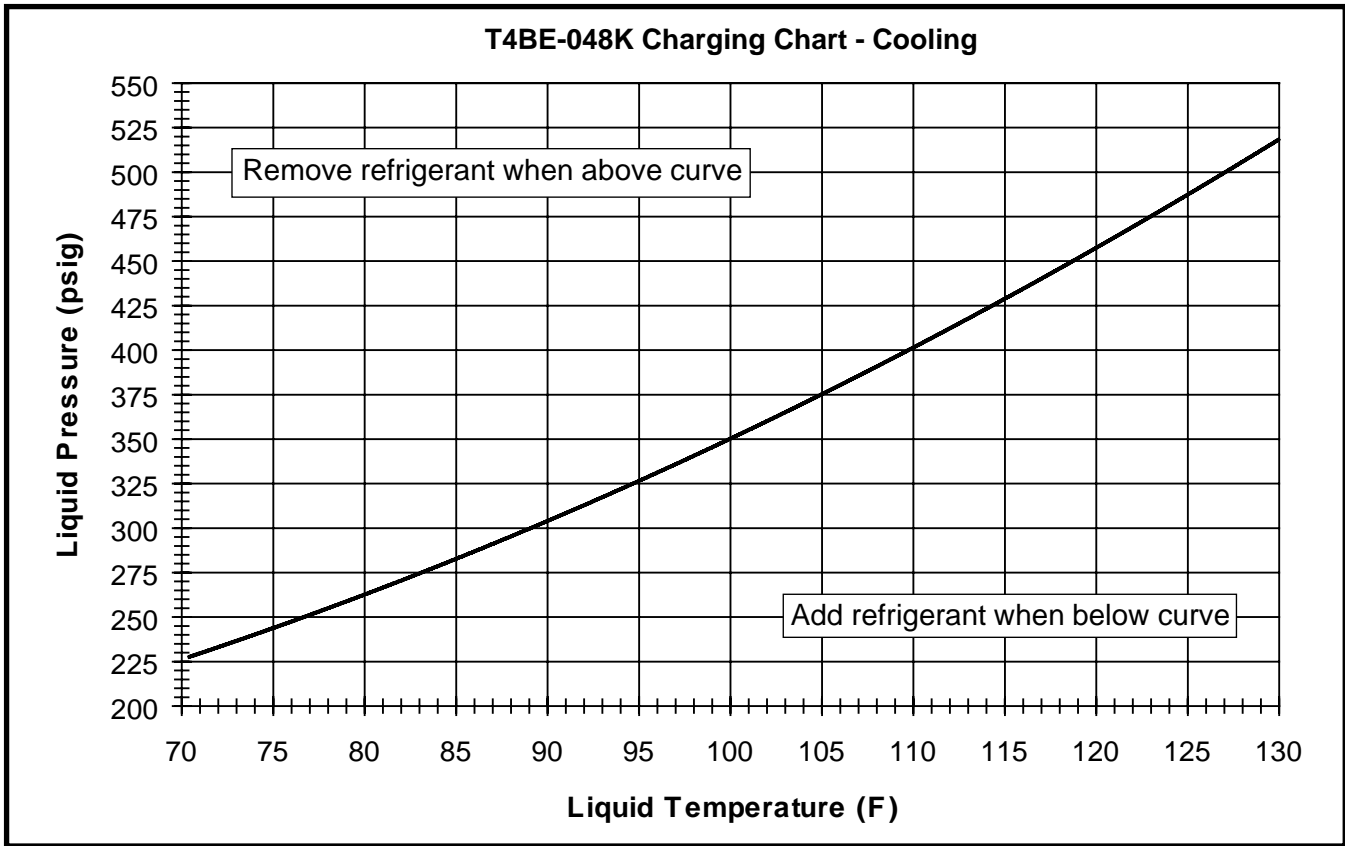


Figure 9. Charging Chart for T4BE-048 Series (4 Ton Units) - TXV Matches

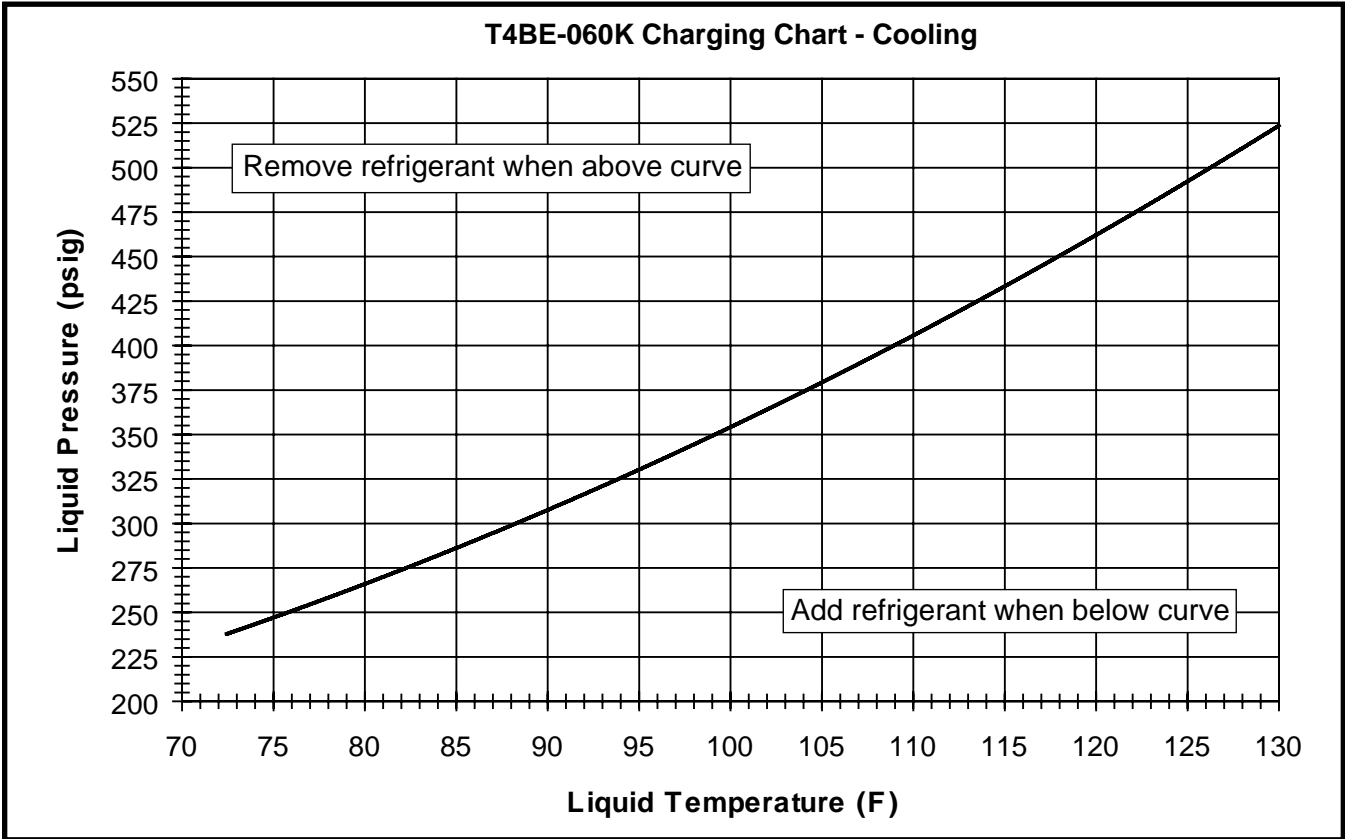

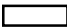


Figure 10. Charging Chart for T4BE-060 Series (5 Ton Units) - TXV Matches

T4BE HEAT MODE VERIFICATION CHARTS - HEATING ONLY

Application Notes on the use of Heating-mode charge verification charts:

LEGEND

-  Shaded boxes indicate flooded conditions.
-  Rated design values. Suction pressure will vary from design value if outdoor air flow, entering dry bulb, or entering wet bulb temperatures vary.

NOTES:

1. All pressures are listed psig and all temperatures in °F
2. Discharge temperatures greater than charted values indicate an undercharged system.

- **Read all notes and warnings for the Cooling-mode charging charts prior to using these Heating-mode charge verification charts. Always use safe and environmentally sound methods when handling refrigerant handling or servicing the unit. Review the factory literature and safety warnings prior to servicing.**
- When repairing system leaks, always use a nitrogen (inert) gas to protect the refrigerant system and pressure check the repair before re-charging. Always replace the filter-dryers when performing any repair to the refrigeration system with one capable of acid removal. After completing the repairs, evacuate the system to 350 - 500 microns and weigh in the refrigerant to the amount specified on the unit rating label.
- Before using the heat mode verification tables (Tables 3 - 9, pages 15 - 17), determine the outdoor ambient temperature and the return air temperature to the unit. Locate the appropriate location on the units verification chart based on those measurements to determine the ideal liquid line pressure and temperature. Verify the outdoor fan and compressor are running and the outdoor coil is free from frost accumulation. Also verify the system is not operating in defrost mode before inspecting the system.
- Always use quality instruments that are in good working order to measure the actual operating point of the refrigeration system. The liquid line temperature should be within 2 degrees of the ideal value and the pressure should be within 2%.
- The most reliable way of verifying the system is at the correct charge is to evacuate the system and weigh in the charge to the amount shown on the rating label. However, if an inspection with these verification charts does not line up with the values shown and the ambient temperature is above 50° F, then a more accurate way to inspect the system for proper charge is with the cooling mode charging charts. Switch the unit into cooling mode and allow it to operate and stabilize for a few minutes then inspect the unit operation with the cooling mode charts and procedures.

Before changing the unit charge, always inspect the following items first:

1. Inspect the liquid line temperature on the inlet and outlet of the filter dryers. If it is the factory dryer and in good condition there should be no temperature difference. If the temperature difference is larger than 5°, replace the filter dryer with one that is bi-directional and has acid removal capability. Refer to the unit RPL for the recommended part number and size.
2. Inspect the units input voltage. Units operating at less than 95% of the nominal voltage may deviate more from the chart than previously stated.
3. Inspect the input voltage for a phase imbalance. Units with greater than a 2% disparity will not operate at the rated performance.
4. Verify that the unit filters are installed and are clean. The pressure drop across the filters should not exceed 0.08 in-W.C.
5. Inspect the indoor coil, indoor blower and blower motor for cleanliness, clogging, and proper operation.
6. Inspect the system for leaks. If any leaks are detected, repair them immediately. Re-inspect the return air and ambient temperatures and verify that the correct system point on the verification chart was selected.

DO NOT use the charts in systems that have the fan cycling under a low-ambient control. Low-ambient controls are for cooling operation. In heating mode, the low ambient control should be disabled. Unless the unit is in defrost mode, the outdoor fan should always operate in conjunction with the compressor.

OUTDOOR TEMPERATURE (DEG. F)																					
Suc. Press.	0			10			20			30			40			50			60		
	Liquid Press.	Disch. Temp.	Suc. Press.	Liquid Press.	Disch. Temp.	Suc. Press.	Liquid Press.	Disch. Temp.	Suc. Press.	Liquid Press.	Disch. Temp.	Suc. Press.	Liquid Press.	Disch. Temp.	Suc. Press.	Liquid Press.	Disch. Temp.	Suc. Press.	Liquid Press.	Disch. Temp.	
39	199	106	55	229	116	70	259	126	85	290	135	101	309	151	118	341	172	135	373	193	
40	206	104	56	235	114	71	264	124	86	293	133	102	316	148	119	348	167	136	380	187	
41	213	102	57	241	112	72	269	122	87	297	131	103	323	145	120	355	163	137	387	181	
42	220	100	58	247	110	73	274	120	88	301	129	104	330	142	121	362	158	138	394	175	
43	227	98	59	253	108	74	278	118	89	304	127	105	337	139	122	369	154	139	401	168	
139	234	96	60	258	106	75	283	116	90	308	125	106	344	136	123	376	149	140	408	162	
45	241	94	61	264	104	76	288	114	91	312	123	107	351	134	124	383	145	141	415	156	

Table 3. Charging Table for T4BE-018 Series (1.5 Ton Units)

OUTDOOR TEMPERATURE (DEG. F)																					
Suc. Press.	0			10			20			30			40			50			60		
	Liquid Press.	Disch. Temp.	Suc. Press.	Liquid Press.	Disch. Temp.	Suc. Press.	Liquid Press.	Disch. Temp.	Suc. Press.	Liquid Press.	Disch. Temp.	Suc. Press.	Liquid Press.	Disch. Temp.	Suc. Press.	Liquid Press.	Disch. Temp.	Suc. Press.	Liquid Press.	Disch. Temp.	
39	209	117	53	242	124	68	276	132	82	309	139	98	333	155	117	371	180	135	408	204	
40	216	115	54	248	122	69	280	130	83	312	137	99	340	153	118	378	175	136	415	198	
41	223	113	55	254	120	70	285	128	84	316	135	100	347	150	119	385	171	137	422	192	
42	230	111	56	260	118	71	290	126	85	320	133	101	354	147	120	382	166	138	429	186	
43	237	109	57	266	116	72	295	124	86	323	131	102	361	144	121	399	162	139	436	180	
44	244	107	58	272	114	73	299	122	87	327	129	103	368	141	122	406	157	140	443	174	
45	251	105	59	278	112	74	304	120	88	331	127	104	375	138	123	413	153	141	450	167	

Table 4. Charging Table for T4BE-024 Series (2 Ton Units)

OUTDOOR TEMPERATURE (DEG. F)																					
Suc. Press.	0			10			20			30			40			50			60		
	Liquid Press.	Disch. Temp.	Suc. Press.	Liquid Press.	Disch. Temp.	Suc. Press.	Liquid Press.	Disch. Temp.	Suc. Press.	Liquid Press.	Disch. Temp.	Suc. Press.	Liquid Press.	Disch. Temp.	Suc. Press.	Liquid Press.	Disch. Temp.	Suc. Press.	Liquid Press.	Disch. Temp.	
36	198	114	51	237	124	65	276	135	80	315	145	95	343	162	110	382	183	126	422	205	
37	205	112	52	243	122	66	281	133	81	319	143	96	350	159	111	389	179	127	429	199	
38	212	110	53	249	120	67	286	131	82	322	141	97	357	156	112	396	174	128	436	193	
39	219	108	54	255	118	68	290	129	83	326	139	98	364	153	113	403	170	129	443	187	
40	226	106	55	261	116	69	295	127	84	330	137	99	371	150	114	410	165	130	450	181	
41	233	104	56	266	114	70	300	125	85	333	135	100	378	147	115	417	161	131	457	174	
42	240	102	57	272	112	71	305	123	86	337	133	101	385	145	116	424	156	132	464	168	

Table 5. Charging Table for T4BE-030 Series (2.5 Ton Units)

OUTDOOR TEMPERATURE (DEG. F)																			
0		10			20			30			40			50			60		
Suc. Press.	Liquid Press.	Disch. Temp.	Suc. Press.	Liquid Press.	Disch. Temp.	Suc. Press.	Liquid Press.	Disch. Temp.	Suc. Press.	Liquid Press.	Disch. Temp.	Suc. Press.	Liquid Press.	Disch. Temp.	Suc. Press.	Liquid Press.	Disch. Temp.		
35	199	116	50	227	123	65	255	129	80	283	136	95	299	150	111	325	171		
36	206	114	51	233	121	66	260	127	81	287	134	96	306	147	112	332	166		
37	213	112	52	239	119	67	265	125	82	290	132	97	313	144	113	339	162		
38	220	110	53	245	117	68	269	123	83	294	130	98	320	141	114	346	157		
39	227	108	54	251	115	69	274	121	84	298	128	99	327	139	115	353	153		
40	234	106	55	256	113	70	279	119	85	301	126	100	334	136	116	360	148		
41	241	104	56	262	111	71	284	117	86	305	124	101	341	133	117	367	144		

Table 6. Charging Table for T4BE-036 Series (3 Ton Units)

OUTDOOR TEMPERATURE (DEG. F)																			
0		10			20			30			40			50			60		
Suc. Press.	Liquid Press.	Disch. Temp.	Suc. Press.	Liquid Press.	Disch. Temp.	Suc. Press.	Liquid Press.	Disch. Temp.	Suc. Press.	Liquid Press.	Disch. Temp.	Suc. Press.	Liquid Press.	Disch. Temp.	Suc. Press.	Liquid Press.	Disch. Temp.		
35	208	111	49	234	124	63	261	137	76	288	150	90	304	163	103	331	174		
36	215	109	50	240	122	64	266	135	77	292	148	91	311	160	104	338	170		
37	222	107	51	246	120	65	271	133	78	295	146	92	318	157	105	345	165		
38	229	105	52	252	118	66	276	131	79	299	144	93	325	154	106	352	161		
39	236	103	53	258	116	67	281	129	80	303	142	94	332	151	107	359	156		
40	243	101	54	264	114	68	285	127	81	306	140	95	339	148	108	366	152		
41	250	99	55	270	112	69	290	125	82	310	138	96	346	146	109	373	147		

Table 7. Charging Table for T4BE-042 Series (3.5 Ton Units)

OUTDOOR TEMPERATURE (DEG. F)																			
0		10			20			30			40			50			60		
Suc. Press.	Liquid Press.	Disch. Temp.	Suc. Press.	Liquid Press.	Disch. Temp.	Suc. Press.	Liquid Press.	Disch. Temp.	Suc. Press.	Liquid Press.	Disch. Temp.	Suc. Press.	Liquid Press.	Disch. Temp.	Suc. Press.	Liquid Press.	Disch. Temp.		
37	217	126	50	237	133	62	256	141	75	276	148	88	293	158	101	302	170		
38	224	124	51	243	131	63	261	139	76	279	146	89	290	155	102	309	166		
39	231	122	52	248	129	64	266	137	77	283	144	90	297	152	103	316	161		
40	238	120	53	254	127	65	270	135	78	287	142	91	304	149	104	323	157		
41	245	118	54	260	125	66	275	133	79	290	140	92	311	146	105	330	152		
42	252	116	55	266	123	67	280	131	80	294	138	93	318	143	106	337	148		
43	259	114	56	272	121	68	285	129	81	298	136	94	325	141	107	344	143		

Table 8. Charging Table for T4BE-048 Series (4 Ton Units)

OUTDOOR TEMPERATURE (DEG. F)																					
Suc. Press	0			10			20			30			40			50			60		
	Liquid Press.	Disch. Temp.	Suc. Press.	Liquid Press.	Disch. Temp.	Suc. Press.	Liquid Press.	Disch. Temp.	Suc. Press.	Liquid Press.	Disch. Temp.	Suc. Press.	Liquid Press.	Disch. Temp.	Suc. Press.	Liquid Press.	Disch. Temp.	Suc. Press.	Liquid Press.	Disch. Temp.	
35	227	152	46	249	159	57	272	166	68	294	173	79	304	182	88	324	192	97	345	202	
36	234	150	47	255	157	58	276	164	69	298	171	80	311	179	89	331	187	98	352	195	
37	241	148	48	261	155	59	281	162	70	301	169	81	318	176	90	338	183	99	359	189	
38	248	146	49	267	153	60	286	160	71	305	167	82	325	173	91	345	178	100	366	183	
39	255	144	50	273	151	61	291	158	72	309	165	83	332	170	92	352	174	101	373	177	
40	262	142	51	279	149	62	296	156	73	312	163	84	339	168	93	359	168	102	380	171	
41	269	140	52	285	147	63	300	154	74	316	161	85	346	165	94	366	165	103	387	165	

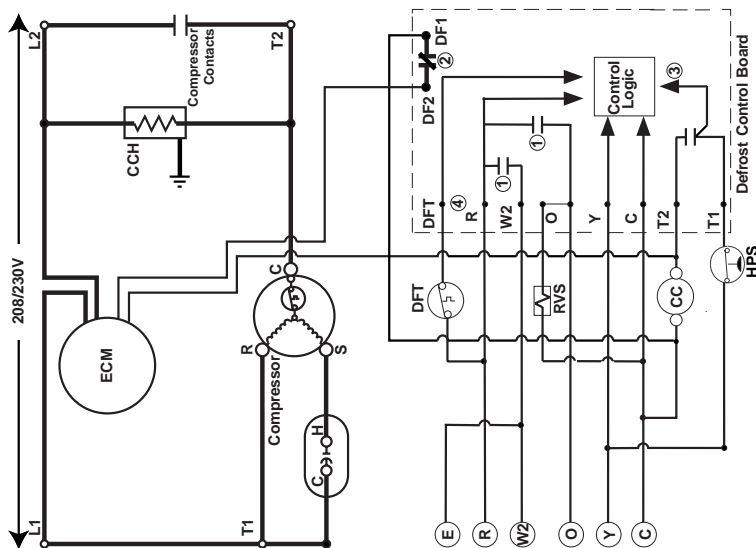
Table 9. Charging Table for T4BE-060 Series (5 Ton Units)

WIRING DIAGRAM

Split System Heat Pump (Outdoor Section)

NOTES:

1. Disconnect all power before servicing.
2. For supply connections use copper conductors only.
3. Not suitable on systems that exceed 150 volts to ground.
4. For replacement wires use conductors suitable for 105°C.
5. For ampacities and overcurrent protection, see unit rating plate.
6. Connect to 24 vac/40va/class 2 circuit. See furnace/air handler installation instructions for control circuit and optional relay/transformer kits.



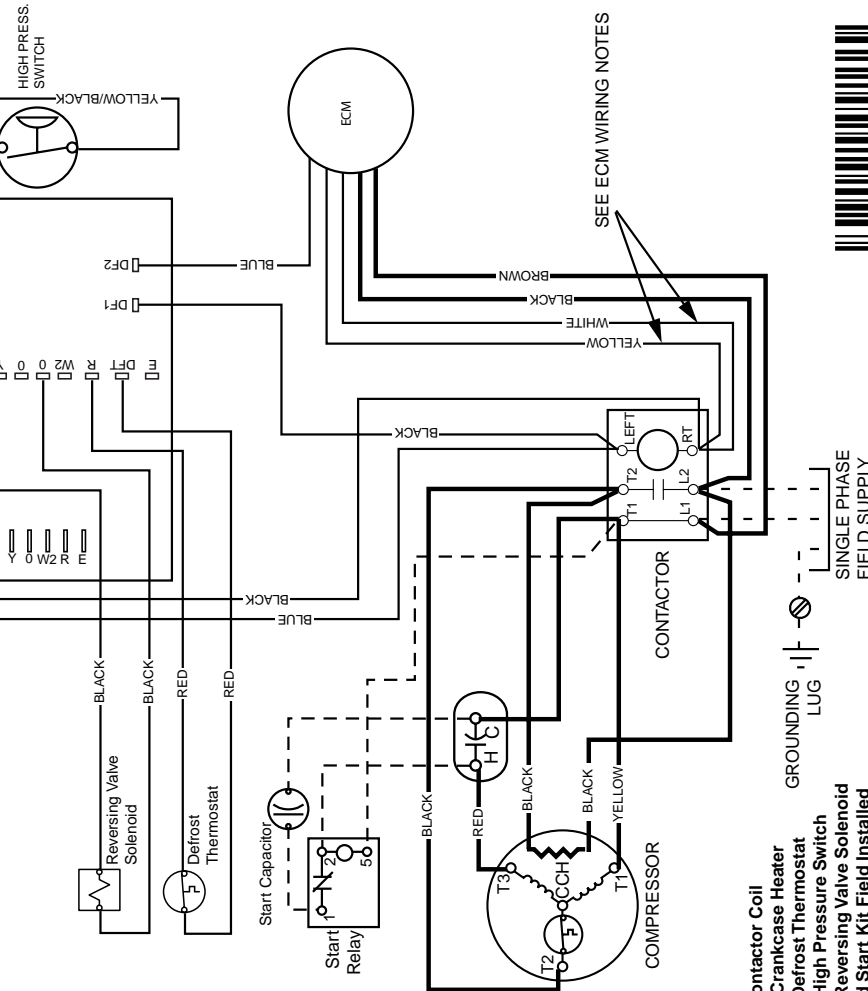
Defrost Board Operation:

1. Closing during defrost. Rating: 1 Amp.Max
2. Opens during defrost. Rating: 2HP at 230 Vac Max.
3. Closed when "y" is on. Open when "y" is off. Provides "off" delay time of 5 min. when "y" opens.
4. With DFT closed and "y" closed, compressor run time is accumulated. Opening of DFT during defrost or interval period resets the interval to 0.

Single Phase

1. Couper le courant avant de faire leretien.
2. Employez uniquement des conducteurs en cuivre.
3. Ne convient pas aux installations de plus de 150 volt a la terre.

LEGEND:



- CC - Contactor Coil
- CCH - Crankcase Heater
- DFT - Defrost Thermostat
- HPS - High Pressure Switch
- RVS - Reversing Valve Solenoid
- * - Hard Start Kit Field Installed

ECM WIRING NOTES:
 1) FOR 925 RPM ATTACH WHITE TO RIGHT CONTACTOR. FOR SKUS 919660, 919661, 919662, 919664
 2) FOR 960 RPM ATTACH YELLOW TO RIGHT CONTACTOR. (FOR SKU 919665)
 3) FOR 1100 RPM ATTACH WHITE AND YELLOW TO RIGHT CONTACTOR.



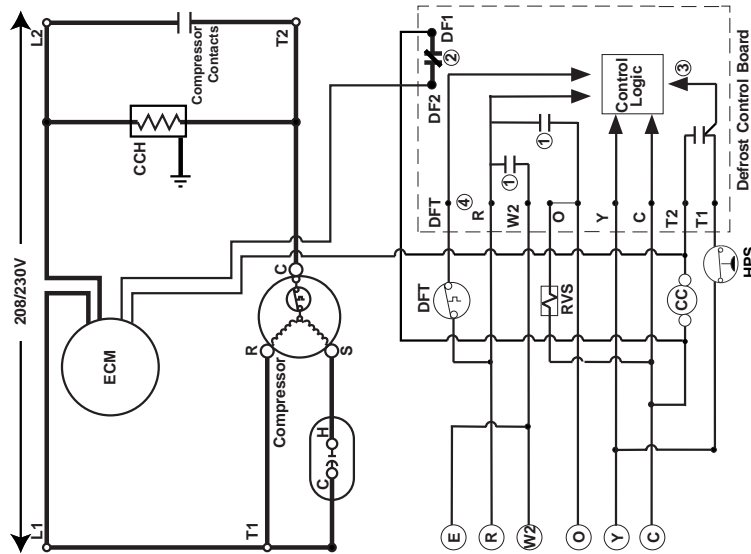
710658A (Replaces 7106580)

Figure 11. Wiring Diagram for CSH4BE, DT4BE, ET4BE, JT4BE, & MSH4BE Series (1.5 to 3.5 Ton Models)

WIRING DIAGRAM

Split System Heat Pump (Outdoor Section)

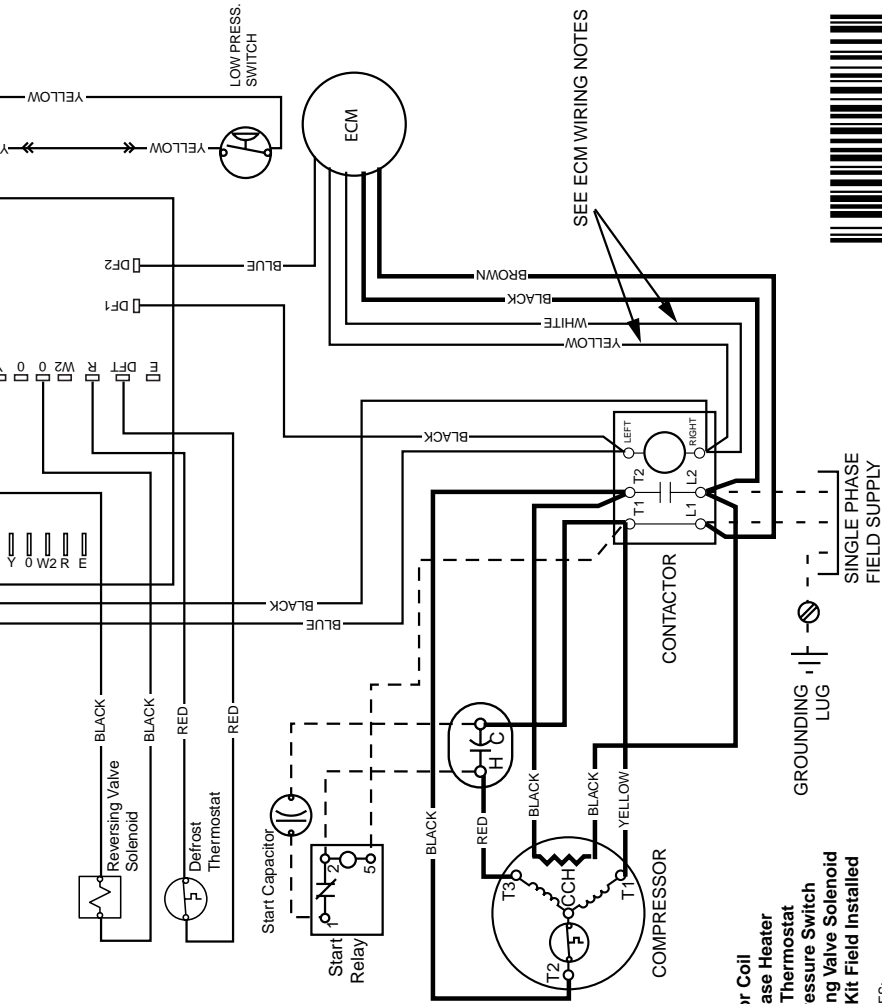
- NOTES:**
1. Disconnect all power before servicing.
 2. For supply connections use copper conductors only.
 3. Not suitable on systems that exceed 150 volts to ground.
 4. For replacement wires use conductors suitable for 105°C.
 5. For ampacities and overcurrent protection, see unit rating plate.
 6. Connect to 24 vac/40va/class 2 circuit. See urnace/air handler installation instructions for control circuit and optional relay/transformer kits.



- Defrost Board Operation:**
1. Closing during defrost. Rating: 1 Amp Max
 2. Opens during defrost. Rating: 2HP at 230 Vac Max.
 3. Closed when "Y" is on. Open when "Y" is off. Provides "off" delay time of 5 min. when "Y" opens.
 4. With DFT closed and "Y" closed, compressor run time is accumulated. Opening of DFT during defrost or interval period resets the interval to 0.

Single Phase

1. Couper le courant avant de faire l'entretien.
2. Employez uniquement des conducteurs en cuivre.
3. Ne convient pas aux installations de plus de 150 volt a la terre.



- ECM WIRING NOTES:**
- 1) FOR 825 RPM ATTACH WHITE TO RIGHT CONTACTOR. (FOR SKU 919660, 919661, 919662, 919664)
 - 2) FOR 960 RPM ATTACH YELLOW TO RIGHT CONTACTOR. (FOR SKU 919663)
 - 3) FOR 1100 RPM ATTACH WHITE AND YELLOW TO RIGHT CONTACTOR.

- CC - Contactor Coil
- CCH - Crankcase Heater
- DFT - Defrost Thermostat
- HPS - High Pressure Switch
- RVS - Reversing Valve Solenoid
- * - Hard Start Kit Field Installed



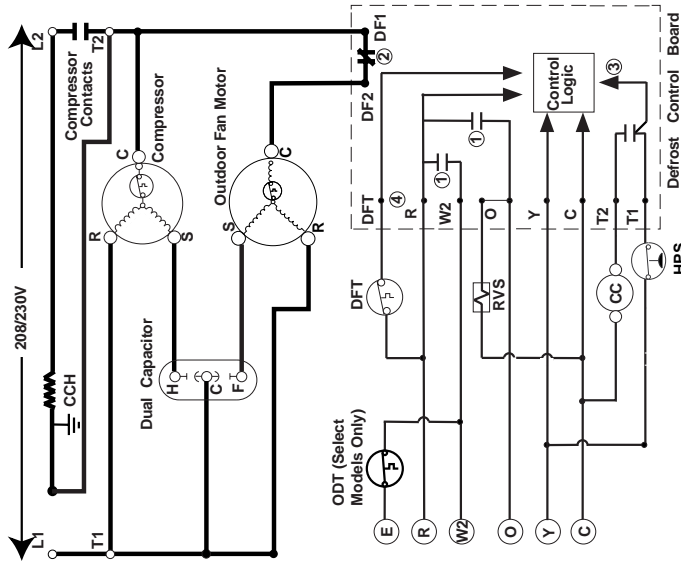
710659A (Replaces 7106590)

Figure 12. Wiring Diagram for FT4BE Series (1.5 to 3.5 Ton Models)

WIRING DIAGRAM

Split System Heat Pump (Outdoor Section)

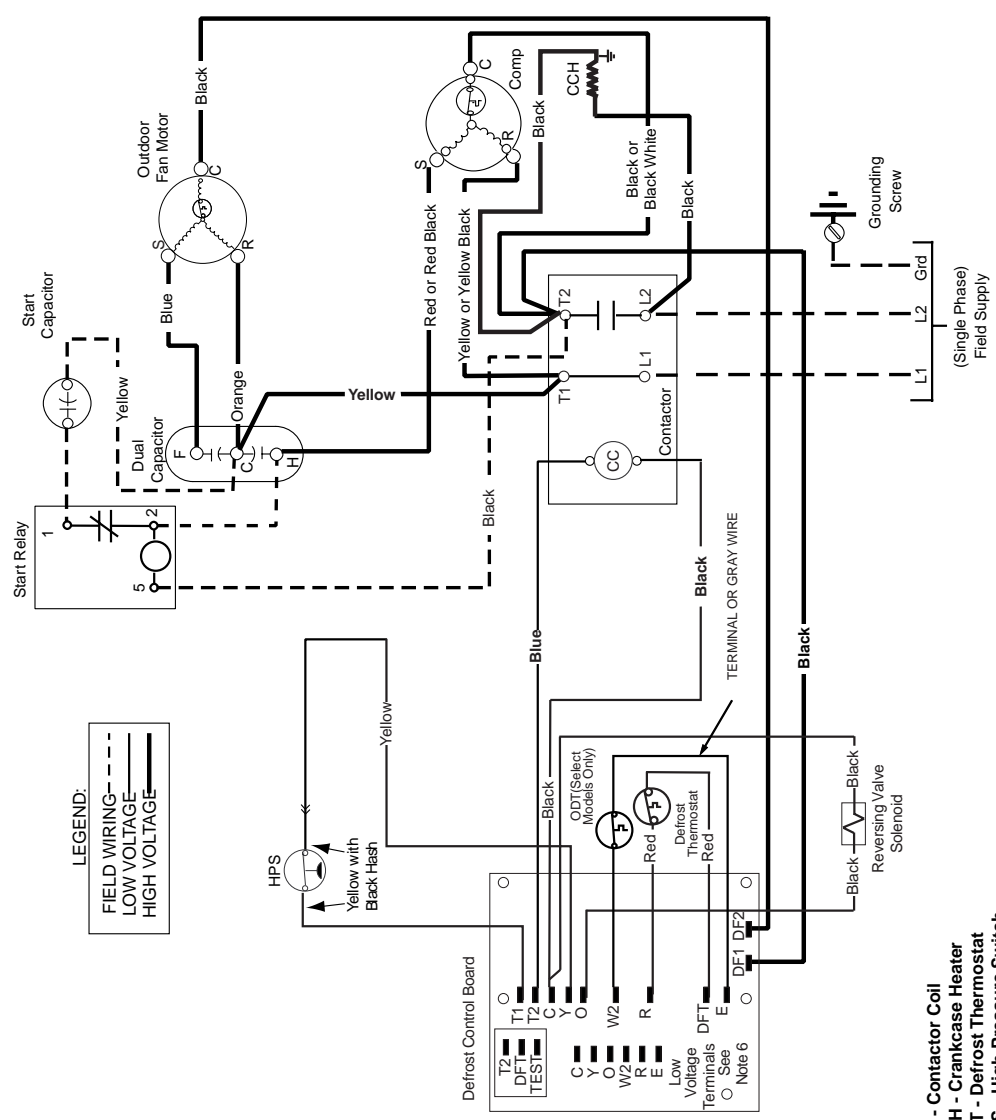
- NOTES:**
1. Disconnect all power before servicing.
 2. For supply connections use copper conductors only.
 3. Not suitable on systems that exceed 150 volts to ground
 4. For replacement wires use conductors suitable for 105° C.
 5. For ampacities and overcurrent protection, see unit rating plate.
 6. Connect to 24 vac/40va/class 2 circuit. See furnace/air handler installation instructions for control circuit and optional relay/transformer kits.



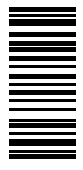
- Defrost Board Operation:**
- ① Closing during defrost.Rating: 1 Amp.Max.
 - ② Opens during defrost.Rating: 2HP at 230 Vac Max.
 - ③ Closed when "y" is on. Open when "y" is off. Provides "off" delay time of 5 min. when "y" opens.
 - ④ With DFT closed and "y" closed, compressor run time is accumulated. Opening of DFT during defrost or interval period resets the interval to 0.

Single Phase

1. Couper le courant avant de faire leretien.
2. Employez uniquement des conducteurs en cuivre.
3. Ne convient pas aux installations de plus de 150 volt a la terre.



- CC - Contactor Coil**
CCH - Crankcase Heater
DFT - Defrost Thermostat
HPS - High Pressing Switch
RVS - Reversing Valve Solenoid
*** - Hard Start Kit Field Installed**
ODT - Outdoor Thermostat



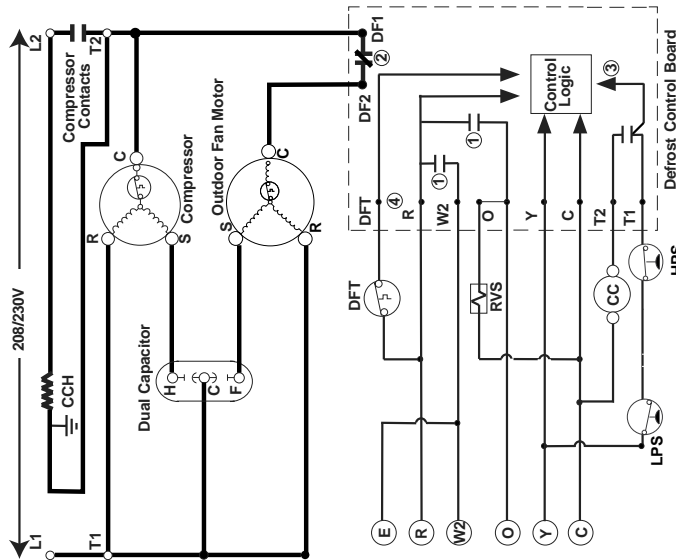
710507-D
 (Replaces 710507-C)
 06/11

Figure 14. Wiring Diagram for CSH4BE, DT4BE, ET4BE, JT4BE, & MSH4BE Series - (4 & 5 Ton Models)

WIRING DIAGRAM

Split system Heat Pump (Outdoor Section)

- NOTES:**
1. Disconnect all power before servicing.
 2. For supply connections use copper conductors only.
 3. Not suitable on systems that exceed 150 volts to ground.
 4. For replacement wires use conductors suitable for 105° C.
 5. For ampacities and overcurrent protection, see unit rating plate.
 6. Connect to 24 vac/40va/class 2 circuit. See furnace/air handler installation instructions for control circuit and optional relay/transformer kits.

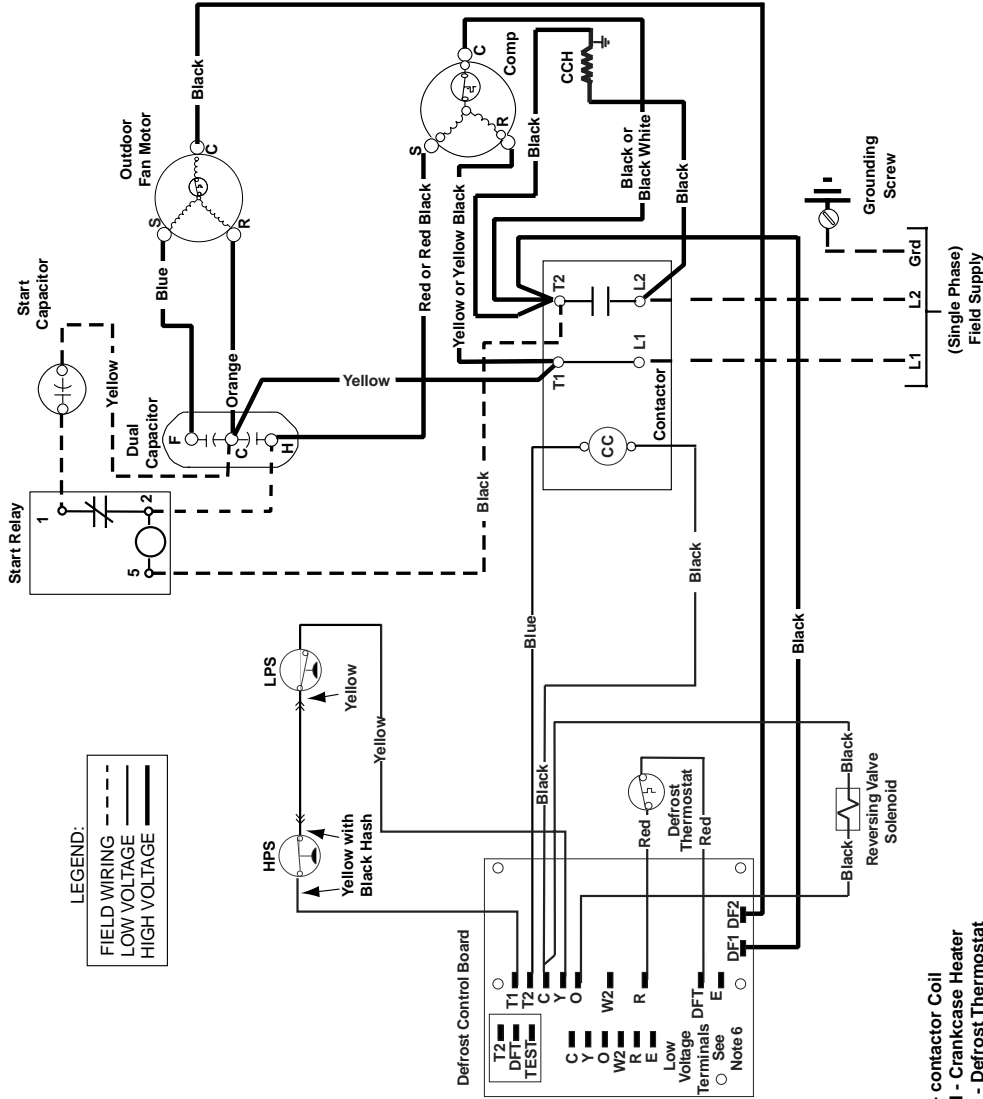


Defrost Board Operation:

1. Closing during defrost. Rating: 1 Amp. Max.
2. Opens during defrost. Rating: 2 HP at 230 Vac Max.
3. Closed when "y" is on. Open when "y" is off. Provides "off" delay time of 5 min. when "y" opens.
4. With DFT closed and "y" closed, compressor run time is accumulated. Opening of DFT during defrost or interval period resets the interval to 0.

Single Phase

1. Couper le courant avant de faire leretien.
2. Employez uniquement des conducteurs en cuivre.
3. Ne convient pas aux installations de plus de 150 volt a la terre.



- CC - contactor Coil
- CCH - Crankcase Heater
- DFT - Defrost Thermostat
- HPS - High Pressure Switch
- RVS - Low Pressure Switch
- LPS - Reversing Valve Solenoid
- * - Hard Start Kit Field Installed



710506B

(Replaces 710506A)

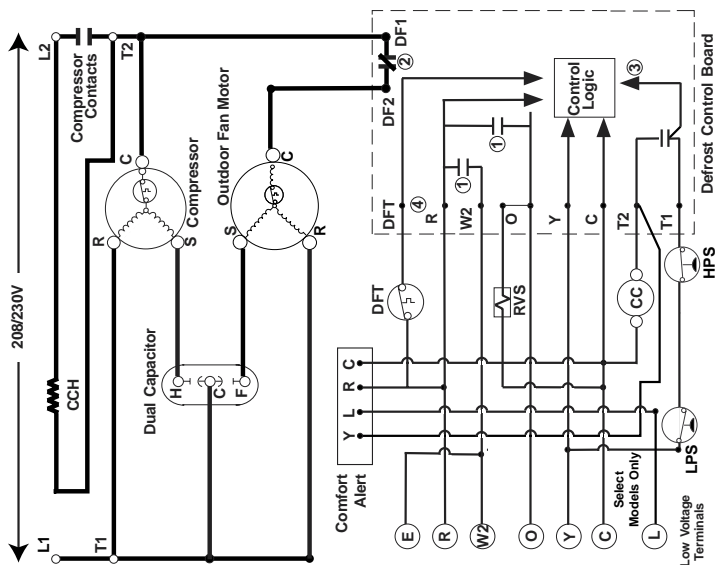
04/07

Figure 15. Wiring Diagram for FT4BE Series - (4 & 5 Ton Models)

WIRING DIAGRAM

Split System Heat Pump (Outdoor Section)

- NOTES:**
1. Disconnect all power before servicing.
 2. For supply connections use copper conductors only.
 3. Not suitable on systems that exceed 150 volts to ground.
 4. For replacement wires use conductors suitable for 105°C.
 5. For ampacities and overcurrent protection, see unit rating plate.
 6. Connect to 24 vac/40va/class 2 circuit. See furnace/air handler installation instructions for control circuit and optional relay/transformer kits.

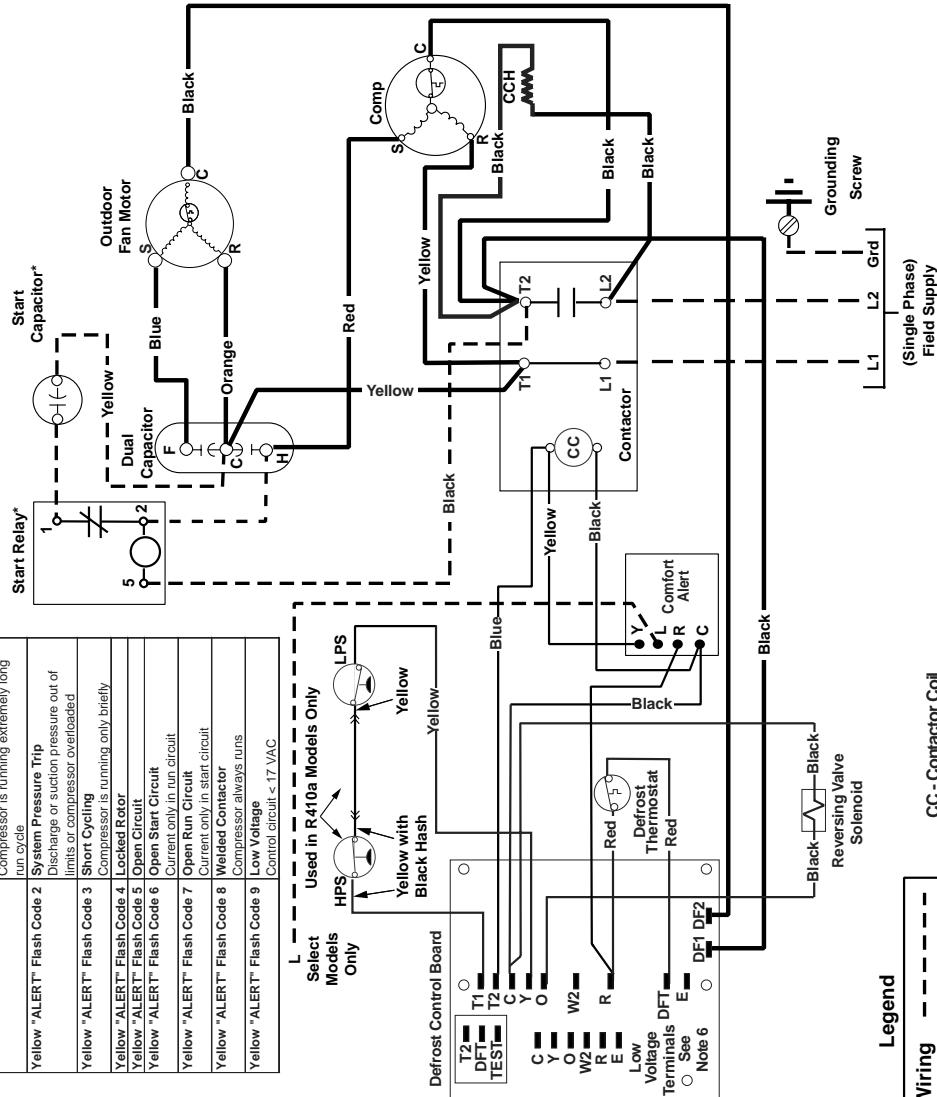


Defrost Board Operation:

- 1 Closing during defrost. Rating: 1 Amp. Max.
- 2 Opens during defrost. Rating: 2 HP at 230 Vac Max.
- 3 Closed when "Y" is on. Open when "Y" is off. Provides "off" delay time of 5 min. when "Y" opens.
- 4 With DFT closed and "Y" closed, compressor run time is accumulated. Opening of DFT during defrost or interval period resets the interval to 0.

Single Phase

1. Couper le courant avant de faire leretien.
2. Employez uniquement des conducteurs en cuivre.
3. Ne convient pas aux installations de plus de 150 volt a la terre.



Status LED	Status LED Description
Green "POWER"	Module has power
Red "TRIP"	Thermostat demand signal Y is present, but the compressor is not running
Yellow "ALERT" Flash Code 1	Long Run Time Compressor is running extremely long run cycle
Yellow "ALERT" Flash Code 2	System Pressure Trip Discharge or suction pressure out of limits or compressor overfueled
Yellow "ALERT" Flash Code 3	Short Cycling Compressor is running only briefly
Yellow "ALERT" Flash Code 4	Locked Rotor
Yellow "ALERT" Flash Code 5	Open Start Circuit
Yellow "ALERT" Flash Code 6	Current only in run circuit
Yellow "ALERT" Flash Code 7	Open Run Circuit
Yellow "ALERT" Flash Code 8	Current only in start circuit
Yellow "ALERT" Flash Code 9	Welded Contactor Compressor always runs Control circuit < 17 VAC

Used in R410a Models Only

- CC - Contactor Coil
- CCH - Crankcase Heater
- DFT - Defrost Thermostat
- HPS - High Pressure Switch
- LPS - Low Pressure Switch
- RVS - Reversing Valve Solenoid
- * - Hard Start Kit Field Installed



710533E
(Replaces 710533D)
06/10

Figure 16. Wiring Diagram for PSH4BE Series (4 & 5 Ton Models with Comfort Alert)

COMFORT ALERT TROUBLESHOOTING

Status LED	Status LED Description	Status LED Troubleshooting Information
POWER (Green LED)	Module has power	Supply voltage is present at module terminals
TRIP (Red LED)	Thermostat demand signal Y is present, but compressor is not running	<ul style="list-style-type: none"> • Compressor protector is open • Check for high head pressure • Check compressor supply voltage • Outdoor unit power disconnect is open • Compressor circuit breaker or fuse(s) is open • Broken wire or connector is not making contact • Low pressure switch open if present in system • Compressor contactor has failed open
ALERT Flash Code 1 (Yellow LED)	Long Run Time Compressor is running extremely long run cycles	<ul style="list-style-type: none"> • Low refrigerant charge • Evaporator blower is not running <ul style="list-style-type: none"> — Check blower relay coil and contacts — Check blower motor capacitor — Check blower motor for failure or blockage — Check evaporator blower wiring and connectors — Check indoor blower control board — Check thermostat wiring for open circuit • Evaporator coil is frozen <ul style="list-style-type: none"> — Check for low suction pressure — Check for excessively low thermostat setting — Check evaporator airflow (coil blockages or return airfilter) — Check ductwork or registers for blockage • Faulty metering device <ul style="list-style-type: none"> — Check TXV bulb installation (size, location and contact) — Check if TXV/fixed orifice is stuck closed or defective • Condenser coil is dirty • Liquid line restriction (filter drier blocked if present in system) • Thermostat is malfunctioning <ul style="list-style-type: none"> — Solenoid plug not connected — Y2 not wired at Comfort Alert — Check thermostat sub-base or wiring for short circuit — Check thermostat installation (location, level) • Comfort Alert failure
ALERT Flash Code 2 (Yellow LED)	System Pressure Trip	<ul style="list-style-type: none"> • High head pressure <ul style="list-style-type: none"> — Check high pressure switch if present in system — Check if system is overcharged with refrigerant — Check for non-condensable in system
	Discharge or suction	<ul style="list-style-type: none"> • Condenser coil poor air circulation (dirty, blocked, damaged)
	Pressure out of limits	<ul style="list-style-type: none"> • Condenser fan is not running <ul style="list-style-type: none"> — Check fan capacitor — Check fan wiring and connectors — Check fan motor for failure or blockage
	Compressor overloaded	<ul style="list-style-type: none"> • Return air duct has substantial leakage • If low pressure switch present in system, check Flash Code 1 information
ALERT Flash Code 3 (Yellow LED)	Short Cycling / Compressor is running only briefly	<ul style="list-style-type: none"> • Thermostat demand signal is intermittent • Low line voltage (contact utility if voltage at disconnect is low) • Excessive liquid refrigerant in compressor • Compressor bearings are seized
ALERT Flash Code 4 (Yellow LED)	Locked Rotor	<ul style="list-style-type: none"> • Run capacitor has failed • Low line voltage (contact utility if voltage at disconnect is low) • Check wiring connections • Excessive liquid refrigerant in compressor • Compressor bearings are seized • Measure compressor oil level
ALERT Flash Code 5 (Yellow LED)	Open Circuit	<ul style="list-style-type: none"> • Outdoor unit power disconnect is open • Compressor circuit breaker or fuse(s) is open • Compressor contactor has failed open <ul style="list-style-type: none"> — Check compressor contactor wiring and connectors — Check for compressor contactor failure (burned, pitted or open) — Check wiring and connectors between supply and compressor — Check for low pilot voltage at compressor contactor coil — High pressure switch is open and requires manual reset • Open circuit in compressor supply wiring or connections • Unusually long compressor protector reset time due to extreme ambient temperature • Compressor windings are damaged <ul style="list-style-type: none"> — Check compressor motor winding resistance

Table 10. LED Diagnostics

Status LED	Status LED Description	Status LED Troubleshooting Information
ALERT Flash Code 6 (Yellow LED)	Open Start Circuit Current only in run circuit	<ul style="list-style-type: none"> • Run capacitor has failed • Open circuit in compressor start wiring or connections <ul style="list-style-type: none"> — Check wiring and connectors between supply and the compressor S terminal • Compressor start winding is damaged <ul style="list-style-type: none"> — Check compressor motor winding resistance
ALERT Flash Code 7 (Yellow LED)	Open run circuit Current only in start circuit	<ul style="list-style-type: none"> • Open circuit in compressor run wiring or connections <ul style="list-style-type: none"> — Check wiring and connectors between supply and the compressor R terminal • Compressor run winding is damaged <ul style="list-style-type: none"> — Check compressor motor winding resistance
ALERT Flash Code 8 (Yellow LED)	Welded Contactor Compressor always runs	<ul style="list-style-type: none"> • Compressor contactor has failed closed • Thermostat demand signal not connected to module
ALERT Flash Code 9 (Yellow LED)	Low Voltage Control circuit < 17VAC	<ul style="list-style-type: none"> • Control circuit transformer is overloaded • Low line voltage (contact utility if voltage at disconnect is low) • Check wiring connections

* Flash code number corresponds to a number of LED flashes, followed by a pause and then repeated. Trip and alert LED's flashing at same time means control circuit voltage is too low for operation.

Table 10. LED Diagnostics - Continued

Miswired Module Indication	Recommended Troubleshooting Action
Green LED is not on, module does not power up	<ul style="list-style-type: none"> • Determine if both R & C module terminals are connected. • Verify voltage is present at module's R & C terminals.
Green LED intermittent, module powers up only when compressor runs	<ul style="list-style-type: none"> • Determine if R & Y terminals are wired in reverse. • Verify modules R & C terminals have a constant source.
Trip LED is on, but system and compressor check OK	<ul style="list-style-type: none"> • Verify Y terminal is connected to 24VAC at contactor coil. • Verify voltage at contactor coil falls below 0.5VAC when off. • Verify 24VAC is present across Y & C when thermostat demand signal is preset. If not, R & C are reversed wired.
TRIP LED & ALERT LED flashing together	<ul style="list-style-type: none"> • Verify R & C terminals are supplied with 19 - 28VAC.
ALERT Flash CODE 3 displayed incorrectly (Compressor short cycling)	<ul style="list-style-type: none"> • Verify Y terminal is connected to 24VAC at contactor coil. • Verify voltage at contactor coil falls below 0.5VAC when off.
ALERT Flash Code 5, 6, or 7 displayed incorrectly (Open Circuit, Open Start Circuit or Open Run Circuit)	<ul style="list-style-type: none"> • Verify the compressor run and start wires are routed through the module's current sensing holes. • Verify the Y terminal is connected to 24VAC at contactor coil. • Verify voltage at contactor coil falls below 0.5VAC when off.
ALERT Flash Code 6 (Open Start Circuit) displayed for Code 7 (Open Run Circuit) or vice-versa	<ul style="list-style-type: none"> • Verify the compressor run and start wires are routed through the correct module sensing holes.
ALERT Flash Code 8 displayed incorrectly (Welded Contactor)	<ul style="list-style-type: none"> • Determine if module's Y terminal is connected. • Verify Y terminal is connected to 24VAC at contactor coil. • Verify 24VAC is present across Y & C when thermostat demand signal is present. If not, R & C are reversed wired. • Verify voltage at contactor coil falls below 0.5VAC when off. • Review Thermostat Demand Wiring (page 10) for Y & C wiring.

Table 11. Module Wiring Troubleshooting

INSTALLATION / PERFORMANCE CHECK LIST

INSTALLATION ADDRESS:		
CITY _____	STATE _____	
UNIT MODEL # _____		
UNIT SERIAL # _____		
Unit Installed Minimum clearances per Figure 1 (page 3)?	YES	NO
INSTALLER NAME:		
CITY _____	STATE _____	

REFRIGERATION SYSTEM:		
Was unit given 24 hr warm up period for crankcase heaters?	YES	NO
Stage-1 Liquid Pressure (high side) _____		
Stage-1 Suction Pressure (low side) _____		
Has the owner's information been reviewed with the customer?	YES	NO
Has the Literature Package been left with the unit?	YES	NO

ELECTRICAL SYSTEM:		
Electrical connections tight?	YES	NO
Line voltage polarity correct?	YES	NO
Rated Voltage: _____ VOLTS		
L1-L2 Volts: _____ VOLTS		
L1-L3 Volts: _____ VOLTS		
L2-L3 Volts: _____ VOLTS		
Avg. Volts: _____ VOLTS		
Max. deviation of voltage from avg. volts: _____ VOLTS		
% Volt imbalance: _____ VOLTS		
Blower Motor HP: _____ Sheave Setting _____ # Turns		
Has the thermostat been calibrated?	YES	NO
Is the thermostat level?	YES	NO
Is the heat anticipator setting correct? (If Applicable)	YES	NO



REPLACEMENT PARTS

Replacement parts are available through all Nordyne distributors. Please have the complete model and serial number of the unit when ordering replacement parts.

Electrical:

- | | |
|-------------------|----------------------------|
| Capacitors | Temperature Limit Switches |
| Compressors | Thermostats |
| Contactors | Time Delay Relays |
| Pressure Switches | Transformers |
| Relays | |

Motors:

- Blower Motor
- Fan Motor

Components:

- | | |
|------------------|---------------|
| Blower Assembly | Fan Grille |
| Cabinet Panels | Filter/Driers |
| Expansion Valves | |

NORDYNE
COMPLETE COMFORT. GENUINE VALUE.



Specifications & illustrations subject to change without notice or incurring obligations.
O' Fallon MO | Printed in U.S.A. (01/12)

7093630 (NEW)