

QUICK REFERENCE DATA

JS6BD Series - Residential Split System Air Conditioner

MODEL NUMBER: JS6BD-		024K	030K	036K	
Electrical Data	Volts-Cycles Phase (1)		208 / 230 - 60 - 1		
	Total Amps		10.5	11.7	16.4
	Delay Fuse Max. (2)		20	25	35
	Min. Circuit Ampacity		12.9	14.5	20.1
Component Data	Coil	Area	10.0	10.0	13.3
		Rows-FPI	1-23	1-23	1-23
		Tube Dia.	Micro-Channel		
	Fan Motor	Type	PSC		
		Amps	0.7	0.7	1.4
		HP	0.1	0.1	0.25
Compressor Data	RLA	9.8	11.0	15.0	
	LRA	49	59	88	
REFRIGERANT SUCTION LINE O.D		15 - 24 ft.	3/4"	3/4"	3/4"
NOTE: Liquid line is 3/8" O.D. for entire length.		25 - 39 ft.	3/4"	3/4"	7/8"
		40 - 75 ft.	3/4"	3/4"	7/8"
REFRIGERANT CHARGE					
R-410A in ounces for outdoor unit & 15' Lineset. (5)		52	54	59	
APPROXIMATE WEIGHT (LBS.)	Net	113	116	135	
	Ship	118	121	140	

- (1) Operating Voltage Range: 187v min. — 253v max.
- (2) HACR Type Circuit Breakers may be used.
- (3) Requires 7/8" to 3/4" reducer from line to unit.
- (4) Requires 7/8" to 1-1/8" reducer from line to unit.
- (5) Additional charge for line sets above 15 feet. Values based on suction line as follows with 3/8" liquid line.
 - (a) 3/4" = 0.6 oz. per additional foot.
 - (b) 7/8" = 0.7 oz. per additional foot.
 - (c) 1 1/8" = 0.8 oz. per additional foot.

Table 1. Electrical Specifications & Physical Data

Thermostat Wire Gauge	Recommended T-Stat Wire Unit to T-Stat (Length in FT)	
	2-Wire (Heating)	5-Wire (Heating/Cooling)
24	55	25
22	90	45
20	140	70
18	225	110

Table 2. Thermostat Wire Gauge

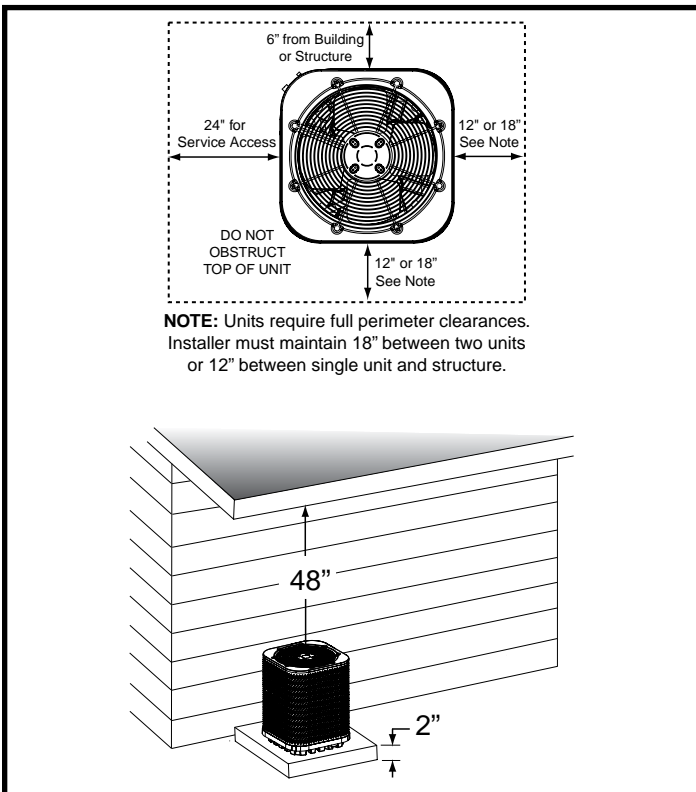
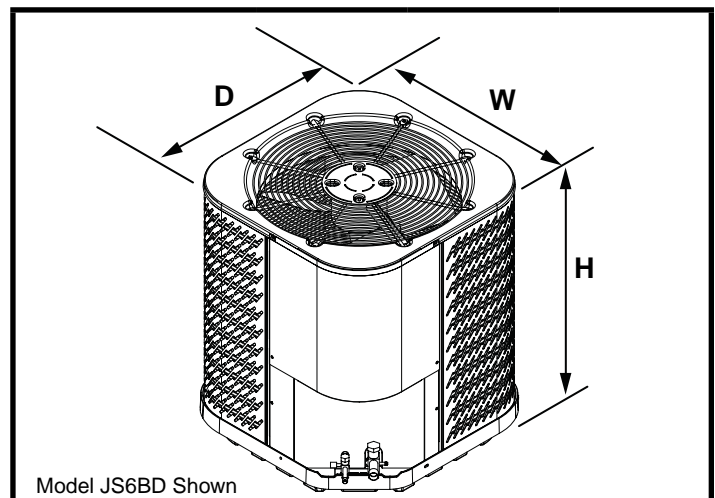


Figure 1. Clearance Requirements



MODEL NUMBER	HEIGHT (H)	WIDTH (W)	DEPTH (D)
JS6BD-024K	27 1/2"	22 3/4"	22 3/4"
JS6BD-030K	27 1/2"	22 3/4"	22 3/4"
JS6BD-036K	35 1/2"	22 3/4"	22 3/4"

Table 3. Unit Dimensions

Instructions:

1. Find the column for the model of outdoor unit that is being installed.
2. Find the row for the model of the indoor unit that is being installed.
3. Find the cell in the table in which this row and column meet. In this cell the appropriate orifice / TXV and charge addition for this match are listed. If the text in this cell is BOLD, then a change of orifice is necessary.
4. If a change in restrictor is necessary, then the appropriate restrictor will already be supplied with the outdoor unit.

Examples:

- For the JS6BD-024K / B6BMM024K-B match, the appropriate restrictor is the .055" and 5 ounces of charge will need to be added. (CHANGE IN CHARGE)
- For the JS6BD-036K / B6BW036K match, the appropriate restrictor is the .069", and the no additional charge needs to be added. (NO CHANGES NECESSARY)

Model Number: JS6BD-		024K	030K	036K
ID Restrictor Supplied With OD Unit:		0.055	0.058, 0.061	0.067, 0.069
Outdoor Unit BOM Charge (Oz.)		52	54	59
MODEL	SUPPLIED WITH ID	REQUIRED RESTRICTOR OR TXV / CHARGE ADDITION (OZ)		
GB5BM-0				
GB5BM-024K-A	0.055	0.055 / 26	--	--
GB5BM-024K-B	0.055	0.055 / 26	--	--
GB5BM-030K-A	0.065	--	0.065 / 26	--
GB5BM-030K-B	0.065	--	0.065 / 26	--
GB5BM-036K-B	0.073	--	--	0.073 / 30
GB5BM-042K-B	0.077	--	--	--
GB5BM-048K-C	0.080	--	--	--
GB5BM-060K-C	0.089	--	--	--
GB5BMM				
GB5BMM024K-A	0.055	0.055 / 5	--	--
GB5BMM024K-B	0.055	0.055 / 5	--	--
GB5BMM030K-A	0.062	--	0.058 / 7	--
GB5BMM030K-B	0.062	--	0.058 / 7	--
GB5BMM042K-B	0.074	--	--	0.069 / 2
GB5BMM048K-B	0.079	--	--	--
GB5BMM048K-C	0.079	--	--	--
GB5BMM060K-C	0.087	--	--	--
B5BM-X				
B5B(M,V)-X24K-A	669564	669564 / 26	--	--
B5B(M,V)-X24K-B	669564	669564 / 26	--	--
B5B(M,V)-X30K-A	669565	--	669565 / 26	--
B5B(M,V)-X30K-B	669565	--	669565 / 26	--
B5B(M,V)-X36K-B	669566	--	--	669566 / 30
B5B(M,V)-X42K-B	669567	--	--	--
B5B(M,V)-X48K-B	669568	--	--	--
B5B(M,V)-X48K-C	669568	--	--	--
B5B(M,V)-X60K-C	669578	--	--	--
B6BMM				
B6BMM024K-A	0.055	0.055 / 5	--	--
B6BMM024K-B	0.055	0.055 / 5	--	--
B6BMM030K-A	0.062	--	0.058 / 7	--
B6BMM030K-B	0.062	--	0.058 / 7	--
B6BMM042K-B	0.074	--	--	0.069 / 2
B6BMM048K-B	0.079	--	--	--
B6BMM048K-C	0.079	--	--	--
B6BMM060K-C	0.087	--	--	--
B6BW				
B6BW-024K(*)	0.057	0.057 / 0	--	--
B6BW-030K(*)	0.060	--	0.060 / 0	--
B6BW-036K(*)	0.069	--	--	0.069 / 0

NOTES:

- The charges listed are only valid for the standard 15' lineset.
- Numbers listed as 0.*** are restrictor diameters, while numbers listed as 669*** are TXV part numbers.

Table 4. Restrictor or TXV / Charge Addition (Oz)

Instructions:

1. Find the column for the model of outdoor unit that is being installed.
2. Find the row for the model of the indoor unit that is being installed.
3. Find the cell in the table in which this row and column meet. In this cell the appropriate orifice / TXV and charge addition for this match are listed. If the text in this cell is BOLD, then a change of orifice is necessary.
4. If a change in restrictor is necessary, then the appropriate restrictor will already be supplied with the outdoor unit.

Examples:

- For the JS6BD-024K / B6BMM024K-B match, the appropriate restrictor is the .055" and 5 ounces of charge will need to be added. (CHANGE IN CHARGE)
- For the JS6BD-036K / B6BW036K match, the appropriate restrictor is the .069", and the no additional charge needs to be added. (NO CHANGES NECESSARY)

Model Number: JS6BD-		024K	030K	036K
ID Restrictor Supplied With OD Unit:		0.055	0.058, 0.061	0.067, 0.069
Outdoor Unit BOM Charge (Oz.)		52	54	59
MODEL	SUPPLIED WITH ID	REQUIRED RESTRICTOR OR TXV / CHARGE ADDITION (OZ)		
C6				
C6B(A,H)-X24(C,U)-A	669564	669564 / 26	--	--
C6B(A,H)-X24(C,U)-B	669681	669681 / 26	--	--
C6B(A,H)-X30(C,U)-A	669565	--	669565 / 26	--
C6B(A,H)-X30(C,U)-B	669682	--	669682 / 26	--
C6B(A,H)-X30(C,U)-C	669682	--	669682 / 26	--
C6B(A,H)-X36(C,U)-B	669683	--	--	669683 / 30
C6B(A,H)-X36(C,U)-C	669683	--	--	669683 / 30
C6B(A,H)-X42(C,U)-B	669684	--	--	--
C6B(A,H)-X42(C,U)-C	669684	--	--	--
C6B(A,H)-X42(C,U)-D	669684	--	--	--
C6B(A,H)-X47(C,U)-C	669852	--	--	--
C6B(A,H)-X48(C,U)-C	669852	--	--	--
C6B(A,H)-X48(C,U)-D	669852	--	--	--
C6B(A,H)-X60(C,U)-C	669686	--	--	--
C6B(A,H)-X60(C,U)-D	669686	--	--	--
C7-0				
C7B(A,H)M01824(C,U)-A	0.048	0.055 / 0	--	--
C7B(A,H)M01824(C,U)-B	0.055	0.055 / 0	--	--
C7B(A,H)M030(C,U)-C	0.061	--	0.061 / 3	--
C7B(A,H)M03036(C,U)-A	0.061	--	0.061 / 3	0.067 / 2
C7B(A,H)M03036(C,U)-B	0.067	--	0.061 / 3	0.067 / 2
C7B(A,H)M03642(C,U)-B	0.071	--	--	0.067 / 2
C7B(A,H)M03648(C,U)-C	0.067	--	--	0.067 / 2
C7B(A,H)M042(C,U)-D	0.071	--	--	--
C7B(A,H)M048(C,U)-C	0.077	--	--	--
C7B(A,H)M048(C,U)-D	0.087	--	--	--

NOTES:

- The charges listed are only valid for the standard 15' lineset.
- Numbers listed as 0.*** are restrictor diameters, while numbers listed as 669*** are TXV part numbers.

Table 4. Restrictor or TXV / Charge Addition (Oz) - Continued

NORDYNE
COMPLETE COMFORT. GENUINE VALUE.

Specifications & illustrations subject to change without notice or incurring obligations.
O'Fallon, MO | Printed in U.S.A. (01/12)



709308C (Replaces 709308B)