

Horizontal Drain Pan Strain Relief Kit

INSTALLATION INSTRUCTIONS

The Horizontal Drain Pan Strain Relief Kit consists of 2 brackets – the horizontal drain pan bracket and the vertical drain pan support bracket – and 2 screws.

The first bracket, the horizontal drain pan bracket, is a 1" by 1" angle bracket that is 19" long. This bracket fits into the horizontal drain pan under the coil support rod. To install this bracket, it is easiest to insert the bracket into the air handler in the orientation shown and then while holding the coil up slightly, rotate the bracket underneath the coil support rod.

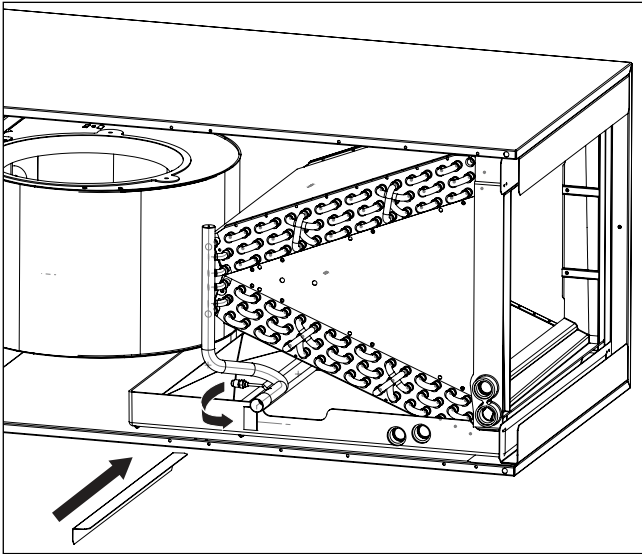


Figure 1.

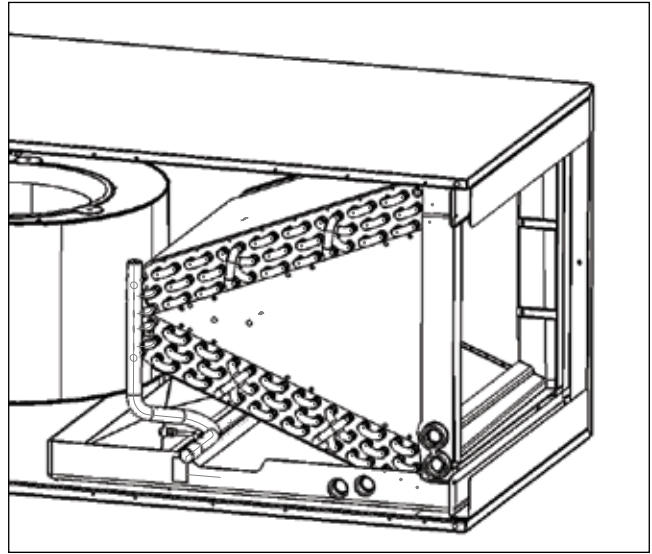


Figure 2.

The horizontal drain pan bracket should fit into the corner formed by the drain pan base and the raised center portion and hold the coil support rod at the bracket bend location.

The second bracket in the kit, the vertical drain pan support bracket, is a 3" by 14" long bracket with a 1/2" flange. This bracket should be inserted into the air handler between the side wall insulation and the existing side bracket with the shorter 1/4" coil capture flange. The bracket needs to be fit in between the screws that attach the filter rack. When inserted properly, the 1/2" flange of the bracket should rest directly on top of the 1/4" flange of the existing bracket and capture the coil drain pan to hold it vertically.

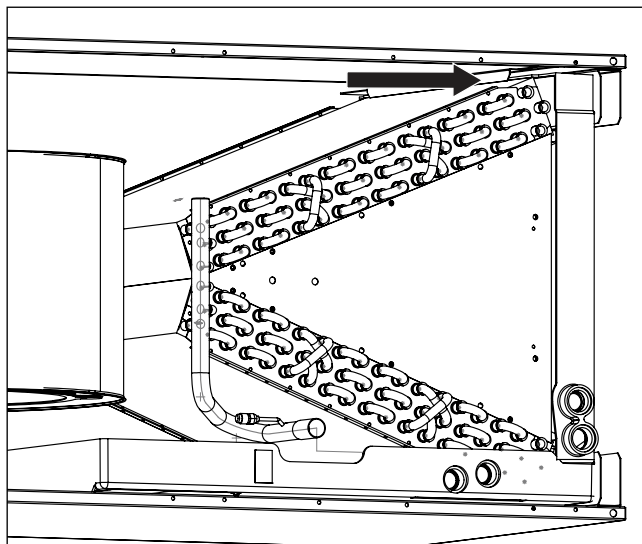


Figure 3.

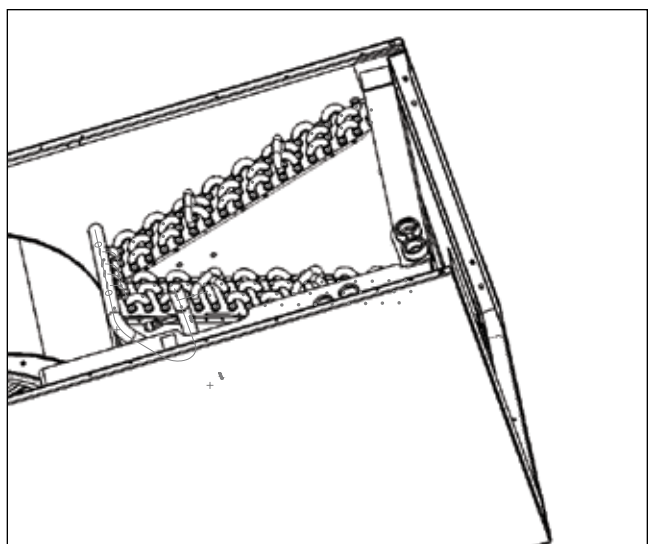


Figure 4.

Holes should be drilled into the air handler cabinet side 1.5" from the bottom. The first hole should be 5" from the front of the cabinet, the second hole should be 16" from the front of the cabinet (or 11" back from the first hole). The holes should be 1/8" diameter and should go through the new bracket. Take care to not pierce the drain pan.

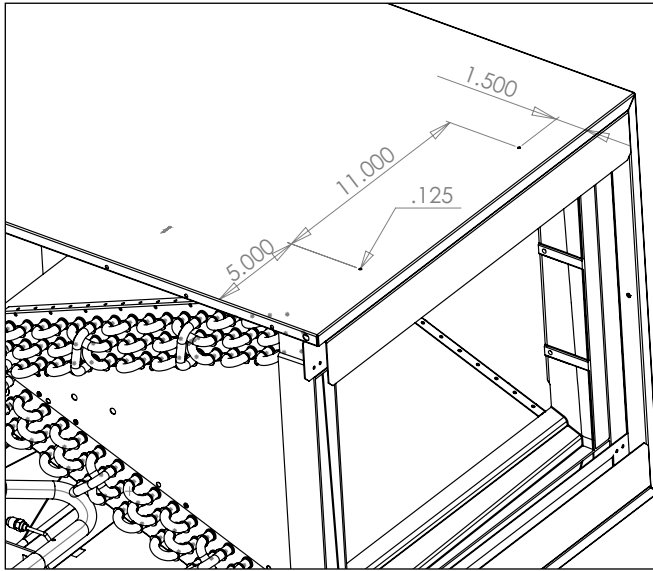


Figure 5.

Insert the screws provided to attach the vertical drain pan support bracket – this bracket will help keep the coil from putting as much pressure on the horizontal drain pan.

**INSTALLER: PLEASE LEAVE THESE INSTALLATION
INSTRUCTIONS WITH THE HOMEOWNER.**

