

X-13 Blower Kit (SKU# 904619)

Installation Instructions

E3 Series Electric Furnace

WARNING:

To avoid risk of electric shock, personal injury, or death, disconnect electrical power to the unit before performing any maintenance or service. The unit may have more than one electric power supply.

Coil		High	Med High	Med	Med Low	Low
		4-ton	3.5-ton	3-ton	2.5-ton	2-ton
Static (ESP) in W.C.	0.1	1510	1410	1270	1110	910
	0.2	1460	1360	1210	1060	960
	0.3	1400	1300	1150	1000	800
	0.4	1350	1250	1090	950	750
	0.5	1280	1180	1040	910	710
	0.6	1210	1110	990	860	660

Table 1. Blower Performance

INSTALLATION SEQUENCE

Blower Assembly Installation

Note: Retain all screws and fasteners for installation of new blower assembly.

1. Ensure unit is not powered. Remove furnace door.
2. Disconnect Thermostat wire connections and unhook the 6-pin blower plug from the control panel.
3. Remove all screws attaching the blower assembly to the furnace.
4. Slide out the complete blower assembly.
5. Obtain new Blower assembly equipped with Variable Torque (X13) motor and slide into the same position as the removed assembly; fasten with screws.
6. Plug the 6-pin plug into the control panel.
7. Make the required thermostat wiring connection as shown in Figure 1.
8. Attach furnace door and restore power.

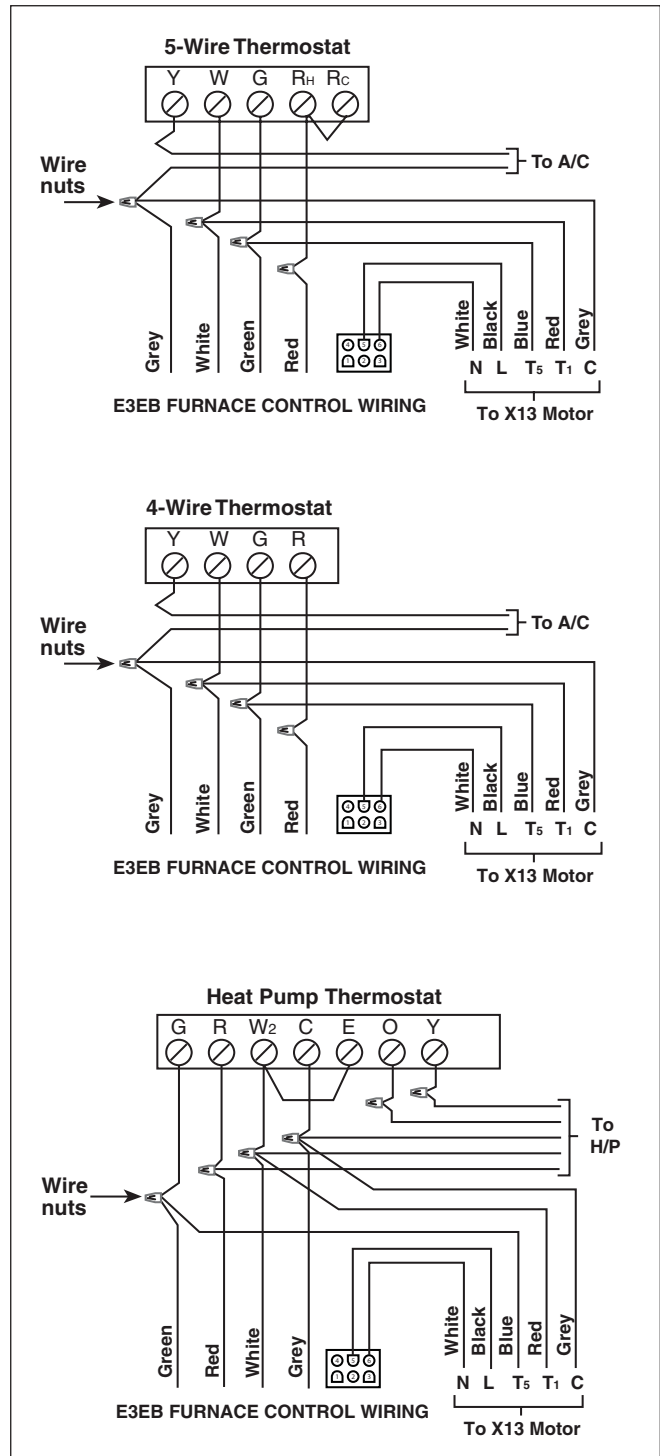


Figure 1. Thermostat Connections

