

## DF6SE Series

### 4-Stage Heat/2-Stage Cool with Variable Speed Blower iHybrid™ Package Units

#### DF6SE up to 14 SEER 2 Ton thru 5 Ton Units

The DF6SE Series dual fuel package units are high efficiency self contained heat pump units that can be installed on the roof or on a slab. The convertible unit design makes installations simple in all applications. Units are ETL and ETLc listed.

#### FEATURES AND BENEFITS

##### • Warranty

- This product offers a 10-year All-Parts Warranty.
- This product offers a 10 year Quality Pledge to replace the entire unit, if the unit's major component (heat exchanger or compressor) fails within the first 10 years of operation, to the original owner.
- Consumer product registration required for both 10 year All Parts Warranty and Quality Pledge within a limited period of time after the installation. See current warranty document or visit our consumer web site listed on the back of this document for warranty details.

##### • Heavy-Gauge, Full Perimeter Base Rails

Facilitates forklift handling and curb mounting.

##### • Compact Footprint/Low Profile

Easy to handle and transport.

##### • Copeland Ultra-Tech Compressor 2 stage heat/cool.

##### • Convertible Air Delivery

Horizontal or downflow to accommodate rooftop or horizontal application.

##### • Galvanized Steel Cabinet

with polyurethane finish provides 950 hour salt spray protection to resist corrosion.

##### • Plastic Coated Coil Guard and Mesh Hail Guard

Will never rust and protect the coil from being damaged by balls, lawnmowers, hail etc.

##### • Accessible Service Ports

Quick access to refrigerant system without disrupting operation.

##### • Hi/Low Pressure Switches

Added Compressor Protection.

##### • Access to Controls and Major Components

Easy in and out service.

##### • Corrosion-Resistant Drain Pan

Quickly drains away evaporator condensate.

##### • Proven, Industry Standard Components

Easier service and availability.

##### • Smaller Panels, Great Fit and Finish, Total Seal

Well-designed, quality construction. Drip edge on top panels whisks away rainwater. Embossed bottom pan keeps blower compartment dry.

##### • Thermal Expansion Valve

Factory installed externally equalized thermal expansion valve provides precise refrigerant control under varying load conditions.

##### • R-410A Refrigerant

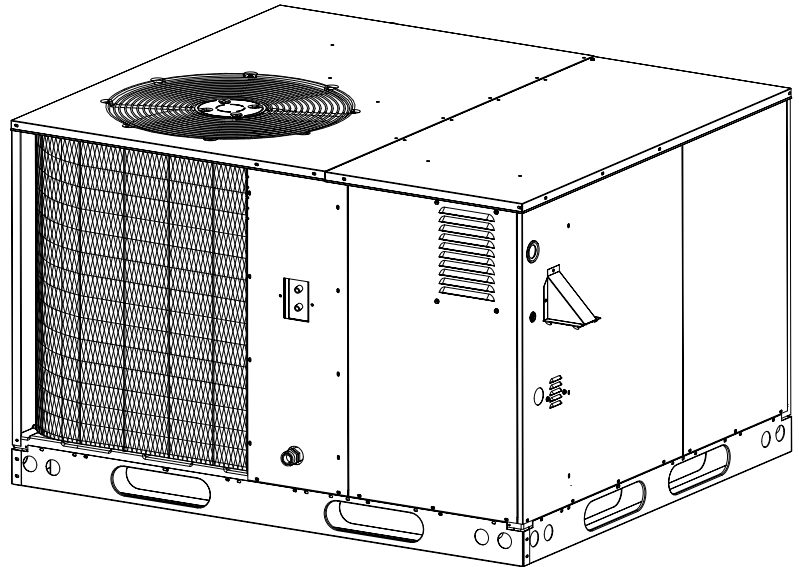
Environmentally friendly.

##### • ECM Variable Speed Motor

Advanced technology allows the motor to automatically adjust to different static loads. The variable speed motor allows for extra quiet operation and improved air quality.

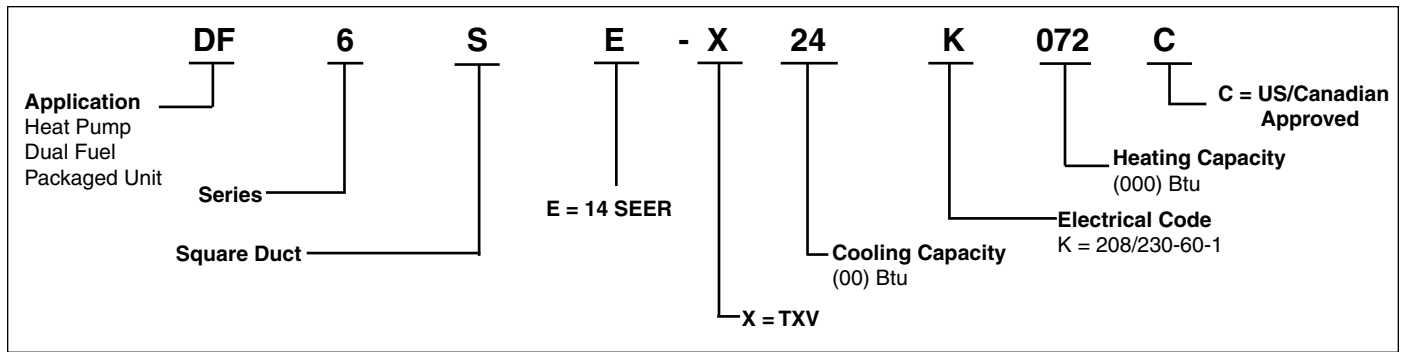
##### • Quiet Operation

Low vibration. 20" swept wing fan blade combined with custom venturi condenser fan. Compressor sound blanket.

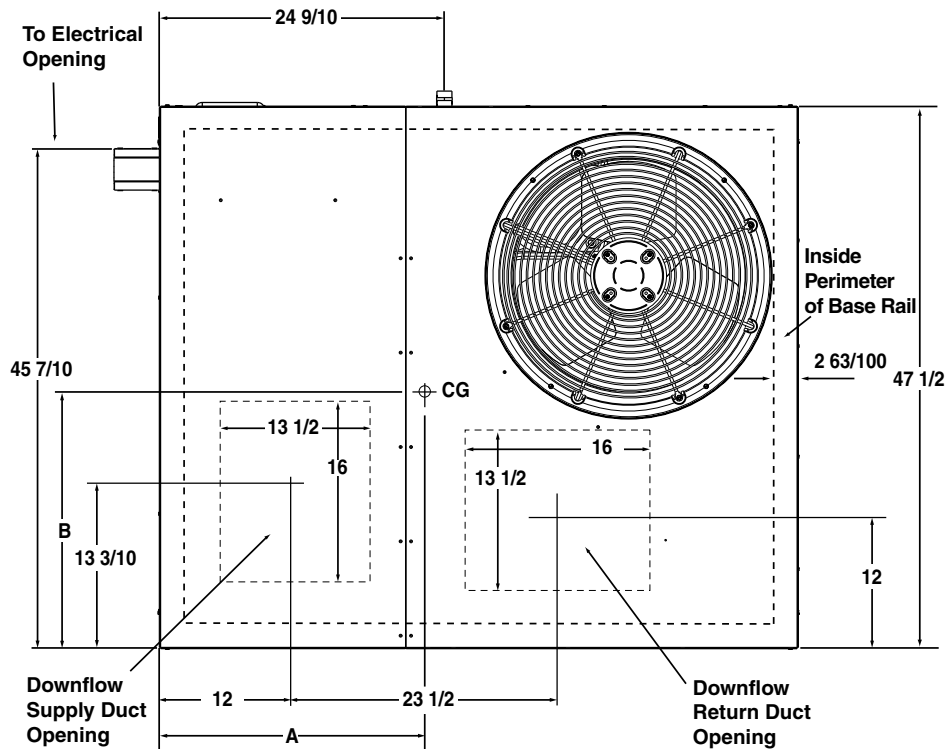




# MODEL IDENTIFICATION CODE



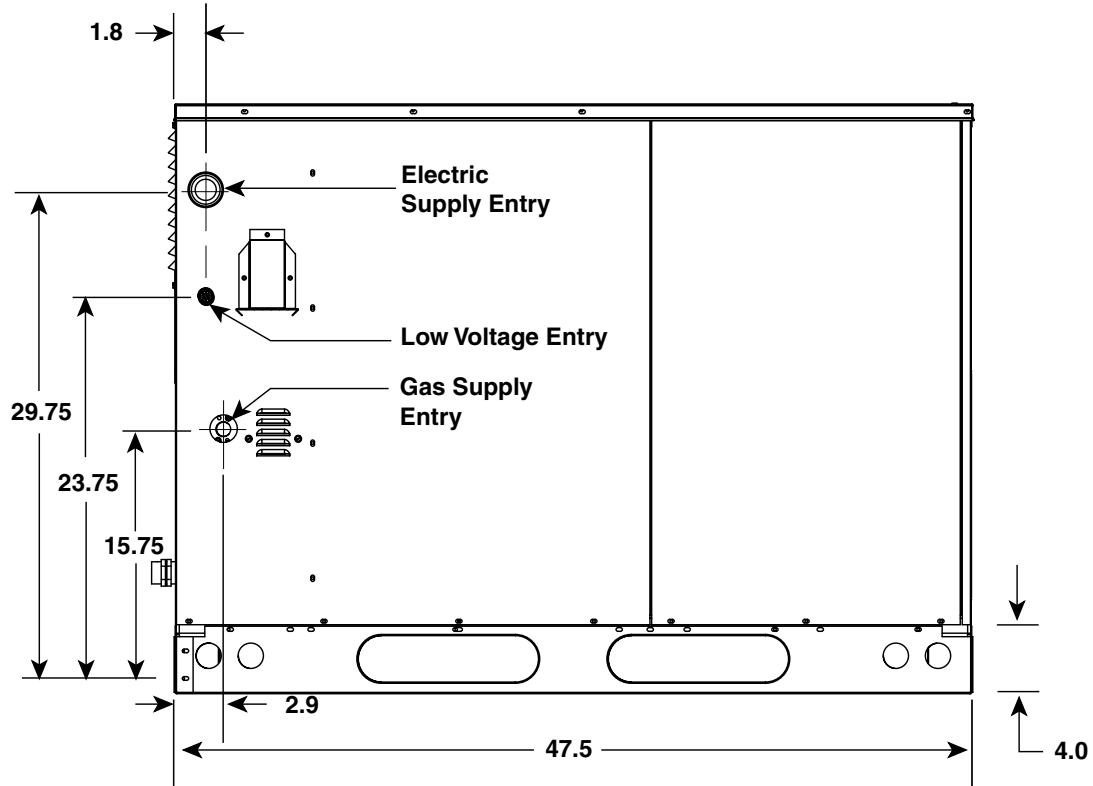
# DIMENSIONS



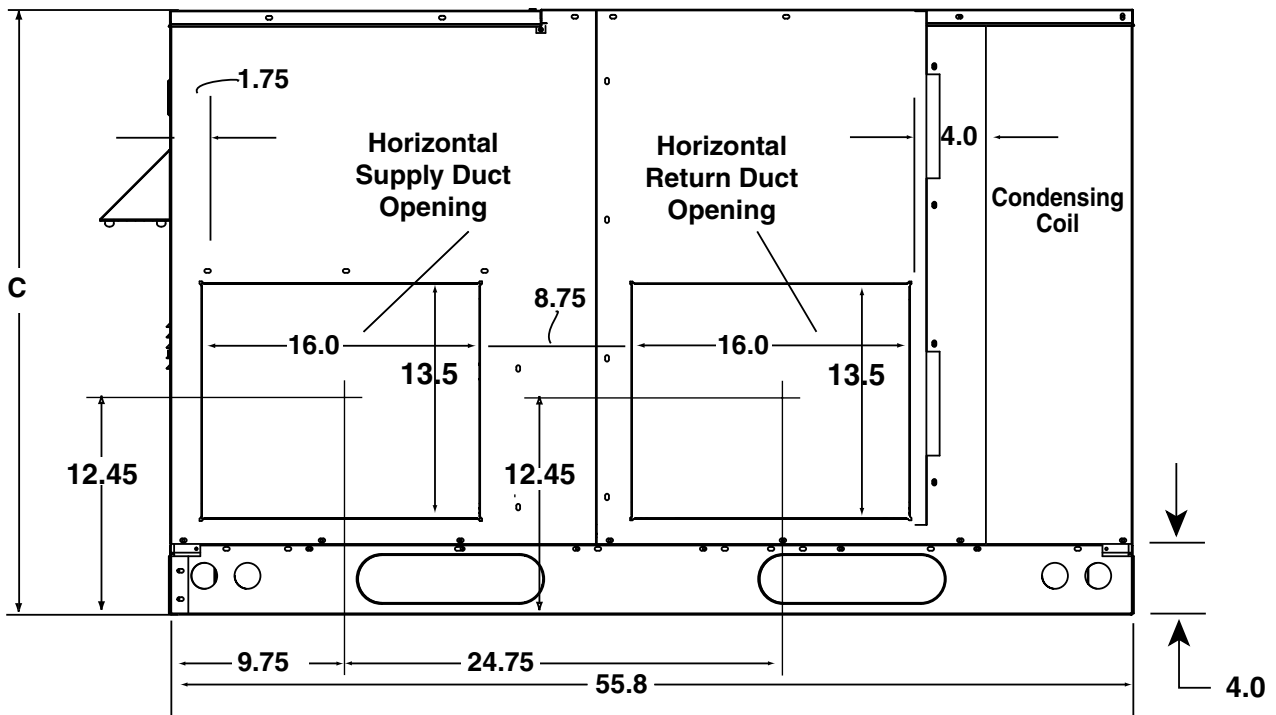
Top View

Model Number 14 SEER	Unit Weight	Shipping Weight	Center of Gravity		Height (in inches) C	
			A	B	with base rails	without base rails
X24K***C	480	490	26.0	27.0	39.0	35.3
X36K***C	480	490	26.0	27.0	39.0	35.3
X48K***C	570	580	27.0	26.5	43.0	39.3
X60K***C	580	590	27.0	26.5	43.0	39.3

# DIMENSIONS (Continued)



Side View



Back View

# SPECIFICATIONS AND ELECTRICAL DATA

## SINGLE PHASE

MODEL	DF6SE- X24K045C	DF6SE- X24K072C	DF6SE- X36K072C	DF6SE- X36K096C	DF6SE- X48K096C	DF6SE- X48K120C	DF6SE- X60K096C	DF6SE- X60K120C
<b>Performance (Gas)</b>								
Heating Input High/Low Btuh	45,000 / 31,500	72,000 / 50,400	72,000 / 50,400	96,000 / 67,200	96,000 / 67,200	120,000 / 84,000	96,000 / 67,200	120,000 / 84,000
Heating Output High/Low Btuh	35,100 / 24,570	57,600 / 40,320	57,600 / 40,320	76,800 / 53,760	76,800 / 53,760	96,000 / 67,200	76,800 / 53,760	96,000 / 67,200
AFUE	78	80	80	80	80	80	80	80
<b>Performance (Electric)</b>								
Efficiency -- SEER	14.00	14.00	14.00	14.00	14.00	14.00	14.00	14.00
Efficiency -- EER (Btuh/Watt)	11.0	11.0	11.0	11.0	10.0	10.0	10.1	10.1
Capacity - Heating	22,200	22,200	33,000	33,000	42,500	42,500	56,500	56,500
Efficiency - HSPF	8.0	8.0	8.0	8.0	8.0	8.0	8.0	8.0
Capacity - Cooling	23,400	23,400	34,000	34,000	44,000	44,000	55,500	55,500
<b>Electrical Rating - 60 Hz</b>								
Phase	1	1	1	1	1	1	1	1
Operating Voltage Range	187 - 253	187 - 253	187 - 253	187 - 253	187 - 253	187 - 253	187 - 253	187 - 253
Minimum Circuit Ampacity	21.3	21.3	33.1	33.1	42.0	42.0	44.5	44.5
Max. Overcurrent Protection	30	30	50	50	60	60	60	60
<b>Compressor Data</b>								
Volts	208 / 230	208 / 230	208 / 230	208 / 230	208 / 230	208 / 230	208 / 230	208 / 230
Rated Load Amps	11.4	11.4	19	19	24	24	26	26
Lock Rotor Amps	52	52	82	82	96	96	118	118
<b>Indoor Blower</b>								
Wheel Diameter	10 x 10	10 x 10	10 x 10	10 x 10	11 x 10	11 x 10	11 x 10	11 x 10
Motor Type	Variable Speed	Variable Speed	Variable Speed	Variable Speed	Variable Speed	Variable Speed	Variable Speed	Variable Speed
Motor HP	1/2	1/2	3/4	3/4	1	1	1	1
Motor Amps	4.3	4.3	6.8	6.8	9.1	9.1	9.1	9.1
<b>Outdoor Fan</b>								
Motor HP	1/4	1/4	1/4	1/4	1/3	1/3	1/3	1/3
Motor Amps	1.4	1.4	1.2	1.2	1.5	1.5	1.5	1.5
Fan Diameter/CFM	20" / 3200	20" / 3200	20" / 3350	20" / 3350	20" / 3500	20" / 3500	20" / 3500	20" / 3500
<b>Refrigerant Charge (oz)</b>	120.0	120.0	126.4	126.4	264	264	243.2	243.2

## AIRFLOW DATA

Model Number DF6SE	Heating Input (Btuh)	Heating Output (Btuh)	Heat Switch Setting	CFM	Heating Rise Range (°F)	Cooling Output (Btuh)	Blower Size	Motor HP
X24K045C	45,000	35,100	0,0	732	35-65	23,400	10 X 10	1/2
	31,500	24,570	0,0	550				
X24K072C	72,000	57,600	1,1	1062	35-65	23,400	10 X 10	1/2
	50,400	40,320	1,1	900				
X36K072C	72,000	57,600	1,0	1240	40-70	34,000	10 X 10	3/4
	50,400	40,320	1,0	800				
X36K096C	96,000	76,800	0,1	1640	45-75	34,000	10 X 10	3/4
	67,200	53,760	0,1	1000				
X48K096C	96,000	76,800	1,0	1395	45-75	44,000	11 X 10	1
	67,200	53,760	1,0	900				
X48K120C	120,000	96,000	1,1	2005	40-70	44,000	11 X 10	1
	84,000	67,200	1,1	1200				
X60K096C	96,000	76,800	1,0	1395	45-75	55,500	11 X 10	1
	67,200	53,760	1,0	900				
X60K120C	120,000	96,000	1,1	2005	40-70	55,500	11 X 10	1
	84,000	67,200	1,1	1200				

NOTE: CFM and Rise are independent of ESP in a variable speed blower.

## Cooling Airflow Settings

SWITCH NUMBER				RECOMMENDED A/C AIRFLOW RATE (CFM)	SWITCH NUMBER				RECOMMENDED A/C AIRFLOW RATE (CFM)	SWITCH NUMBER				RECOMMENDED A/C AIRFLOW RATE (CFM)
1	2	3	4	2 TON	1	2	3	4	3 TON	1	2	3	4	4-5 TON
0	0	0	1	585	0	0	0	1	720	0	0	0	1	1440
0	0	0	0	650	0	0	0	0	800	1	0	0	1	1575
0	0	1	0	715	1	0	0	1	855	0	0	0	0	1600
1	0	0	1	720	0	0	1	0	880	0	1	0	1	1620
1	0	0	0	<b>800</b>	1	0	0	0	950	1	0	0	0	1750
0	1	0	1	855	0	1	0	1	990	1	1	0	1	1755
1	0	1	0	880	1	0	1	0	1045	0	0	1	0	1760
0	1	0	0	950	0	1	0	0	1100	0	1	0	0	1800
1	1	0	1	990	1	1	0	1	1170	1	0	1	0	1925
0	1	1	0	1045	0	1	1	0	1210	1	1	0	0	1950
1	1	0	0	1100	1	1	0	0	1300	0	1	1	0	1980
1	1	1	0	1210	1	1	1	0	1430	1	1	1	0	2145

NOTE: 0 = OFF 1 = ON  
1. Factory Setting in **BOLD**

## Heating Airflow Settings

Nominal Airflow Rates (CFM) and Temperature Rises (°F)												
Switches					DF6SE-X24							
					Low Fire Input		High Fire Input		Low Fire Input		High Fire Input	
5	6	7	8	9	31,500		45,000		50,400		72,000	
0	0	#	#	#	550	41	732	44	550	66	732	71
1	0	#	#	#	650	35	865	38	650	56	865	60
0	1	#	#	#	750	30	998	33	750	49	998	52
1	1	#	#	#	900	25	1062	31	900	40	1062	49

Nominal Airflow Rates (CFM) and Temperature Rises (°F)												
Switches					DF6SE-X36							
					Low Fire Input		High Fire Input		Low Fire Input		High Fire Input	
5	6	7	8	9	50,400		72,000		67,200		96,000	
0	0	#	#	#	700	53	1170	46	700	71	1170	61
1	0	#	#	#	800	47	1240	43	800	62	1240	57
0	1	#	#	#	1000	37	1640	33	1000	50	1640	43
1	1	#	#	#	1200	31	2005	27	1200	44	2005	36

Nominal Airflow Rates (CFM) and Temperature Rises (°F)												
Switches					DF6SE-X48 & X60							
					Low Fire Input		High Fire Input		Low Fire Input		High Fire Input	
5	6	7	8	9	67,200		96,000		84,000		120,000	
0	0	#	#	#	750	66	1253	57	750	83	1255	71
1	0	#	#	#	900	55	1395	51	900	69	1395	64
0	1	#	#	#	1050	47	1720	41	1050	59	1720	52
1	1	#	#	#	1200	42	2005	36	1200	52	2005	44

NOTE: 0 = OFF 1 = ON

# Switch is not used — Can be 0 or 1

1. Recommended temperature rises are highlighted in **BOLD**. Use of any other setting may result in nuisance trips.
2. Areas in grey are not recommended settings.
3. Temperature rises in the table are approximate. Actual temperature rises may vary.

## DF6SE ACCESSORIES

Description	Part Number
Roof Curb (8")	547830
Roof Curb (14")	547831
Roof Curb (18")	547850
Roof Curb (24")	547851
Cap, Duct Adapter, 12" Round	913811A
Cap, Duct Adapter, 14" Round	913812A
Filter Kit DF6SE X24 - X36	547888
Filter Kit DF6SE X48 - X60	547889
Filter Kit, All Downflow Applications	547885
Low Ambient Kit	918837
U.S. LP Gas Conversion Kit (0 ft to 10,000 ft above sea level)	904404
Canadian LP Gas Conversion Kit (0 to 4,500 ft above sea level)	904405
Universal Hard Start Kit	912933
Thermostat with back-up gas heat capability (outdoor sensor required)	919766
Thermostat - Outdoor Sensor	919008
Skirt Trim Kit	919729
Extreme High Wind Kit - Roof Curb Mount	903696
Extreme High Wind Kit - Ground Mount	903695

# COOLING EXPANDED RATINGS

DF6SE-X24K

O.D.T			85°F			95°F			105°F			115°F		
CFM	E.D.B.	E.W.B.	T.C.	S.C.	K.W.	T.C.	S.C.	K.W.	T.C.	S.C.	K.W.	T.C.	S.C.	K.W.
700	80	62	22.4	19.1	1.82	21.3	19.2	2.02	20.0	19.5	2.24	18.8	18.6	2.49
	80	67	24.2	15.5	1.84	22.9	15.1	2.04	21.5	14.6	2.26	20.0	14.1	2.51
	80	72	26.5	11.7	1.86	25.0	11.3	2.07	23.4	10.9	2.30	21.6	10.4	2.55
	75	63	22.6	15.3	1.82	21.4	15.3	2.02	20.1	15.2	2.24	18.6	14.8	2.49
800	80	62	23.1	20.6	1.83	22.0	20.9	2.03	20.8	20.3	2.25	19.5	19.5	2.50
	80	67	24.8	16.7	1.84	23.4	16.3	2.04	21.9	15.8	2.27	20.4	15.3	2.52
	80	72	26.9	12.5	1.87	25.3	12.1	2.07	23.7	11.6	2.30	22.0	11.2	2.56
900	75	63	23.1	17.1	1.83	21.9	16.9	2.03	20.5	16.6	2.25	19.0	16.1	2.49
	80	62	23.8	22.0	1.83	22.7	21.6	2.03	21.5	21.5	2.26	20.1	20.1	2.51
	80	67	25.2	17.9	1.85	23.8	17.5	2.05	22.3	17.0	2.28	20.7	16.5	2.52
	80	72	27.2	13.2	1.87	25.7	12.8	2.08	24.1	12.4	2.31	22.3	11.9	2.56
75	63	23.6	18.9	1.83	22.3	18.6	2.03	20.8	18.1	2.26	19.3	17.5	2.50	

DF6SE-X36K

O.D.T			85°F			95°F			105°F			115°F		
CFM	E.D.B.	E.W.B.	T.C.	S.C.	K.W.	T.C.	S.C.	K.W.	T.C.	S.C.	K.W.	T.C.	S.C.	K.W.
1200	80	62	32.7	32.4	2.81	31.1	31.1	3.09	29.3	29.5	3.40	27.6	27.4	3.75
	80	67	35.3	27.2	2.85	33.5	26.4	3.12	31.5	25.4	3.44	29.4	24.4	3.79
	80	72	37.7	22.2	2.88	39.6	23.0	2.62	41.2	23.7	2.39	42.6	24.4	2.18
	75	63	32.4	23.8	2.81	30.8	23.6	3.09	29.0	23.3	3.40	27.0	22.8	3.74
1350	80	62	33.5	33.9	2.91	31.8	32.3	3.19	30.2	30.4	3.50	28.4	28.4	3.86
	80	67	35.9	28.7	2.94	34.0	27.9	3.22	32.1	26.6	3.54	29.8	25.6	3.89
	80	72	38.3	23.2	2.98	40.1	24.0	2.72	41.8	24.7	2.49	43.3	25.3	2.27
1500	75	63	33.0	25.9	2.91	31.3	25.6	3.18	29.4	25.1	3.49	27.4	24.4	3.84
	80	62	34.1	34.9	3.03	32.6	33.1	3.31	30.9	30.9	3.63	29.1	29.1	3.98
	80	67	36.4	29.8	3.06	34.5	28.9	3.34	32.5	27.9	3.66	30.2	26.8	4.01
	80	72	38.8	24.0	3.10	40.6	24.9	2.84	42.4	25.6	2.62	43.9	26.3	2.39
75	63	33.5	28.2	3.03	31.7	27.7	3.30	29.8	26.9	3.61	27.8	25.9	3.96	

DF6SE-X48K

O.D.T			85°F			95°F			105°F			115°F		
CFM	E.D.B.	E.W.B.	T.C.	S.C.	K.W.	T.C.	S.C.	K.W.	T.C.	S.C.	K.W.	T.C.	S.C.	K.W.
1500	80	62	48.9	27.5	3.97	46.3	26.4	4.30	43.4	25.1	4.66	40.3	23.4	5.07
	80	67	45.7	34.2	3.92	43.4	33.1	4.25	40.7	31.9	4.61	37.9	30.5	5.01
	80	72	48.9	27.5	3.97	46.3	26.4	4.30	43.4	25.1	4.66	40.3	23.8	5.07
	75	63	41.9	30.7	3.86	39.7	30.7	4.18	37.3	30.2	4.55	34.7	29.4	4.94
1650	80	62	49.5	28.4	4.12	46.8	27.3	4.45	43.9	26.0	4.81	40.7	24.6	5.22
	80	67	46.4	35.8	4.07	44.0	34.6	4.40	41.3	33.3	4.76	38.4	31.9	5.17
	80	72	49.5	28.4	4.12	46.8	27.3	4.45	43.9	26.0	4.81	40.7	24.6	5.22
	75	63	42.6	33.4	4.01	40.3	33.0	4.33	37.9	32.2	4.70	35.2	31.2	5.09
1800	80	62	50.1	29.3	4.30	47.3	28.1	4.63	44.4	26.8	4.99	41.1	25.3	5.40
	80	67	47.0	37.3	4.25	44.5	36.1	4.58	41.8	34.8	4.94	38.8	33.3	5.34
	80	72	50.1	29.3	4.30	47.3	28.1	4.63	44.4	26.8	4.99	41.1	25.3	5.40
	75	63	43.1	36.3	4.19	40.8	35.4	4.51	38.4	34.3	4.87	35.6	32.9	5.27

DF6SE-X60K

O.D.T			85°F			95°F			105°F			115°F		
CFM	E.D.B.	E.W.B.	T.C.	S.C.	K.W.	T.C.	S.C.	K.W.	T.C.	S.C.	K.W.	T.C.	S.C.	K.W.
1600	80	62	52.0	47.2	4.70	49.4	45.7	5.18	46.6	44.0	5.69	43.5	41.7	6.26
	80	67	56.3	40.5	4.78	53.5	39.2	5.25	50.4	37.8	5.79	47.0	36.2	6.36
	80	72	61.5	33.0	4.87	58.2	31.8	5.35	54.5	30.5	5.88	50.7	29.0	6.46
	75	63	51.7	35.5	10.82	49.2	35.6	10.83	46.3	35.1	10.83	43.2	34.3	10.78
1800	80	62	53.2	50.1	4.94	50.6	48.4	5.42	47.7	46.5	5.94	44.5	44.5	6.51
	80	67	57.6	42.8	5.02	54.6	41.5	5.50	51.4	40.0	6.03	47.8	38.5	6.60
	80	72	62.1	34.6	5.11	59.0	33.3	5.59	55.4	31.8	6.12	51.6	30.3	6.70
	75	63	52.9	39.2	11.04	50.2	38.8	11.03	47.3	37.6	11.03	44.0	36.6	11.03
2000	80	62	54.4	52.5	5.24	51.7	50.6	5.71	48.6	48.6	6.23	45.7	45.7	6.82
	80	67	58.6	45.1	5.31	55.5	43.7	5.79	52.2	42.3	6.32	48.6	40.1	6.90
	80	72	63.2	36.0	5.40	59.9	34.7	5.88	56.2	33.2	6.41	52.3	31.6	6.99
	75	63	54.0	42.5	11.29	51.2	41.7	11.28	48.1	40.5	11.28	44.7	39.1	11.29



**DF6SE-X24K**

**OUTDOOR TEMPERATURE (Deg. F)**

CFM	Indoor T. Deg.F	10			17			20			30			40			47			50			60		
		MBH	COP	kW	MBH	COP	kW	MBH	COP	kW	MBH	COP	kW	MBH	COP	kW	MBH	COP	kW	MBH	COP	kW	MBH	COP	kW
700	60	11.1	2.01	1.62	13.5	2.40	1.65	14.5	2.56	1.66	17.8	3.09	1.70	21.2	3.59	1.73	23.6	3.93	1.76	24.6	4.07	1.77	27.9	4.53	1.81
	70	10.6	1.96	1.58	12.8	2.30	1.63	13.7	2.44	1.64	16.8	2.90	1.70	19.9	3.32	1.76	22.1	3.59	1.80	23.0	3.71	1.82	26.2	4.08	1.88
	80	10.0	1.87	1.57	12.0	2.18	1.61	12.9	2.31	1.64	15.7	2.71	1.70	18.6	3.08	1.77	20.6	3.32	1.82	21.5	3.42	1.84	24.4	3.74	1.91
800	60	11.2	1.97	1.66	13.6	2.36	1.69	14.6	2.52	1.70	18.0	3.05	1.73	21.4	3.56	1.77	23.8	3.90	1.79	24.9	4.04	1.80	28.3	4.51	1.84
	70	10.7	1.92	1.63	12.9	2.27	1.67	13.9	2.41	1.69	17.0	2.86	1.74	20.2	3.29	1.80	22.4	3.57	1.84	23.3	3.69	1.86	26.5	4.06	1.91
	80	10.1	1.84	1.60	12.2	2.15	1.65	13.0	2.28	1.68	16.0	2.68	1.75	18.9	3.05	1.82	21.0	3.29	1.87	21.9	3.39	1.89	24.8	3.71	1.96
900	60	11.3	1.95	1.71	13.7	2.33	1.73	14.8	2.50	1.74	18.2	3.02	1.77	21.7	3.53	1.80	24.1	3.88	1.82	25.1	4.03	1.83	28.6	4.50	1.86
	70	10.8	1.90	1.67	13.0	2.24	1.71	14.0	2.39	1.72	17.2	2.84	1.78	20.4	3.27	1.83	22.7	3.56	1.87	23.7	3.67	1.89	26.9	4.06	1.94
	80	10.2	1.82	1.64	12.3	2.13	1.69	13.2	2.25	1.72	16.1	2.65	1.79	19.1	3.01	1.86	21.2	3.25	1.91	22.1	3.35	1.93	25.0	3.67	2.00

**DF6SE-X36**

**OUTDOOR TEMPERATURE (Deg. F)**

CFM	Indoor T. Deg.F	10			17			20			30			40			47			50			60		
		MBH	COP	kW	MBH	COP	kW	MBH	COP	kW	MBH	COP	kW	MBH	COP	kW	MBH	COP	kW	MBH	COP	kW	MBH	COP	kW
1200	60	16.0	2.11	2.22	19.5	2.50	2.28	20.9	2.66	2.31	25.8	3.17	2.39	30.8	3.64	2.48	34.2	3.95	2.54	35.7	4.08	2.56	40.6	4.49	2.65
	70	15.4	1.97	2.29	18.7	2.32	2.36	20.1	2.46	2.39	24.8	2.91	2.49	29.5	3.33	2.59	32.7	3.61	2.66	34.2	3.72	2.69	38.8	4.08	2.79
	80	14.8	1.82	2.38	17.9	2.14	2.46	19.3	2.27	2.49	23.7	2.68	2.60	28.2	3.06	2.70	31.3	3.30	2.78	32.7	3.40	2.81	37.1	3.73	2.92
1350	60	16.2	2.01	2.35	19.7	2.39	2.41	21.2	2.55	2.43	26.2	3.05	2.51	31.2	3.53	2.59	34.7	3.84	2.65	36.2	3.97	2.67	41.2	4.39	2.75
	70	15.6	1.88	2.42	18.9	2.23	2.49	20.3	2.37	2.52	25.1	2.82	2.61	29.9	3.24	2.70	33.2	3.51	2.77	34.6	3.63	2.80	39.4	4.00	2.89
	80	15.0	1.74	2.51	18.2	2.06	2.58	19.5	2.19	2.62	24.1	2.60	2.72	28.6	2.98	2.82	31.8	3.22	2.89	33.2	3.33	2.92	37.7	3.66	3.03
1500	60	16.3	1.91	2.50	19.8	2.28	2.55	21.4	2.43	2.58	26.4	2.92	2.65	31.5	3.38	2.73	35.1	3.69	2.78	36.6	3.82	2.80	41.7	4.24	2.88
	70	15.8	1.79	2.57	19.1	2.13	2.64	20.6	2.27	2.66	25.4	2.71	2.75	30.3	3.12	2.84	33.6	3.40	2.90	35.1	3.51	2.93	39.9	3.87	3.02
	80	15.2	1.67	2.66	18.4	1.97	2.73	19.8	2.10	2.76	24.4	2.49	2.86	29.0	2.87	2.96	32.2	3.11	3.03	33.6	3.21	3.06	38.2	3.54	3.16

DF6SE-X48

OUTDOOR TEMPERATURE (Deg. F)

CFM	Indoor T. Deg.F	10			17			20			30			40			47			50			60		
		MBH	COP	kW	MBH	COP	kW	MBH	COP	kW	MBH	COP	kW	MBH	COP	kW	MBH	COP	kW	MBH	COP	kW	MBH	COP	kW
1500	60	22.4	1.88	3.49	26.6	2.24	3.48	28.5	2.40	3.48	34.5	2.92	3.46	40.6	3.45	3.45	44.9	3.83	3.44	46.7	3.99	3.43	52.8	4.53	3.42
	70	21.6	1.68	3.76	25.7	2.02	3.74	27.5	2.16	3.73	33.4	2.65	3.70	39.3	3.14	3.67	43.4	3.49	3.65	45.2	3.64	3.64	51.1	4.15	3.61
	80	21.1	1.52	4.05	25.0	1.83	4.02	26.7	1.96	4.01	32.4	2.40	3.96	38.1	2.85	3.92	42.1	3.17	3.88	43.8	3.31	3.87	49.4	3.79	3.83
1650	60	22.5	1.80	3.66	26.9	2.16	3.65	28.7	2.31	3.64	34.9	2.82	3.62	41.1	3.34	3.61	45.4	3.70	3.59	47.2	3.86	3.59	53.4	4.39	3.57
	70	21.8	1.63	3.92	26.0	1.96	3.90	27.8	2.10	3.89	33.8	2.57	3.86	39.7	3.05	3.82	43.9	3.39	3.80	45.7	3.54	3.79	51.7	4.03	3.76
	80	21.2	1.47	4.22	25.3	1.77	4.19	27.0	1.90	4.17	32.7	2.33	4.12	38.5	2.78	4.07	42.6	3.10	4.03	44.3	3.24	4.01	50.1	3.70	3.96
1800	60	22.6	1.71	3.86	27.0	2.05	3.85	28.9	2.20	3.84	35.1	2.69	3.82	41.4	3.19	3.81	45.8	3.54	3.79	47.7	3.69	3.79	54.0	4.20	3.77
	70	22.1	1.56	4.13	26.3	1.88	4.10	28.1	2.01	4.09	34.1	2.34	4.27	40.1	2.93	4.02	44.4	3.26	3.99	46.2	3.40	3.98	52.2	3.88	3.94
	80	21.4	1.42	4.42	25.5	1.70	4.38	27.2	1.83	4.36	33.0	2.13	4.54	38.9	2.68	4.25	42.9	2.99	4.21	44.7	3.12	4.20	50.5	3.57	4.14

DF6SE-X60

OUTDOOR TEMPERATURE (Deg. F)

CFM	Indoor T. Deg.F	10			17			20			30			40			47			50			60		
		MBH	COP	kW	MBH	COP	kW	MBH	COP	kW	MBH	COP	kW	MBH	COP	kW	MBH	COP	kW	MBH	COP	kW	MBH	COP	kW
1600	60	31.5	2.50	3.70	36.8	2.80	3.86	39.1	2.92	3.92	46.7	3.30	4.14	54.2	3.64	4.36	59.5	3.86	4.52	61.8	3.95	4.59	69.3	4.22	4.81
	70	30.6	2.23	4.02	35.8	2.51	4.18	38.0	2.62	4.24	45.4	2.98	4.46	52.9	3.31	4.68	58.0	3.51	4.84	60.3	3.60	4.91	67.7	3.87	5.13
	80	30.1	2.02	4.37	35.2	2.28	4.53	37.3	2.38	4.59	44.5	2.70	4.82	51.7	3.00	5.05	56.8	3.19	5.21	58.9	3.27	5.28	66.1	3.52	5.51
1800	60	31.8	2.36	3.95	37.2	2.66	4.10	39.5	2.78	4.16	47.2	3.17	4.37	54.8	3.51	4.58	60.2	3.74	4.72	62.5	3.83	4.78	70.2	4.12	4.99
	70	30.9	2.13	4.27	36.2	2.41	4.41	38.5	2.52	4.47	46.0	2.88	4.68	53.5	3.21	4.89	58.7	3.42	5.03	61.0	3.51	5.09	68.5	3.79	5.30
	80	30.3	1.93	4.62	35.5	2.18	4.76	37.6	2.29	4.83	45.0	2.62	5.03	52.3	2.93	5.24	57.4	3.13	5.39	59.6	3.21	5.45	66.9	3.47	5.66
2000	60	31.8	2.19	4.26	37.3	2.48	4.41	39.7	2.60	4.47	47.5	2.98	4.67	55.3	3.33	4.87	60.8	3.55	5.01	63.2	3.65	5.07	71.0	3.94	5.28
	70	31.3	2.00	4.59	36.6	2.27	4.72	38.9	2.38	4.78	46.4	2.74	4.97	54.0	3.06	5.17	59.3	3.28	5.30	61.6	3.36	5.36	69.1	3.65	5.55
	80	30.6	1.82	4.93	35.8	2.07	5.07	38.0	2.17	5.12	45.4	2.50	5.32	52.8	2.81	5.51	58.0	3.01	5.64	60.2	3.09	5.70	67.6	3.36	5.89



We Encourage  
Professionalism  
  
Through Technician  
Certification by NATE



[www.frigidaire.net](http://www.frigidaire.net)

O'Fallon, MO

**NORDYNE**

**532C-0808 (Replaces 532C-0108)**  
**Trademark Frigidaire used under license.**

Before purchasing this appliance, read important energy cost and efficiency information available from your retailer. Specifications and illustrations subject to change without notice and without incurring obligations. Printed in U.S.A. (08/08)