

TECHNICAL SPECIFICATIONS

DT4BE Series

R-410A High Efficiency Heat Pump

14 SEER Residential System 1.5 – 5 Ton Capacity

The DT4BE Series now offers the choice of an heat pump that uses a more efficient and environmentally friendly refrigerant designated R-410A. The DT4BE Series of heat pumps offers exceptional performance. The unit, when combined with our engineered coils or air handlers, offers a full line of quality, split system cooling and heating equipment.

When matched with our variable speed air handler, or our variable speed blower kits, the DT4BE is rated up to 15 SEER and 8.5+ HSPF. Units are ideally sized for slab or rooftop mounting in single, multifamily, and light commercial applications.



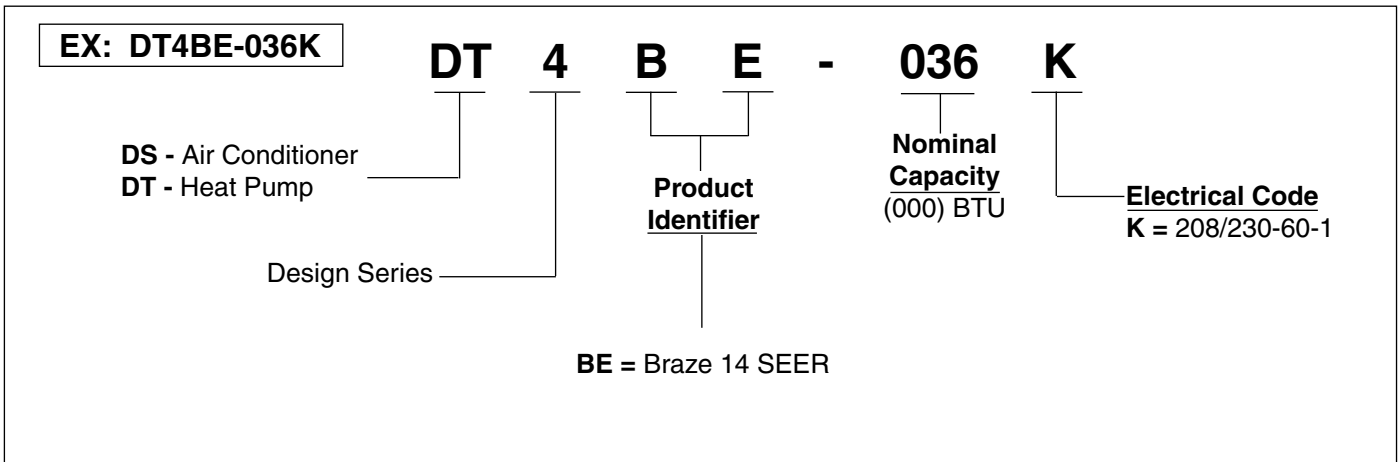
WARRANTY

- 1 year limited parts
- 5 year compressor
- 1 year mileage
- 1 year labor

FEATURES and BENEFITS

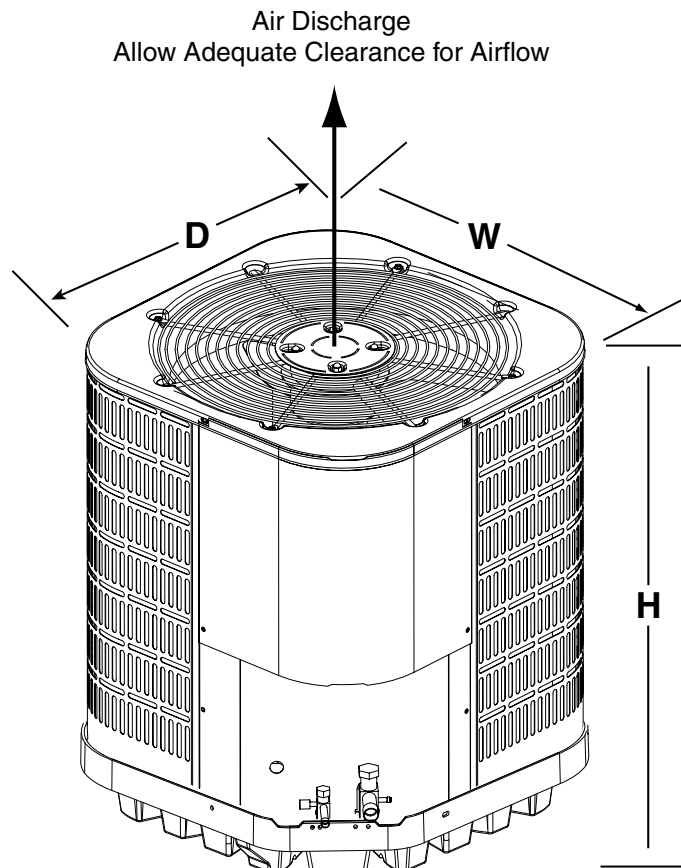
- **R-410A Refrigerant:** Earth friendly non-ozone depleting refrigerant.
- **Composite Base Pan:** Absorbs sound and is corrosion resistant. Composite is also stronger and lighter than steel.
- **Copper Tube / Aluminum Fin Coils:** Both indoor and outdoor coils are designed to optimize heat transfer, minimize size and cost, and increase durability and reliability.
- **Permanently Lubricated Motor:** A heavy duty PSC motor for long lasting reliability and quiet operation. Requires no maintenance and is completely protected from rain and snow.
- **Durable, Attractive Cabinet:** Designed using galvanized steel with a polyester urethane finish. The 950 hour salt spray finish is 1.5 mil thick and resists corrosion 50% better than comparable units.
- **Removable Top Grille Assembly:** Allows ease of service from the top without disconnecting fan motor leads.
- **High Pressure Switch:** Protects against abnormally high system pressures. Auto-reset feature prevents nuisance service visits.
- **Liquid Line Filter Drier:** Included with unit, field installed.
- **One Piece Top/Orifice:** Designed for maximum airflow and quiet operation.
- **Five Minute Restart Time Delay:** When the unit shuts down, a five minute delay keeps the unit from restarting, eliminating the highest cause for compressor failure.
- **Suction Accumulator:** Protection from liquid flood back and future compressor failures.
- **Hot Gas Muffler:** Reduces compressor noise and vibration.
- **Easy Compressor and Control Access:** Designed to make servicing easier for the contractor, access panels are provided to all controls and the compressor from the side of the unit.
- **Steel Guard™:** Protects the unit's coil from being damaged by balls, lawnmowers, hail etc.

MODEL IDENTIFICATION CODES



DIMENSIONS OUTDOOR SECTION

DT4BE	018K	024K	030K	036K	042K	048K	060K
H	43	43	43	43	43	43	43
W	30 3/4	30 3/4	30 3/4	30 3/4	30 3/4	30 3/4	30 3/4
D	30 3/4	30 3/4	30 3/4	30 3/4	30 3/4	30 3/4	30 3/4



PHYSICAL AND ELECTRICAL SPECIFICATIONS / OUTDOOR UNITS

14 SEER — High Efficiency — Single Phase

Model Number DT4BE		018K	024K	030K	036K	042K	048K	060K	
Electrical Data	Volts-Cycles-Phase (1)	208/230-60-1	208/230-60-1	208/230-60-1	208/230-60-1	208/230-60-1	208/230-60-1	208/230-60-1	
	Total Amps	11.86	16.34	15.7	16.98	20.82	21.24	27.64	
	Delay Fuse Max. (2)	20	30	30	30	40	45	60	
	Min. Circuit Ampacity	14.1	19.7	18.9	20.5	25.3	26.2	34.2	
Condenser Data	Coil	Area ft ²	25.4	25.4	25.4	25.4	25.4	25.4	
		Rows-FPI	1-20	1-20	1-20	1-20	1-20	2-16	2-16
		Tube Dia	3/8" O.D.	3/8" O.D.	3/8" O.D.	3/8" O.D.	3/8" O.D.	3/8" O.D.	3/8" O.D.
	Fan Motor	Type	BLDC	BLDC	BLDC	BLDC	BLDC	PSC	PSC
		Amps	2.9	2.9	2.9	2.9	2.9	1.4	1.4
		Watts-HP	1/3	1/3	1/3	1/3	1/3	1/4	1/4
	Fan Blade	Dia-# Blades	24"-2	24"-2	24"-2	24"-2	24"-2	24"-2	24"-2
		SCFM	2800	2800	2800	3400	4000	4000	4000
	Compressor Data	RLA	8.96	13.44	12.8	14.08	17.92	19.84	26.24
		LRA	48	58.3	64	77	112	109	134
Refrigerant suction line O.D.(all length of liquid line are 3/8" O.D.)		0-24 ft.	3/4"	3/4"	3/4"	7/8"	7/8"	7/8"	
		25-39 ft.	3/4"	3/4"	3/4"	7/8"	7/8"	1 1/8" (3)	
		40-75 ft.	3/4"	3/4"	3/4"	7/8"	7/8"	1 1/8" (3)	
Refrigerant charge (R-410A) in ounces for outdoor unit, indoor unit and 15' line set. (4)		166	166	168	174	256	246	230	
Weight Approximate (lbs.)	Net	179	180	180	182	279	280	290	
	Ship	188	189	189	191	294	295	305	

(1) Operating Voltage Range: 187V min.- 253V max.

(2) HACR Type Circuit Breaker may be used.

(3) Requires 7/8" to 1-1/8" reducer from line to unit.

(4) Additional charge for line sets above 15 feet. Values based on suction line as follows with 3/8" liquid line.

a) 3/4" = 0.6 oz. per additional foot

b) 7/8" = 0.7 oz. per additional foot

c) 1 1/8" = 0.8 oz per additional foot

ACCESSORIES - Condensing Unit

Start Assist Kit - 912933

Provides additional starting torque for the compressor motor when operating with low line voltage or high operating temperatures.

Snow Stand

Plastic-coated, molded wire stand which elevates units 7-1/4" above ground level.

913145 - (024 through 048) Shipped six (6) per box.

Outdoor Thermostat - 913235

Two-stage logic provides ability to lock out electric strips down to balance point and bring on in stages.

Time Delay Relay Kit (TDR) - 911758

FSHE Blower Kit (B - Cabinet) - 904619

Fixed High Speed Efficiency Motor

COPPER WIRE SIZE — AWG (1% Voltage Drop)				
Supply Wire Length-Feet				Supply Circuit Ampacity
200	150	100	50	
6	8	10	14	15
4	6	8	12	20
4	6	8	10	25
4	4	6	10	30
3	4	6	8	35
3	4	6	8	40
2	3	4	6	45
2	3	4	6	50

Wire Size based on N.E.C. for 60° type copper conductors.

SYSTEM COOLING CAPACITIES

14+ SEER — High Efficiency — Single Phase

Outdoor Unit Model Number DT4BE	Indoor TXV Coil + TDR	Cooling Capacity BTUH	SEER	EER	Heating Capacity BTUH @ 47 F	HSPF	SCFM
018K	C6B(A,H)-X24(C,U)-B	18,000	14	12	19,000	8.0	675
024K	C6B(A,H)-X24(C,U)-B	23,400	14	12	24,000	8.0	750
030K	C6B(A,H)-X30(C,U)-(B,C)	27,200	14	12	29,200	8.0	885
036K	C6B(A,H)-X36(C,U)-C	34,000	14	12	34,400	8.2	1200
042K	C6B(A,H)-X42(C,U)-C	41,500	14	12	40,500	8.2	1325

14+ SEER — High Efficiency — Single Phase

Outdoor Unit Model Number DT4BE-	Indoor Unit Model Number B4VM-	Cooling Capacity Btu/h	SEER	EER	Heating Capacity Btu/h @ 47°F	HSPF	Nominal SCFM
018K	X24K-(A,B)	19000	15.0	13.5	18800	8.5	675
024K	X24K-(A,B)	23400	15.0	13.5	24600	8.6	675
030K	X30K-B	28400	15.0	13.5	29400	8.7	960
036K	X36K-B	34800	15.0	13.5	33600	8.8	1125
042K	X48K-C	40000	15.5	14.0	38000	9.0	1300
048K	X48K-C	45500	14.0	12.6	44000	8.5	1660
060K	X60K-C	59000	14.0	12.5	52500	8.5	1660

All ratings are with time delay relay.

See current AHRI Directory for certified combinations and ratings.

www.ahridirectory.org

Outdoor Unit Model Number DT4BE-	Indoor TXV Coil Model Number	Indoor Unit Model Number	Cooling Capacity Btu/h	SEER	EER	Heating Capacity Btu/h @ 47°F	HSPF	Nominal SCFM
T4BE-024K	C5B(A,H)-X25(C,U)-B	E3EB(*)+FSHE	23800	15	12.5	24000	8.5	750
T4BE-030K	C5B(A,H)-X30(C,U)-B	E3EB(*)+FSHE	27600	15	12.5	29000	8.5	885
T4BE-036K	C5B(A,H)-X37(C,U)-B	E3EB(*)+FSHE	34200	15	12.5	34400	8.5	1200
T4BE-042K	C5B(A,H)-X42(C,U)-B	E3EB(*)+FSHE	39500	15	12.5	38500	8.5	1340

HEAT PUMP EXPANDED RATINGS + VSB

DT4BE-018K with C6B(A,H)-X24(C,U)-(A,B) + VSB
 DT4BE-018K with B4VM-X24K-(A,B)

ODT			75°F			85°F			95°F			105°F			115°F		
CFM	E.D.B.	E.W.B.	T.C.	S.C.	K.W.	T.C.	S.C.	K.W.	T.C.	S.C.	K.W.	T.C.	S.C.	K.W.	T.C.	S.C.	K.W.
575	80	62	19.6	17.5	1.14	18.7	17.2	1.26	17.8	16.9	1.41	16.8	16.5	1.57	15.8	15.6	1.75
	80	67	21.2	14.6	1.14	20.3	14.2	1.26	19.3	13.8	1.41	18.1	13.4	1.57	16.9	12.9	1.75
	80	72	23.1	11.6	1.14	22.1	11.2	1.26	20.9	10.8	1.41	19.7	10.4	1.57	18.3	9.9	1.76
	75	63	19.3	14.8	1.14	18.5	14.4	1.26	17.6	13.9	1.41	16.5	13.5	1.57	15.4	13.0	1.75
675	80	62	20.3	19.0	1.14	19.4	18.6	1.26	18.4	18.0	1.41	17.6	17.6	1.57	16.6	16.6	1.75
	80	67	21.8	15.9	1.14	20.8	15.5	1.26	19.0	15.0	1.41	18.6	14.6	1.57	17.3	14.0	1.76
	80	72	23.6	12.4	1.14	22.5	12.0	1.26	21.4	11.6	1.41	20.1	11.1	1.58	18.7	10.7	1.76
	75	63	20.0	16.1	1.14	19.1	15.6	1.26	18.1	15.2	1.41	17.0	14.7	1.57	15.8	14.1	1.75
775	80	62	21.1	20.0	1.15	20.2	19.6	1.26	19.3	19.0	1.41	18.3	18.2	1.57	17.2	17.1	1.75
	80	67	22.3	17.1	1.15	21.3	16.6	1.26	20.1	16.2	1.41	18.9	15.7	1.57	17.6	15.2	1.76
	80	72	24.1	13.2	1.14	22.9	12.7	1.26	21.7	12.3	1.41	20.4	11.9	1.58	19.0	11.4	1.76
	75	63	20.4	17.3	1.15	19.5	16.8	1.26	18.4	16.3	1.41	17.3	15.8	1.57	16.2	15.2	1.75

DT4BE-024K with C6B(A,H)-X24(C,U)-(A,B) + VSB
 DT4BE-024K with B4VM-X24K-(A,B)

O.D.T			75°F			85°F			95°F			105°F			115°F		
CFM	E.D.B.	E.W.B.	T.C.	S.C.	K.W.	T.C.	S.C.	K.W.	T.C.	S.C.	K.W.	T.C.	S.C.	K.W.	T.C.	S.C.	K.W.
575	80	62	23.1	18.9	1.40	22.1	18.6	1.55	21.0	18.3	1.73	19.9	18.0	1.93	18.7	17.4	2.16
	80	67	25.1	15.9	1.40	24.0	15.4	1.55	22.8	15.0	1.73	21.6	14.4	1.94	20.2	13.9	2.17
	80	72	27.6	12.8	1.40	26.3	12.4	1.55	25.0	11.9	1.74	23.5	11.4	1.95	21.9	10.9	2.18
	75	63	22.9	16.3	1.40	21.9	15.8	1.55	20.9	15.3	1.73	19.8	14.7	1.93	18.5	14.2	2.17
675	80	62	23.9	20.6	1.40	22.8	20.2	1.55	21.8	19.9	1.73	20.6	19.9	1.94	19.3	19.1	2.17
	80	67	25.9	17.1	1.40	24.7	16.6	1.55	23.4	16.1	1.73	22.2	15.6	1.94	20.8	15.0	2.17
	80	72	28.0	13.6	1.41	26.7	13.1	1.55	25.4	12.7	1.73	24.0	12.2	1.95	22.4	11.6	2.18
	75	63	23.7	17.5	1.40	22.6	17.0	1.55	21.6	16.5	1.73	20.3	15.9	1.93	19.0	15.3	2.17
775	80	62	24.5	22.5	1.41	23.5	21.9	1.55	22.4	21.6	1.73	21.2	21.2	1.94	20.0	20.0	2.17
	80	67	26.5	18.2	1.41	25.3	17.7	1.55	24.0	17.2	1.73	22.7	16.7	1.94	21.2	16.1	2.17
	80	72	28.6	14.3	1.41	27.3	13.9	1.55	25.9	13.4	1.74	24.5	12.9	1.95	22.8	12.3	2.18
	75	63	24.3	18.7	1.41	23.2	18.2	1.55	22.1	17.6	1.73	20.8	17.1	1.94	19.4	16.4	2.17

DT4BE-030K with C6B(A,H)-X30(C,U)-(A,B,C) + VSB
 DT4BE-030K with B4VM-X30K-(A,B)

O.D.T			75°F			85°F			95°F			105°F			115°F		
CFM	E.D.B.	E.W.B.	T.C.	S.C.	K.W.	T.C.	S.C.	K.W.	T.C.	S.C.	K.W.	T.C.	S.C.	K.W.	T.C.	S.C.	K.W.
860	80	62	28.2	24.7	1.72	27.0	24.2	1.90	25.8	23.9	2.11	24.4	23.5	2.35	22.8	22.5	2.62
	80	67	30.5	21.0	1.71	29.2	20.4	1.90	27.9	19.9	2.10	26.3	19.3	2.34	24.6	18.6	2.61
	80	72	30.6	21.1	1.71	29.2	20.4	1.90	27.9	19.9	2.10	26.3	19.3	2.34	24.6	18.6	2.61
	75	63	28.0	20.9	1.72	26.8	20.3	1.90	25.5	19.8	2.11	24.1	19.2	2.35	22.4	18.5	2.62
960	80	62	29.0	26.3	1.72	27.7	25.8	1.90	26.4	25.3	2.11	25.1	25.0	2.35	23.6	23.6	2.62
	80	67	31.2	22.3	1.72	29.8	21.7	1.89	28.4	21.1	2.10	26.8	20.5	2.34	25.0	19.8	2.61
	80	72	31.3	22.4	1.72	29.8	21.7	1.89	28.4	21.1	2.10	26.8	20.5	2.34	25.0	19.8	2.61
	75	63	28.6	22.2	1.72	27.3	21.6	1.90	26.0	21.0	2.11	24.5	20.4	2.35	22.9	19.7	2.62
1060	80	62	29.5	28.0	1.73	28.3	27.4	1.90	27.1	26.7	2.11	25.8	25.8	2.34	24.3	24.3	2.61
	80	67	31.8	23.6	1.73	30.3	22.9	1.90	28.8	22.4	2.10	27.2	21.7	2.34	25.4	21.0	2.61
	80	72	31.8	23.7	1.73	30.3	22.9	1.90	28.8	22.4	2.10	27.2	21.7	2.34	25.4	21.0	2.61
	75	63	29.2	23.5	1.73	27.8	22.8	1.90	26.5	22.2	2.11	25.0	21.6	2.35	23.3	20.8	2.62

DT4BE-036K with C6B(A,H)-X36(C,U)-(B,C) + VSB
 DT4BE-036K with B4VM-X36K-B

O.D.T			75°F			85°F			95°F			105°F			115°F		
CFM	E.D.B.	E.W.B.	T.C.	S.C.	K.W.	T.C.	S.C.	K.W.	T.C.	S.C.	K.W.	T.C.	S.C.	K.W.	T.C.	S.C.	K.W.
1025	80	62	34.9	31.2	2.09	33.4	30.6	2.31	31.8	30.1	2.57	30.1	29.4	2.85	28.3	27.9	3.19
	80	67	37.8	26.9	2.10	36.1	26.1	2.32	34.4	25.4	2.58	32.4	24.6	2.86	30.2	23.7	3.19
	80	72	41.2	21.4	2.11	39.4	20.7	2.34	37.4	20.0	2.59	35.2	19.3	2.88	32.9	18.4	3.21
	75	63	34.6	26.4	2.09	33.1	25.6	2.32	31.5	24.9	2.57	29.6	24.1	2.85	27.7	23.3	3.19
1125	80	62	35.7	32.7	2.10	34.1	32.0	2.32	32.4	31.4	2.57	30.8	30.8	2.86	29.1	29.0	3.19
	80	67	38.4	28.1	2.11	36.7	27.4	2.33	34.8	26.6	2.58	32.8	25.8	2.86	30.6	24.9	3.19
	80	72	41.8	22.2	2.12	39.8	21.5	2.34	37.8	20.8	2.59	35.7	20.0	2.88	33.2	19.2	3.21
	75	63	35.2	27.7	2.10	33.6	26.9	2.32	31.9	26.1	2.57	30.1	25.3	2.86	28.0	24.4	3.19
1225	80	62	36.2	34.4	2.12	34.7	33.6	2.32	33.2	32.7	2.57	31.6	31.5	2.86	29.7	29.7	3.19
	80	67	39.0	29.3	2.12	37.1	28.6	2.33	35.3	27.8	2.58	33.2	27.0	2.87	31.0	26.1	3.19
	80	72	42.2	23.0	2.13	40.2	22.3	2.34	38.3	21.6	2.60	36.0	20.8	2.88	33.6	20.0	3.21
	75	63	35.7	28.9	2.11	34.1	28.1	2.32	32.4	27.3	2.57	30.5	26.5	2.86	28.4	25.5	3.19

HEAT PUMP EXPANDED RATINGS + VSB (continued)

DT4BE-042K with C6B(A,H)-X42(C,U)-(B,C) + VSB

DT4BE-042K with B4VM-X48K-(B,C)

O.D.T			75°F			85°F			95°F			105°F			115°F		
CFM	E.D.B.	E.W.B.	T.C.	S.C.	K.W.	T.C.	S.C.	K.W.	T.C.	S.C.	K.W.	T.C.	S.C.	K.W.	T.C.	S.C.	K.W.
1115	80	62	39.2	33.4	2.46	37.5	32.7	2.73	35.8	32.2	3.01	33.8	31.8	3.34	31.8	30.6	3.71
	80	67	42.5	29.1	2.47	40.6	28.3	2.74	38.8	27.3	3.03	36.7	26.4	3.36	34.3	25.4	3.74
	80	72	46.4	23.5	2.49	44.3	22.7	2.76	42.1	22.0	3.05	39.7	21.1	3.39	37.2	20.2	3.76
	75	63	38.9	28.4	2.46	37.2	27.6	2.73	35.5	26.8	3.02	33.5	26.0	3.34	31.4	25.0	3.71
1315	80	62	40.6	36.4	2.48	38.8	35.6	2.73	37.0	35.0	3.02	35.2	34.7	3.35	33.0	33.0	3.73
	80	67	43.9	31.3	2.49	41.9	30.5	2.75	39.5	29.6	3.04	37.6	28.7	3.37	35.2	27.7	3.74
	80	72	47.4	25.1	2.51	45.2	24.2	2.76	43.0	23.4	3.06	40.7	22.6	3.39	38.0	21.6	3.77
	75	63	40.2	30.8	2.48	38.3	30.0	2.73	36.5	29.1	3.03	34.5	28.2	3.35	32.2	27.2	3.72
1515	80	62	41.9	39.1	2.50	40.1	38.2	2.74	38.2	37.6	3.03	36.3	36.3	3.36	34.3	34.2	3.74
	80	67	44.9	33.6	2.50	42.8	32.7	2.75	40.7	31.8	3.04	38.4	30.9	3.38	35.8	29.8	3.74
	80	72	48.4	26.6	2.52	46.1	25.7	2.77	43.8	24.9	3.07	41.4	24.0	3.40	38.6	23.0	3.77
	75	63	41.2	33.1	2.49	39.3	32.2	2.74	37.4	31.3	3.03	35.2	30.3	3.36	32.9	29.2	3.73

DT4BE-048K with C6B(A,H)-X48(C,U)-C + VSB

DT4BE-048K with B4VM-X48K-C

ODT			75°F			85°F			95°F			105°F			115°F		
CFM	E.D.B.	E.W.B.	T.C.	S.C.	K.W.	T.C.	S.C.	K.W.	T.C.	S.C.	K.W.	T.C.	S.C.	K.W.	T.C.	S.C.	K.W.
1460	80	62	45.7	40.5	2.95	43.8	39.8	3.27	41.7	39.1	3.61	39.5	38.3	4.00	37.2	36.6	4.44
	80	67	49.3	34.9	2.97	47.1	33.9	3.29	44.9	32.9	3.63	42.5	31.9	4.02	39.7	30.8	4.45
	80	72	53.4	28.0	2.98	51.0	27.1	3.31	48.5	26.2	3.65	45.9	25.2	4.04	43.0	24.1	4.47
	75	63	45.2	34.4	2.95	43.2	33.4	3.27	41.2	32.5	3.62	38.9	31.4	4.00	36.4	30.3	4.44
1660	80	62	47.1	43.2	2.97	45.0	42.3	3.28	42.8	41.5	3.62	40.7	40.7	4.01	38.5	38.5	4.45
	80	67	50.5	37.2	2.98	48.2	36.1	3.29	45.5	35.2	3.63	43.3	34.1	4.02	40.5	32.9	4.46
	80	72	54.4	29.5	3.00	51.9	28.6	3.31	49.4	27.6	3.65	46.6	26.6	4.04	43.6	25.5	4.48
	75	63	46.3	36.7	2.97	44.2	35.6	3.28	42.1	34.7	3.62	39.7	33.6	4.01	37.1	32.4	4.44
1860	80	62	48.1	45.7	2.99	46.0	44.6	3.28	44.1	43.5	3.63	42.0	41.9	4.02	39.6	39.6	4.45
	80	67	51.4	39.4	3.00	49.0	38.3	3.30	46.6	37.3	3.64	44.0	36.2	4.03	41.1	35.0	4.46
	80	72	55.3	31.0	3.02	52.6	30.0	3.32	50.1	29.0	3.66	47.3	28.0	4.04	44.2	26.9	4.48
	75	63	47.2	38.9	2.99	45.0	37.8	3.28	42.8	36.7	3.62	40.4	35.6	4.01	37.8	34.3	4.45

DT4BE-060K with C6B(A,H)-X60(C,U)-C + VSB

DT4BE-060K with B4VM-X60K-C

ODT			75°F			85°F			95°F			105°F			115°F		
CFM	E.D.B.	E.W.B.	T.C.	S.C.	K.W.	T.C.	S.C.	K.W.	T.C.	S.C.	K.W.	T.C.	S.C.	K.W.	T.C.	S.C.	K.W.
1460	80	62	58.4	46.7	3.93	55.8	45.8	4.35	53.2	45.0	4.82	50.3	44.4	5.36	47.0	42.7	5.97
	80	67	63.4	40.5	3.98	60.6	39.4	4.41	57.8	38.2	4.89	54.6	36.8	5.42	51.0	35.4	6.03
	80	72	69.5	33.1	4.06	66.4	32.0	4.50	63.1	30.8	4.97	59.6	29.6	5.50	55.5	28.2	6.11
	75	63	58.1	40.5	3.94	55.6	39.3	4.36	53.0	38.1	4.82	50.1	36.5	5.36	46.8	35.0	5.96
1660	80	62	60.1	50.0	3.96	57.4	49.0	4.37	54.7	48.2	4.84	51.7	48.2	5.38	48.3	46.4	5.99
	80	67	65.2	43.1	4.02	62.2	41.9	4.43	59.0	40.7	4.91	55.9	39.0	5.44	52.2	37.5	6.05
	80	72	71.0	34.8	4.10	67.7	33.6	4.52	64.3	32.5	4.98	60.4	31.2	5.52	56.3	29.7	6.12
	75	63	59.8	42.7	3.96	57.1	41.5	4.37	54.4	40.3	4.84	51.3	38.9	5.38	47.9	37.4	5.98
1860	80	62	61.4	53.9	4.01	58.8	52.6	4.39	56.0	52.0	4.86	52.9	51.0	5.40	49.5	48.7	6.00
	80	67	66.7	45.1	4.05	63.6	43.9	4.45	60.5	42.7	4.93	57.0	41.2	5.46	53.1	39.7	6.06
	80	72	72.0	36.4	4.13	68.6	35.2	4.54	65.2	34.0	5.01	61.4	32.6	5.54	57.2	31.1	6.14
	75	63	61.3	45.1	3.99	58.5	43.9	4.39	55.5	42.6	4.86	52.3	41.2	5.40	48.8	39.6	6.00

HEAT PUMP EXPANDED RATINGS + VSB HEATING

DT4BE-018K with C6B(A,H)-X24(C,U)-(A,B) + VSB

DT4BE-018K with B4VM-X24K-(A,B)

		OUTDOOR TEMPERATURE (Deg. F)																							
CFM	Indoor T. Deg.F	10			17			20			30			40			47			50			60		
		MBH	COP	kW	MBH	COP	kW	MBH	COP	kW	MBH	COP	kW	MBH	COP	kW	MBH	COP	kW	MBH	COP	kW	MBH	COP	kW
510	60	10.0	2.13	1.38	12.0	2.50	1.40	12.8	2.66	1.41	15.5	3.17	1.43	18.2	3.66	1.46	20.2	4.00	1.48	21.0	4.14	1.49	23.7	4.59	1.51
	70	9.5	2.14	1.31	11.3	2.46	1.34	12.0	2.59	1.36	14.5	3.01	1.41	17.0	3.40	1.46	18.7	3.66	1.50	19.5	3.77	1.51	21.9	4.11	1.56
	80	8.9	2.09	1.25	10.5	2.37	1.30	11.2	2.49	1.32	13.4	2.85	1.38	15.6	3.19	1.44	17.2	3.40	1.48	17.9	3.49	1.50	20.1	3.78	1.56
610	60	10.1	2.08	1.42	12.0	2.45	1.44	12.9	2.61	1.45	15.7	3.12	1.47	18.5	3.61	1.50	20.4	3.95	1.52	21.3	4.09	1.52	24.1	4.56	1.55
	70	9.6	2.08	1.36	11.4	2.40	1.39	12.2	2.53	1.41	14.7	2.96	1.46	17.2	3.36	1.51	19.0	3.62	1.54	19.8	3.73	1.55	22.3	4.08	1.60
	80	9.0	2.05	1.29	10.7	2.33	1.34	11.3	2.45	1.36	13.6	2.81	1.42	16.0	3.14	1.49	17.6	3.35	1.54	18.3	3.44	1.56	20.6	3.72	1.62
710	60	10.3	2.05	1.47	12.2	2.42	1.49	13.1	2.57	1.49	15.9	3.08	1.51	18.7	3.58	1.53	20.7	3.92	1.55	21.5	4.07	1.55	24.3	4.54	1.57
	70	9.7	2.04	1.40	11.5	2.37	1.43	12.3	2.50	1.44	14.9	2.93	1.49	17.5	3.33	1.54	19.3	3.59	1.57	20.1	3.70	1.59	22.7	4.06	1.64
	80	9.2	2.01	1.34	10.8	2.29	1.38	11.5	2.40	1.40	13.8	2.76	1.47	16.1	3.08	1.54	17.7	3.29	1.58	18.4	3.38	1.60	20.8	3.65	1.67

DT4BE-024K with C6B(A,H)-X24(C,U)-(A,B) + VSB

DT4BE-024K with B4VM-X24K-(A,B)

		OUTDOOR TEMPERATURE (Deg. F)																							
CFM	Indoor T. Deg.F	10			17			20			30			40			47			50			60		
		MBH	COP	kW	MBH	COP	kW	MBH	COP	kW	MBH	COP	kW	MBH	COP	kW	MBH	COP	kW	MBH	COP	kW	MBH	COP	kW
600	60	12.7	2.40	1.55	15.0	2.74	1.61	16.0	2.88	1.63	19.2	3.31	1.70	22.5	3.71	1.77	24.8	3.97	1.83	25.7	4.08	1.85	29.0	4.42	1.92
	70	12.1	2.36	1.51	14.3	2.65	1.58	15.2	2.76	1.61	18.2	3.12	1.71	21.2	3.44	1.81	23.3	3.64	1.88	24.2	3.72	1.91	27.2	3.98	2.01
	80	11.6	2.28	1.48	13.5	2.53	1.56	14.3	2.63	1.60	17.1	2.93	1.71	19.9	3.20	1.82	21.8	3.36	1.90	22.7	3.43	1.94	25.4	3.64	2.05
700	60	12.8	2.35	1.60	15.1	2.69	1.65	16.1	2.83	1.67	19.4	3.27	1.74	22.7	3.68	1.81	25.0	3.95	1.86	26.0	4.06	1.88	29.4	4.41	1.95
	70	12.3	2.31	1.56	14.4	2.60	1.62	15.3	2.72	1.65	18.4	3.08	1.75	21.5	3.41	1.84	23.6	3.62	1.91	24.5	3.71	1.94	27.6	3.97	2.04
	80	11.7	2.25	1.52	13.7	2.50	1.60	14.5	2.60	1.64	17.3	2.90	1.75	20.2	3.17	1.87	22.2	3.34	1.95	23.0	3.41	1.98	25.9	3.62	2.10
800	60	12.9	2.31	1.64	15.2	2.65	1.69	16.3	2.79	1.71	19.6	3.24	1.77	22.9	3.66	1.84	25.3	3.93	1.89	26.3	4.05	1.91	29.6	4.41	1.97
	70	12.4	2.28	1.59	14.5	2.57	1.66	15.5	2.69	1.69	18.6	3.06	1.78	21.7	3.39	1.88	23.9	3.61	1.94	24.8	3.69	1.97	28.0	3.97	2.07
	80	11.8	2.21	1.56	13.8	2.46	1.64	14.7	2.56	1.68	17.5	2.87	1.79	20.4	3.13	1.91	22.4	3.30	1.99	23.2	3.37	2.02	26.1	3.58	2.13

DT4BE-030K with C6B(A,H)-X30(C,U)-(A,B,C) + VSB

DT4BE-030K with B4VM-X30K-(A,B)

		OUTDOOR TEMPERATURE (Deg. F)																							
CFM	Indoor T. Deg.F	10			17			20			30			40			47			50			60		
		MBH	COP	kW	MBH	COP	kW	MBH	COP	kW	MBH	COP	kW	MBH	COP	kW	MBH	COP	kW	MBH	COP	kW	MBH	COP	kW
785	60	15.8	2.62	1.76	18.5	2.91	1.87	19.7	3.03	1.91	23.7	3.38	2.05	27.6	3.68	2.20	30.3	3.87	2.30	31.5	3.95	2.34	35.5	4.18	2.49
	70	15.1	2.53	1.75	17.7	2.78	1.87	18.9	2.87	1.93	22.6	3.15	2.10	26.3	3.39	2.27	28.9	3.54	2.39	30.0	3.60	2.44	33.7	3.78	2.62
	80	14.6	2.43	1.76	17.0	2.63	1.90	18.1	2.71	1.95	21.5	2.94	2.15	25.0	3.14	2.34	27.5	3.25	2.47	28.5	3.30	2.53	32.0	3.44	2.72
885	60	15.8	2.57	1.80	18.6	2.87	1.90	19.8	2.99	1.94	23.8	3.35	2.09	27.8	3.67	2.23	30.7	3.87	2.32	31.9	3.95	2.37	35.9	4.19	2.51
	70	15.3	2.49	1.80	17.9	2.74	1.92	19.0	2.84	1.97	22.8	3.13	2.13	26.6	3.38	2.30	29.2	3.54	2.42	30.3	3.60	2.47	34.1	3.79	2.64
	80	14.7	2.39	1.80	17.2	2.60	1.93	18.2	2.68	1.99	21.8	2.93	2.18	25.3	3.13	2.37	27.8	3.25	2.51	28.9	3.30	2.56	32.4	3.45	2.75
985	60	15.9	2.53	1.85	18.8	2.83	1.94	20.0	2.96	1.98	24.0	3.33	2.12	28.1	3.65	2.25	30.9	3.86	2.35	32.1	3.94	2.39	36.2	4.20	2.53
	70	15.4	2.46	1.83	18.1	2.72	1.95	19.2	2.82	2.00	23.0	3.12	2.16	26.8	3.38	2.33	29.5	3.54	2.44	30.6	3.60	2.49	34.5	3.80	2.66
	80	14.8	2.36	1.84	17.3	2.58	1.97	18.4	2.66	2.03	21.9	2.90	2.21	25.5	3.11	2.40	28.0	3.24	2.54	29.1	3.29	2.59	32.6	3.44	2.78

DT4BE-036K with C6B(A,H)-X36(C,U)-(B,C) + VSB

DT4BE-036K with B4VM-X36K-B

		OUTDOOR TEMPERATURE (Deg. F)																							
CFM	Indoor T. Deg.F	10			17			20			30			40			47			50			60		
		MBH	COP	kW	MBH	COP	kW	MBH	COP	kW	MBH	COP	kW	MBH	COP	kW	MBH	COP	kW	MBH	COP	kW	MBH	COP	kW
975	60	17.7	2.63	1.97	21.0	3.01	2.05	22.4	3.16	2.08	27.1	3.64	2.18	31.7	4.07	2.28	35.0	4.36	2.36	36.4	4.47	2.39	41.1	4.84	2.49
	70	17.0	2.51	1.99	20.2	2.84	2.08	21.5	2.98	2.12	26.0	3.39	2.24	30.4	3.77	2.37	33.5	4.01	2.45	34.9	4.10	2.49	39.3	4.41	2.62
	80	16.5	2.38	2.03	19.4	2.68	2.13	20.7	2.80	2.17	24.9	3.17	2.31	29.2	3.50	2.45	32.1	3.70	2.54	33.4	3.79	2.59	37.6	4.05	2.72
1125	60	17.8	2.58	2.03	21.2	2.96	2.10	22.6	3.12	2.13	27.4	3.61	2.22	32.1	4.06	2.32	35.5	4.35	2.39	36.9	4.47	2.42	41.6	4.85	2.52
	70	17.2	2.46	2.05	20.4	2.80	2.14	21.8	2.94	2.17	26.3	3.37	2.29	30.8	3.75	2.41	34.0	4.00	2.49	35.4	4.10	2.53	39.9	4.42	2.65
	80	16.6	2.33	2.09	19.7	2.64	2.18	20.9	2.76	2.22	25.3	3.14	2.36	29.6	3.48	2.49	32.6	3.70	2.59	33.9	3.78	2.63	38.2	4.06	2.76
1275	60	18.0	2.53	2.08	21.3	2.92	2.15	22.8	3.07	2.17	27.6	3.57	2.27	32.5	4.03	2.36	35.9	4.33	2.43	37.3	4.46	2.46	42.2	4.85	2.55
	70	17.4	2.43	2.10	20.6	2.77	2.18	22.0	2.91	2.22	26.6	3.35	2.33	31.2	3.74	2.45	34.5	3.99	2.53	35.8	4.10	2.56	40.4	4.43	2.68
	80	16.8	2.30	2.14	19.9	2.61	2.24	21.2	2.73	2.27	25.6	3.12	2.41	29.9	3.46	2.54	33.0	3.68	2.63	34.3	3.77	2.67	38.7	4.05	2.80

HEAT PUMP EXPANDED RATINGS + VSB HEATING (continued)

DT4BE-042K with C6B(A,H)-X42(C,U)-(B,C) + VSB

DT4BE-042K with B4VM-X48K-(B,C)

CFM		Indoor T. Deg.F	OUTDOOR TEMPERATURE (Deg. F)																										
			10			17			20			30			40			47			50			60					
			MBH	COP	kW	MBH	COP	kW	MBH	COP	kW	MBH	COP	kW	MBH	COP	kW	MBH	COP	kW	MBH	COP	kW	MBH	COP	kW	MBH	COP	kW
1175	60	21.0	2.68	2.30	24.8	3.03	2.40	26.4	3.17	2.45	31.8	3.60	2.59	37.2	3.99	2.74	41.0	4.23	2.84	42.6	4.33	2.88	48.0	4.65	3.03				
	70	20.3	2.51	2.37	23.9	2.82	2.49	25.5	2.95	2.54	30.7	3.33	2.70	35.9	3.67	2.87	39.5	3.89	2.98	41.1	3.97	3.03	46.3	4.24	3.20				
	80	19.8	2.35	2.46	23.2	2.63	2.59	24.7	2.74	2.64	29.7	3.09	2.82	34.7	3.39	3.00	38.1	3.57	3.13	39.6	3.65	3.18	44.6	3.89	3.36				
1325	60	21.2	2.65	2.35	25.0	3.00	2.45	26.7	3.14	2.49	32.2	3.59	2.63	37.6	3.99	2.77	41.5	4.24	2.86	43.1	4.35	2.91	48.6	4.68	3.05				
	70	20.5	2.48	2.42	24.2	2.80	2.53	25.8	2.93	2.58	31.0	3.32	2.74	36.3	3.68	2.90	40.0	3.90	3.01	41.6	3.99	3.06	46.8	4.28	3.21				
	80	19.9	2.32	2.51	23.5	2.61	2.64	25.0	2.72	2.69	30.0	3.08	2.86	35.1	3.39	3.03	38.6	3.59	3.16	40.2	3.67	3.21	45.2	3.92	3.38				
1475	60	21.3	2.60	2.40	25.2	2.96	2.49	26.8	3.11	2.53	32.4	3.56	2.67	38.0	3.98	2.80	41.9	4.24	2.90	43.6	4.35	2.94	49.1	4.69	3.07				
	70	20.7	2.46	2.47	24.5	2.78	2.58	26.1	2.91	2.62	31.4	3.32	2.78	36.7	3.68	2.93	40.5	3.91	3.04	42.0	4.00	3.08	47.4	4.30	3.23				
	80	20.1	2.30	2.56	23.7	2.59	2.68	25.2	2.71	2.73	30.3	3.07	2.90	35.4	3.39	3.07	39.0	3.59	3.18	40.5	3.68	3.23	45.7	3.94	3.40				

DT4BE-048K with C6B(A,H)-X48(C,U)-C + VSB

DT4BE-048K with B4VM-X48K-C

CFM		Indoor T. Deg.F	OUTDOOR TEMPERATURE (Deg. F)																										
			10			17			20			30			40			47			50			60					
			MBH	COP	kW	MBH	COP	kW	MBH	COP	kW	MBH	COP	kW	MBH	COP	kW	MBH	COP	kW	MBH	COP	kW	MBH	COP	kW	MBH	COP	kW
1475	60	25.2	2.65	2.79	28.7	2.94	2.86	30.1	3.06	2.89	35.1	3.44	2.99	40.0	3.80	3.09	43.5	4.03	3.16	45.0	4.13	3.19	49.9	4.44	3.29				
	70	24.4	2.44	2.93	27.7	2.70	3.01	29.2	2.81	3.04	33.9	3.16	3.15	38.7	3.48	3.26	42.0	3.70	3.33	43.5	3.78	3.37	48.2	4.07	3.48				
	80	23.9	2.26	3.09	27.0	2.50	3.17	28.4	2.60	3.21	32.9	2.91	3.32	37.5	3.20	3.44	40.7	3.39	3.52	42.0	3.47	3.55	46.6	3.72	3.67				
1625	60	25.4	2.63	2.83	28.9	2.93	2.89	30.4	3.05	2.92	35.4	3.44	3.02	40.5	3.81	3.11	44.0	4.06	3.18	45.5	4.16	3.21	50.5	4.48	3.30				
	70	24.6	2.43	2.97	28.0	2.70	3.04	29.5	2.81	3.07	34.3	3.17	3.18	39.1	3.50	3.28	42.5	3.72	3.35	44.0	3.81	3.38	48.8	4.11	3.48				
	80	24.0	2.25	3.14	27.3	2.49	3.21	28.6	2.59	3.24	33.3	2.91	3.35	37.9	3.21	3.46	41.1	3.41	3.53	42.5	3.50	3.57	47.2	3.77	3.67				
1775	60	25.4	2.60	2.87	29.0	2.90	2.93	30.5	3.03	2.96	35.7	3.43	3.05	40.8	3.81	3.14	44.4	4.06	3.21	45.9	4.16	3.23	51.1	4.50	3.33				
	70	24.9	2.42	3.01	28.3	2.69	3.08	29.7	2.81	3.11	34.6	3.17	3.21	39.5	3.51	3.30	43.0	3.74	3.37	44.4	3.83	3.40	49.3	4.13	3.50				
	80	24.2	2.24	3.17	27.5	2.48	3.25	28.9	2.59	3.28	33.6	2.91	3.38	38.3	3.22	3.48	41.5	3.43	3.55	42.9	3.51	3.58	47.6	3.79	3.68				

DT4BE-060K with C6B(A,H)-X60(C,U)-C + VSB

DT4BE-060K with B4VM-X60K-C

CFM		Indoor T. Deg.F	OUTDOOR TEMPERATURE (Deg. F)																										
			10			17			20			30			40			47			50			60					
			MBH	COP	kW	MBH	COP	kW	MBH	COP	kW	MBH	COP	kW	MBH	COP	kW	MBH	COP	kW	MBH	COP	kW	MBH	COP	kW	MBH	COP	kW
1450	60	32.8	2.65	3.62	36.8	2.87	3.76	38.6	2.96	3.82	44.4	3.24	4.02	50.2	3.49	4.21	54.3	3.66	4.35	56.1	3.73	4.41	61.9	3.94	4.61				
	70	31.8	2.39	3.89	35.8	2.60	4.04	37.5	2.68	4.10	43.2	2.95	4.30	48.9	3.19	4.50	52.9	3.34	4.64	54.6	3.41	4.70	60.3	3.61	4.90				
	80	31.3	2.19	4.19	35.2	2.38	4.34	36.8	2.45	4.40	42.3	2.69	4.61	47.7	2.90	4.82	51.5	3.05	4.96	53.2	3.10	5.03	58.6	3.29	5.23				
1650	60	33.1	2.65	3.65	37.2	2.88	3.78	39.0	2.98	3.84	44.9	3.27	4.02	50.8	3.54	4.21	55.0	3.72	4.34	56.8	3.79	4.40	62.7	4.01	4.58				
	70	32.2	2.41	3.92	36.2	2.62	4.05	37.9	2.71	4.11	43.7	2.98	4.30	49.5	3.24	4.48	53.5	3.40	4.61	55.2	3.47	4.67	61.0	3.68	4.86				
	80	31.5	2.19	4.22	35.5	2.39	4.36	37.1	2.47	4.41	42.7	2.72	4.61	48.3	2.95	4.80	52.2	3.11	4.93	53.9	3.17	4.99	59.4	3.37	5.18				
1850	60	33.1	2.63	3.69	37.3	2.87	3.81	39.1	2.97	3.87	45.2	3.28	4.05	51.3	3.56	4.23	55.6	3.74	4.36	57.4	3.82	4.41	63.5	4.06	4.59				
	70	32.5	2.41	3.96	36.6	2.63	4.09	38.4	2.72	4.14	44.2	3.00	4.32	50.0	3.27	4.49	54.1	3.44	4.61	55.8	3.51	4.67	61.7	3.73	4.84				
	80	31.9	2.19	4.26	35.8	2.40	4.38	37.5	2.48	4.44	43.1	2.74	4.61	48.8	2.99	4.79	52.7	3.15	4.91	54.4	3.21	4.97	60.1	3.43	5.14				



GENERAL TERMS OF LIMITED WARRANTY

NORDYNE will furnish a replacement for any part of this product which fails in normal use and service within the first year of installation, in accordance with the terms of the warranty.

For complete details of the Limited Warranty, including applicable terms and conditions, see your local installer or contact the NORDYNE warranty department for a copy.

NORDYNE

COMPLETE COMFORT. GENUINE VALUE.

8000 Phoenix Parkway | O'Fallon, MO 63368-3827

Specifications and illustrations subject to change without notice and without incurring obligations. Printed in U.S.A (03/2010)

476D-0310 (Replaces 476D-0809)