

TECHNICAL SPECIFICATIONS

JT4(B,Q)E Series

High Efficiency Heat Pump 14 SEER Residential System 1.5 – 4 Ton Capacity

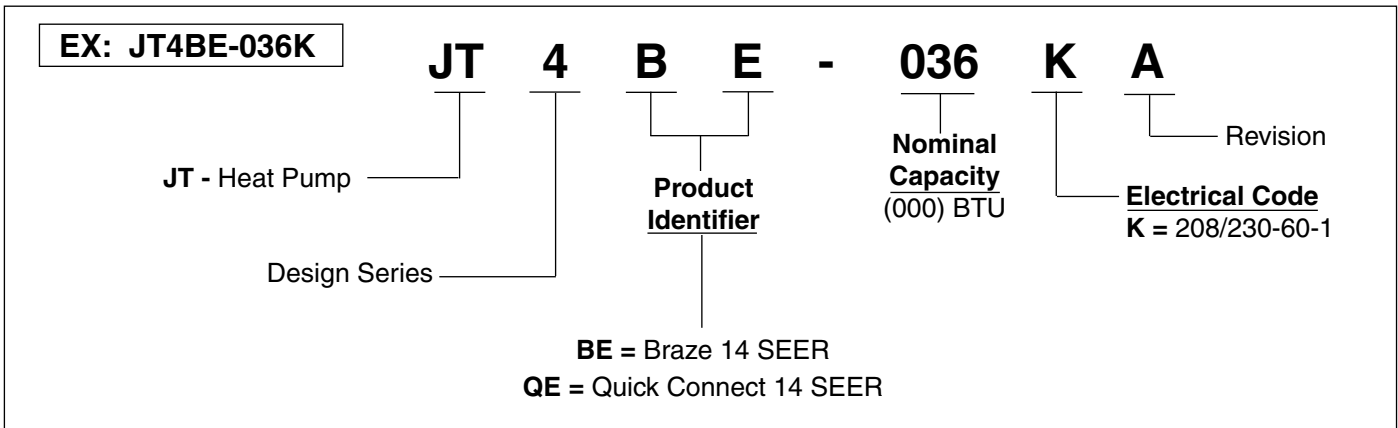
The JT4(B,Q)E Series of heat pumps offers exceptional performance. The unit, when combined with our engineered coils or air handlers, offers a full line of quality, split system cooling and heating equipment.



FEATURES and BENEFITS

- **Composite Base Pan:** Absorbs sound and corrosion resistant. Composite is also stronger and lighter than steel.
- **Permanently Lubricated Motor:** A heavy duty PSC motor for long lasting reliability and quiet operation. Requires no maintenance and is completely protected from rain and snow.
- **Durable, Attractive Cabinet:** Designed using galvanized steel with a polyester urethane finish. The 950 hour salt spray finish is 1.5 mil thick and resists corrosion 50% better than comparable units.
- **Removable Top Grille Assembly:** Allows ease of service from the top without disconnecting fan motor leads.
- **High Pressure Switch:** Protects against abnormally high system pressures. Auto-reset feature prevents nuisance service visits.
- **Liquid Line Filter Drier:** Included with unit.
- **One Piece Top/Orifice:** Designed for maximum airflow and quiet operation.
- **Five Minute Restart Time Delay:** When the unit shuts down, a five minute delay keeps the unit from restarting, eliminating the highest cause for compressor failure.
- **Suction Accumulator:** Protection from liquid flood back and future compressor failures.
- **Hot Gas Muffler:** Reduces compressor noise and vibration.
- **Easy Compressor and Control Access:** Designed to make servicing easier for the contractor, access panels are provided to all controls and the compressor from the side of the unit.
- **Complete Metal Wrapper:** Protects the units coil from being damaged.
- **Fixed Orifice:** Integrated in liquid line service valve for easy change-out.
- **Micro-Channel Coils:** All aluminum coils in all models which provides high corrosion resistance.

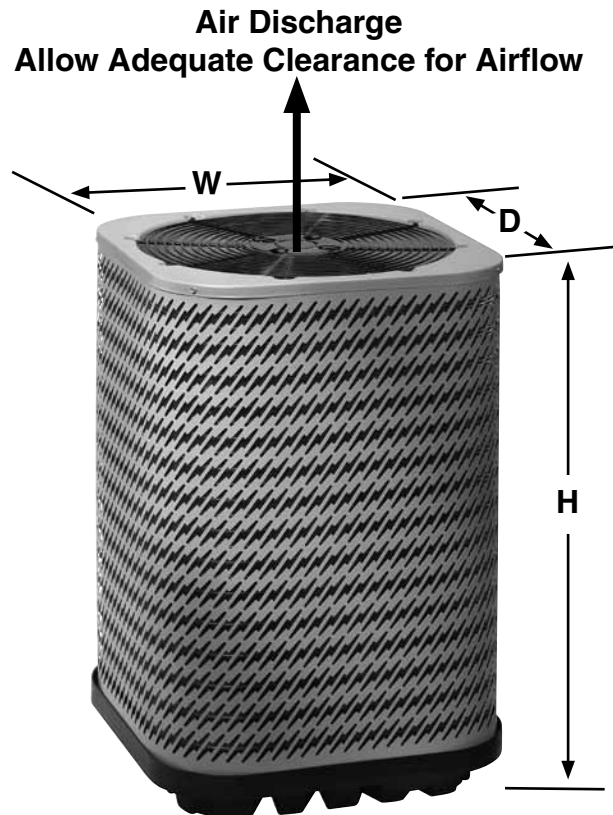
MODEL IDENTIFICATION CODES



DIMENSIONS OUTDOOR SECTION

JT4(B,Q)E	018KA*	024KA	030KA	036KA	042KA	048KA	060KA
H	31 1/2"	31 1/2"	39 1/2"	43 1/2"	43 1/2"	43 1/2"	43 1/2"
W	30 3/4"	30 3/4"	30 3/4"	30 3/4"	30 3/4"	30 3/4"	30 3/4"
D	30 3/4"	30 3/4"	30 3/4"	30 3/4"	30 3/4"	30 3/4"	30 3/4"

*JT4QE-018KA Not Available



PHYSICAL AND ELECTRICAL SPECIFICATIONS / OUTDOOR UNITS

14 SEER — High Efficiency — Single Phase

Model Number JT4(B,Q)E		018KA	024KA	030KA	036KA	042KA	048KA	
Electrical Data	Volts-Cycles-Phase (1)	208/230-60-1						
	Total Amps	9.9	14.4	13.7	15.1	19.4	21.3	
	Delay Fuse Max. (2)	20	30	25	30	40	45	
	Min. Circuit Ampacity	12.1	17.7	16.9	18.6	23.9	26.3	
Component Data	Coil	Area	17.5	17.5	22.5	25.0	24.4	24.4
		Rows-FPI	1 - 14	1 - 14	1 - 14	1 - 14	1 - 14	1 - 14
		Tube Dia	MC					
	Fan Motor	Type	PSC					
		Amps	0.9	0.9	0.9	1.0	1.5	1.5
		HP	0.13	0.13	0.13	0.20	0.25	0.25
	Compressor Data	RLA	9.0	13.4	12.8	14.1	17.9	19.8
		LRA	46.0	58.3	64.0	77.0	112.0	109.0
Refrigerant suction line O.D. NOTE: Liquid line is 3/8" O.D. for entire length."		0-24 ft.	3/4"	3/4"	3/4"	7/8"	7/8"	7/8"
		25-39 ft.	3/4"	3/4"	3/4"	7/8"	7/8"	7/8"
		40-75 ft.	3/4"	3/4"	3/4"	7/8"	7/8"	7/8"
Approximate Weight (lbs.)	Net	135	140	149	158	191	193	
	Ship	144	149	158	167	200	202	
Sound Rating db		75	75	75	76	79	79	

(1) Operating Voltage Range: 187v min. - 253v max.

(2) HACR Type Circuit Breakers may be used.

(3) Requires 7/8" to 1-1/8" reducer from line to unit.

Notes:

Additional charge for line sets above 15 feet.

Values based on suction line as follows with 3/8" liquid line.

a) 3/4" = 0.6 oz. per additional foot.

b) 7/8" = 0.7 oz. per additional foot.

c) 1 1/8" = 0.8 oz. per additional foot.

JT4(B,Q)E ACCESSORIES

Description	Part Number
Start Assist Kit - Provides additional starting torque for the compressor motor when operating with low line voltage or high operating temperatures.	912933
Fan Delay Kit (TDR) - 80-second fan delay.	918476
Insulated Pre-Charged Line Sets - A line set consists of a liquid line, an insulated suction line, service gaugeports, and the quick-connect coupling. 15, 20, 25, 30, 40, and 50 ft. lengths are available. Lines are factory pre-charged such that no additional refrigerant charge is required on matched systems.	
Extreme Wind Condition Mounting Kit	920900
Outdoor Thermostat - Two-stage logic provides ability to lock out electric strips down to balance point and bring on in stages.	913852
Filter Kit, 18"	921784
Filter Kit, 24"	921785
Filter Kit, 28"	1006697
Coil Box, M1/M7	922594
Coil Box, E3/E4, Upflow	902976
Coil Box, E3/E4, Front Return	904067

SYSTEM HEATING AND COOLING CAPACITIES

14+ SEER — High Efficiency — Single Phase

With M1 & M7 (+Coleman/Vexar Gas or Electric)								
Outdoor Unit	Indoor Unit	Coil Height	BTUH	SEER	EER	Heating Capacity BTUH @ 47° F	HSPF	CFM
JT4BE-018KA	C8(B,D)AMX24U-B	18"	17900	14	11.5	17000	7.7	660
JT4BE-024KA	C8(B,D)AMX24U-B	18"	23600	14	11.5	22600	8.2	980
JT4BE-030KA	C8(B,D)AMX30U-B	18"	28000	14	11.5	28000	8.5	1200
JT4BE-036KA	C8(B,D)AMX36U-B	18"	34000	14	11.5	34000	8.5	1200
JT4BE-042KA	C8(B,D)AMX42U-B	24" *	40500	14	11.5	42500	8.5	1355

JT4QE-024KA	C8QAMX24U-B	18"	23600	14	11.5	22600	8.2	810
JT4QE-030KA	C8QAMX30U-B	18"	28000	14	11.5	28000	8.5	980
JT4QE-036KA	C8QAMX36U-B	18"	34000	14	11.5	34000	8.5	1200
JT4QE-042KA	C8QAMX42U-B	24" *	40500	14	11.5	42500	8.5	1355

*Requires 922594 M1/M7 24" Coil Box

With E3/E4 Furnace								
Outdoor Unit	Indoor Unit	Coil Height	BTUH	SEER	EER	Heating Capacity BTUH @ 47° F	HSPF	CFM
JT4BE-018KA	C8(B,D)AMX24U-B	18"	17900	14	11.5	17000	7.7	660
JT4BE-024KA	C8(B,D)AMX24U-B	18"	23600	14	11.5	22600	8.2	980
JT4BE-030KA	C8(B,D)AMX30U-B	18"	28000	14	11.5	28000	8.5	1200
JT4BE-036KA	C8(B,D)AMX36U-B	18"	34000	14	11.5	34000	8.5	1200
JT4BE-042KA	C8(B,D)AMX42U-B	24"	40500	14	11.5	42500	8.5	1355
JT4BE-048KA	C8(B,D)AMX49U-B	28" **	46000	14	11.5	47000	8.5	1460

JT4QE-024KA	C8QAMX24U-B	18"	23600	14	11.5	22600	8.2	810
JT4QE-030KA	C8QAMX30U-B	18"	28000	14	11.5	28000	8.5	980
JT4QE-036KA	C8QAMX36U-B	18"	34000	14	11.5	34000	8.5	1200
JT4QE-042KA	C8QAMX42U-B	24"	40500	14	11.5	42500	8.5	1355
JT4QE-048KA	C8QAMX49U-B	28" **	46000	14	11.5	47000	8.5	1460

**Can only be used with grille and frame door

All ratings are with time delay relay.

See current AHRI Directory for certified combinations and ratings.

www.ahridirectory.org



GENERAL TERMS OF LIMITED WARRANTY

Nortek Global HVAC LLC will furnish a replacement for any part of this product which fails in normal use and service within the terms and conditions of the warranty.

For complete details of the Limited Warranty, including applicable terms and conditions, see your local installer or contact the Nortek Global HVAC LLC warranty department for a copy.

Before purchasing this appliance, read important energy cost and efficiency information available from your retailer. Specifications and illustrations subject to change without notice and without incurring obligations. Printed in U.S.A (08/2015)