

TECHNICAL SPECIFICATIONS

R8GE Series

Single Packaged Gas/Electric Units 14 SEER, 11.0 EER 81% AFUE 2 Ton thru 5 Ton Units FER Compliant

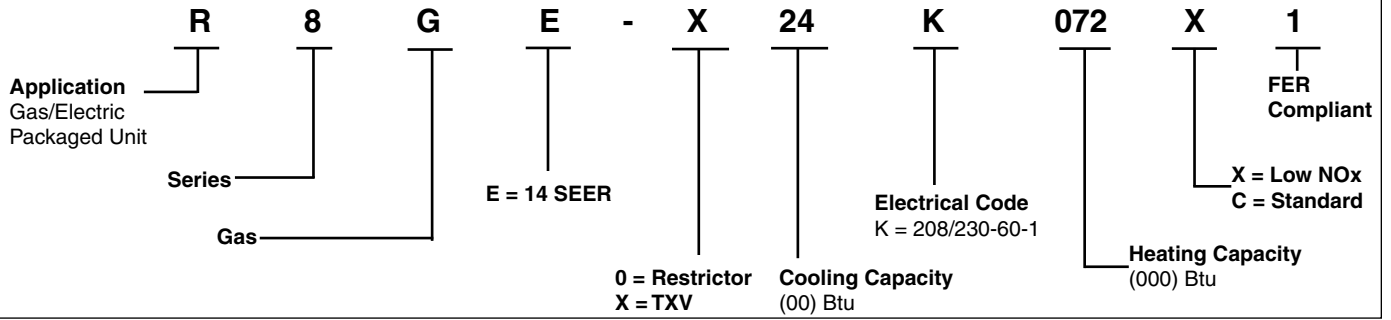
The R8GE Series single packaged gas/electric units are high efficiency self contained heating and cooling systems that can be installed on the roof or on a slab. The convertible unit design makes installations simple in all applications. Units are ETL and ETLc listed.



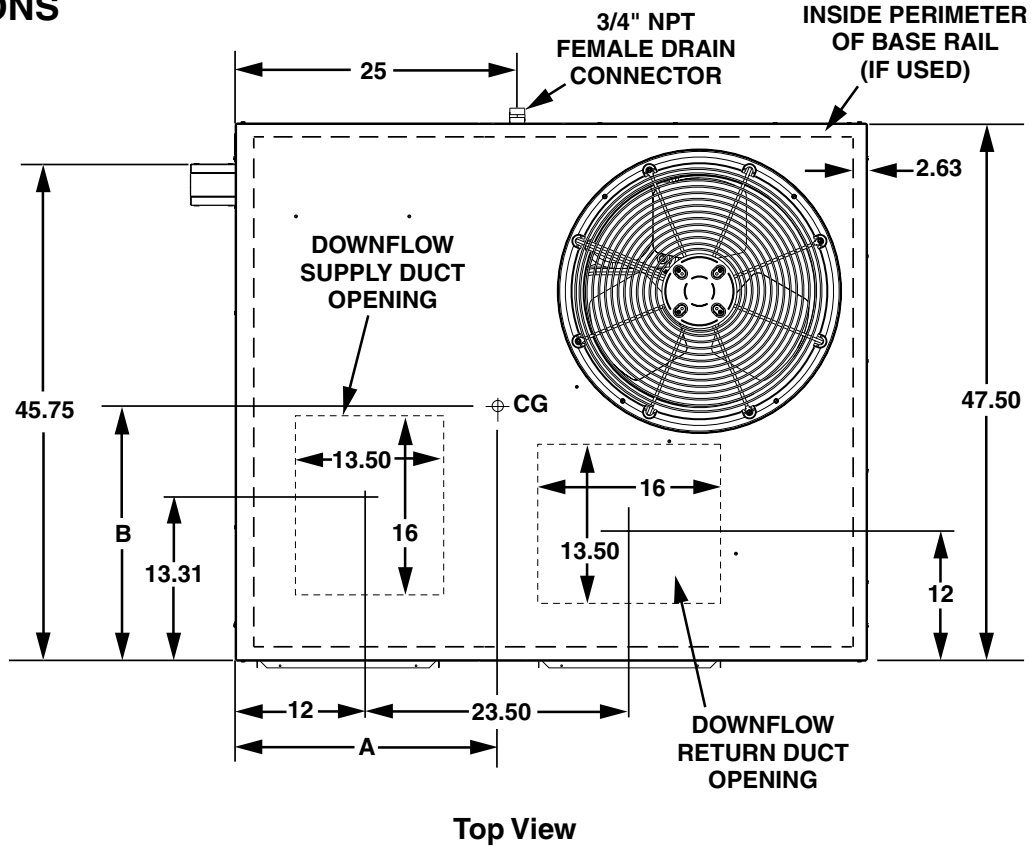
FEATURES and BENEFITS

- **Quality Compressor:** State of the art Copeland Scroll compressor is standard equipment.
- **Proven, Industry Standard Components:** Easier service and availability.
- **High and Low Pressure Switch:** Added compressor protection.
- **Aluminum Coils:** Both indoor and outdoor all aluminum coils are designed to optimize heat transfer, minimize size and cost, and increase durability and reliability.
- **Liquid Line Filter Drier:** Factory installed at a convenient location for service.
- **Externally Accessible Service Ports:** Quick access to refrigerant system without disrupting operation.
- **Compact Footprint/Low Profile:** Easy to handle and transport.
- **Heavy-Gauge Full Perimeter Base Rails:** Facilitates forklift handling and curb mounting.
- **ECM Blower Motor:** Constant torque in all models.
- **Convertible Air Delivery:** Horizontal or downflow to accommodate rooftop or horizontal application.
- **Galvanized Steel Cabinet:** Polyurethane finish provides 950 hour salt spray protection to resist corrosion.
- **Wire Guard Coated with Earth Friendly Epoxy and Mesh Hail Guard:** Will never rust and protect the coil from being damaged by balls, lawnmowers, hail etc.
- **Access to Controls and Major Components:** Easy in and out service.
- **Low Voltage Transformer:** Includes 3 Amp fuse to protect low voltage circuit.
- **Corrosion-Resistant Drain Pan:** Quickly drains away evaporator condensate.
- **One Piece Top for Great Fit and Finish, Total Seal:** Well designed, quality construction. Drip edge on top panels whisks away rainwater. Embossed bottom pan keeps blower component compartment dry.
- **Quiet Operation:** Low vibration fan blade combined with custom venturi condenser fan.
- **SmartLite® Control Board:** Provides extended life to igniters using hot surface ignition technology. Programmed to learn the heat-up characteristics of the igniter, then adapt the ignition time to the characteristics of the furnace so the igniter is energized appropriately.
- **Hot Surface igniter:** Innovative application of an appliance type igniter with a 20 year history of reliability.
- **Accessories:** Roof curbs and more.

MODEL IDENTIFICATION CODE



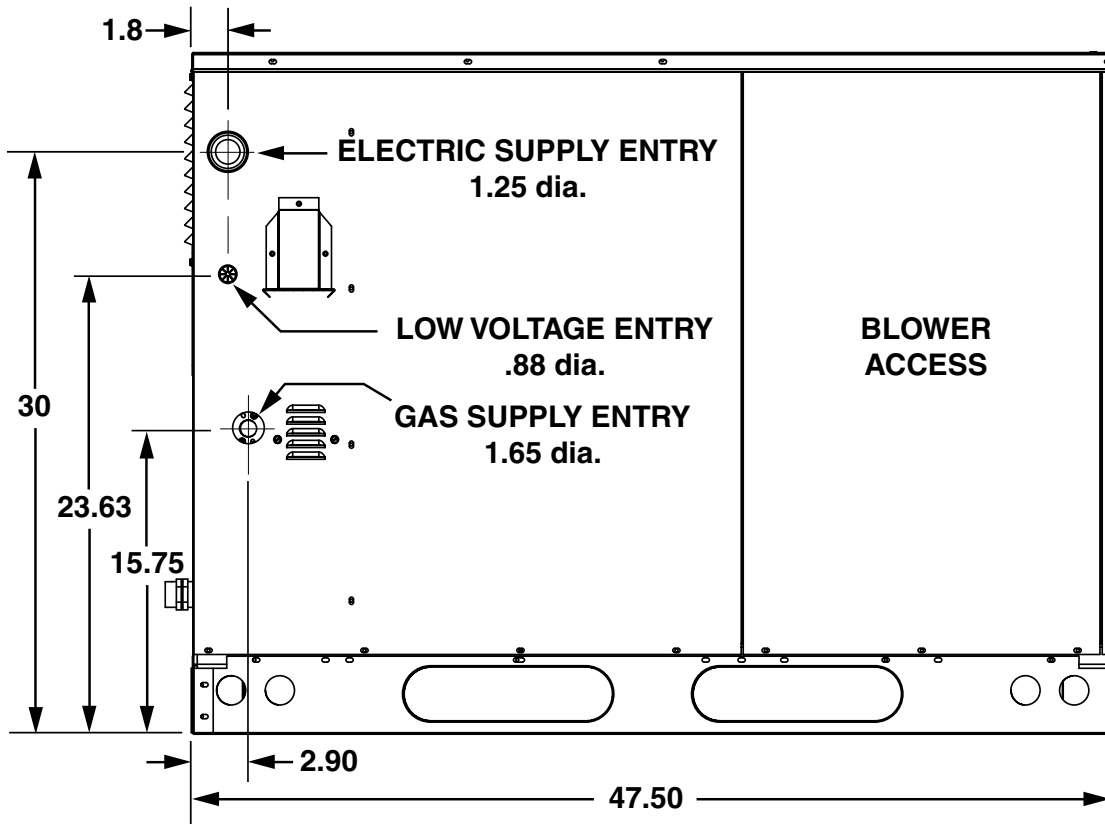
DIMENSIONS



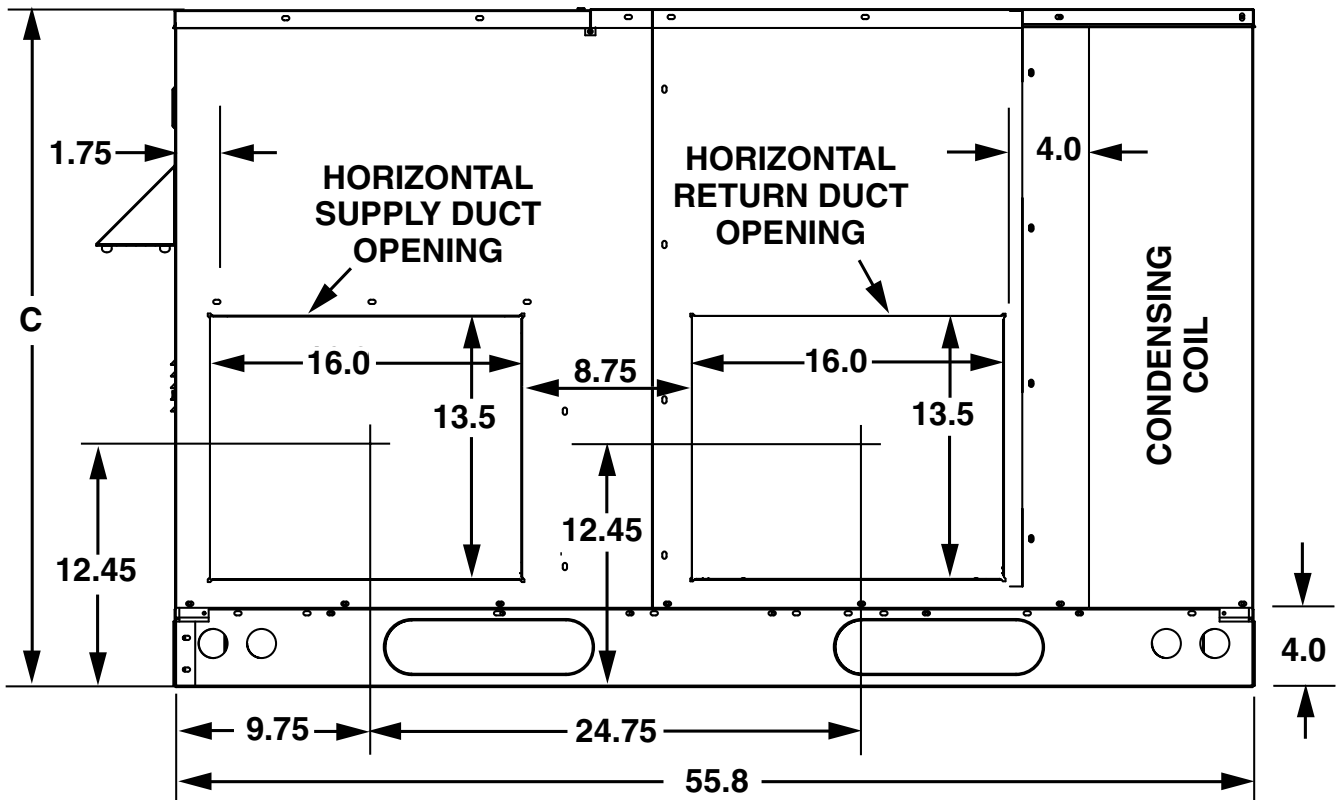
Model Number R8GE	Unit Weight	Shipping Weight	Center of Gravity		Height in inches (C)	
			A	B	with base rails	without base rails
024K045†	397	413	26.5	26.5	35.0	31.3
024K072†	405	421	26.0	26.5	35.0	31.3
030K045†	398	414	26.5	26.5	35.0	31.3
030K072†	406	422	26.0	26.5	35.0	31.3
036K072†	403	419	26.5	26.5	35.0	31.3
036K096†	411	427	26.5	26.5	35.0	31.3
042K072†	435	453	27.0	26.5	39.0	35.3
042K096†	443	461	27.0	26.5	39.0	35.3
048K096†	453	470	27.5	26.5	39.0	35.3
048K120†	461	478	27.5	26.5	39.0	35.3
X60K096†	472	489	27.5	26.5	43.0	39.3
X60K120†	480	497	27.5	26.5	43.0	39.3

† Denotes "C" or "X"

DIMENSIONS (Continued)



Side View



Back View

SPECIFICATIONS AND ELECTRICAL DATA

SINGLE PHASE

MODEL R8GE	024K*	030K	036K	042K	048K	X60K
Capacity-Cooling Btuh	23,600	29,000	35,800	41,500	46,000	57,000
Electrical Rating - 60 Hz						
Phase	1	1	1	1	1	1
Operating Voltage Range	187 - 253	187 - 253	187 - 253	187 - 253	187 - 253	187 - 253
Minimum Circuit Ampacity	20.6*	24.7	29.7	34.1	36.8	44.7
Max. Overcurrent Protection	30*	40	45	50	60	70
Compressor Data						
Volts	208 / 230	208 / 230	208 / 230	208 / 230	208 / 230	208 / 230
Rated Load Amps	12.8	15.7	18.6	22.1	24.3	29.3
Lock Rotor Amps	58.3	73	79	109	117	134
Indoor Blower						
Wheel Diameter	11 x 10	11 x 10	11 x 10	11 x 10	11 x 10	11 x 10
Motor HP	1/2	1/2	3/4	3/4	3/4	1
Motor Amps	3.6	3.6	5.0	5.0	5.0	6.5
Outdoor Fan						
Motor HP	1/5	1/4	1/4	1/4	1/4	1/4
Motor Amps	1.0	1.46	1.46	1.46	1.46	1.46
Fan Diameter	20"	20"	20"	20"	20"	24"
Refrigerant Charge (oz)	60	61	60	69	69	72
Sound Rating	71	76	78	78	77	78

*With Power Exhaust MCA = 23.6 and MOP = 35

	Heating	Heating
R8GE	Input Btu/h	Output Btu/h
024K045	45,000	36,450
024K072	72,000	58,320
030K045	45,000	36,450
030K072	72,000	58,320
036K072	72,000	58,320
036K096	96,000	77,760
042K072	72,000	58,320
042K096	96,000	77,760
048K096	96,000	77,760
048K120	120,000	97,200
X60K096	96,000	77,760
X60K120	120,000	97,200

SKU	Description
922096	R8GE-024K045C1
922097	R8GE-024K072C1
922098	R8GE-030K045C1
922099	R8GE-030K072C1
922100	R8GE-036K072C1
922101	R8GE-036K092C1
922102	R8GE-042K072C1
922103	R8GE-042K096C1
922104	R8GE-048K096C1
922105	R8GE-048K0120C1
922106	R8GE-X60K096C1
922107	R8GE-X60K120C1

AIRFLOW DATA

MODEL NUMBER	MOTOR TAP	EXTERNAL STATIC PRESSURE DROP - INCHES WATER COLUMN							
		0.1	0.2	0.3	0.4	0.5	0.6	0.7	0.8
		CFM	CFM	CFM	CFM	CFM	CFM	CFM	CFM
024K045(t)	Tap T1	949	895	839	865	708	658	602	546
	Tap T2*	949	895	839	865	708	658	602	546
	Tap T3	949	895	839	865	708	658	602	546
	Tap T4	1316	1263	1187	1128	1065	987	943	885
	Tap T5	1645	1594	1540	1470	1418	1355	1280	1213
024K072(t)	Tap T1	949	895	839	865	708	658	602	546
	Tap T2*	949	895	839	865	708	658	602	546
	Tap T3	1195	1130	1055	980	900	850	800	730
	Tap T4	1316	1263	1187	1128	1065	987	943	885
	Tap T5	1645	1594	1540	1470	1418	1355	1280	1213
030K045(t)	Tap T1	949	895	839	865	708	658	602	546
	Tap T2	949	895	839	865	708	658	602	546
	Tap T3*	1084	1026	974	925	850	790	742	694
	Tap T4	1316	1263	1187	1128	1065	987	943	885
	Tap T5	1645	1594	1540	1470	1418	1355	1280	1213
030K072(t)	Tap T1	949	895	839	865	708	658	602	546
	Tap T2	1043	959	904	824	759	701	634	577
	Tap T3*	1084	1026	974	925	850	790	742	694
	Tap T4	1316	1263	1187	1128	1065	987	943	885
	Tap T5	1645	1594	1540	1470	1418	1355	1280	1213
036K72(t)	Tap T1	1218	1031	944	868	782	710	643	583
	Tap T2	1268	1207	1138	1048	982	918	832	771
	Tap T3*	1360	1298	1235	1160	1085	1040	970	910
	Tap T4	1535	1470	1405	1345	1285	1228	1170	1110
	Tap T5	1595	1535	1474	1417	1360	1300	1240	1180
036K96(t)	Tap T1*	1360	1298	1235	1160	1085	1040	970	910
	Tap T2	1360	1298	1235	1160	1085	1040	970	910
	Tap T3	1535	1470	1405	1345	1285	1228	1170	1110
	Tap T4	1600	1538	1475	1418	1360	1300	1240	1180
	Tap T5	1785	1735	1685	1633	1580	1523	1465	1400
042K072(t)	Tap T1	1218	1031	944	868	782	710	643	583
	Tap T2	1268	1207	1138	1048	982	918	845	771
	Tap T3 *	1489	1439	1381	1319	1253	1172	1090	1019
	Tap T4	1876	1826	1777	1605	1666	1605	1544	1483
	Tap T5	1963	1912	1862	1698	1758	1698	1638	1577
042K096(t)	Tap T1	1218	1031	944	868	782	710	643	583
	Tap T2	1268	1207	1138	1048	982	918	845	771
	Tap T3 *	1489	1439	1381	1319	1253	1172	1090	1019
	Tap T4	1788	1740	1692	1511	1574	1511	1449	1389
	Tap T5	1963	1912	1862	1698	1758	1698	1638	1577
048K(t)	Tap T1	1489	1439	1381	1319	1253	1172	1090	1019
	Tap T2	1553	1495	1417	1386	1322	1265	1196	1113
	Tap T3	1788	1740	1692	1633	1574	1511	1449	1389
	Tap T4 *	1788	1740	1692	1633	1574	1511	1449	1389
	Tap T5	2015	1970	1915	1870	1805	1740	1680	1630
X60K(t)	Tap T1	1448	1383	1320	1244	1180	1094	1027	958
	Tap T2	1635	1595	1510	1485	1425	1365	1305	1245
	Tap T3	1839	1791	1699	1670	1600	1536	1469	1402
	Tap T4 *	1900	1855	1795	1750	1700	1650	1595	1535
	Tap T5	2202	2161	2104	2036	1974	1928	1872	1823

* Denotes factory set cooling speed
 Tap 1 is fan only.
 (t) Part number may contain a C or X.

AIRFLOW DATA

MODEL NUMBER	HEATING RISE RANGE (BTU/H)	MOTOR TAP	EXTERNAL STATIC PRESSURE DROP - INCHES WATER COLUMN															
			0.1		0.2		0.3		0.4		0.5		0.6		0.7		0.8	
			(CFM)	(°F) RISE	(CFM)	(°F) RISE	(CFM)	(°F) RISE	(CFM)	(°F) RISE	(CFM)	(°F) RISE	(CFM)	(°F) RISE	(CFM)	(°F) RISE	(CFM)	(°F) RISE
024K045(†)1	30-60	Tap T1	949	36	895	39	839	41	865	40	708	49	658	53	602	57	546	63
		Tap T2	949	36	895	39	839	41	865	40	708	49	658	53	602	57	546	63
		Tap T3**	1084	32	1026	34	974	36	925	37	850	41	790	44	742	47	694	50
		Tap T4																
		Tap T5																
024K072(†)1	40-70	Tap T1	949	58	895	62	839	66	865	64	708	78	658	84	602	92	546	101
		Tap T2	949	58	895	62	839	66	865	64	708	78	658	84	602	92	546	101
		Tap T3	1084	51	1026	54	974	57	925	60	850	65	790	70	742	75	694	80
		Tap T4 **	1226	45	1155	48	1101	50	1034	54	963	57	897	62	827	67	762	73
		Tap T5																
030K045(†)1	30-60	Tap T1	949	36	895	39	839	41	865	40	708	49	658	53	602	57	546	63
		Tap T2	949	36	895	39	839	41	865	40	708	49	658	53	602	57	546	63
		Tap T3**	1084	32	1026	34	974	36	925	37	850	41	790	44	742	47	694	50
		Tap T4																
		Tap T5																
030K072(†)1	40-70	Tap T1	949	58	895	62	839	66	865	64	708	78	658	84	602	92	546	101
		Tap T2	949	58	895	62	839	66	865	64	708	78	658	84	602	92	546	101
		Tap T3	1084	51	1026	54	974	57	925	60	850	65	790	70	742	75	694	80
		Tap T4 **	1226	45	1155	48	1101	50	1034	54	963	57	897	62	827	67	762	73
		Tap T5																
036K072(†)1	40-70	Tap T1	1218	45	1031	54	944	59	868	64	782	71	710	78	643	86	583	95
		Tap T2**	1268	44	1207	46	1138	49	1048	53	982	56	918	60	832	67	771	72
		Tap T3	1360	41	1298	43	1235	45	1160	48	1085	51	1040	53	970	57	910	61
		Tap T4	1535	36	1470	38	1405	39	1345	41	1285	43	1228	45	1170	47	1110	50
		Tap T5																
036K096(†)1	45-70	Tap T1	1360	54	1298	57	1235	60	1160	64	1085	68	1048	70	970	76	910	81
		Tap T2**	1360	54	1298	57	1235	60	1160	64	1085	68	1048	70	970	76	910	81
		Tap T3	1535	48	1470	50	1405	53	1345	55	1285	57	1228	60	1170	63	1110	66
		Tap T4	1600	46	1538	48	1475	50	1418	52	1360	54	1300	57	1240	59	1180	63
		Tap T5																
042K072(†)1	35-65	Tap T1	1218	45	1031	54	944	59	868	64	782	71	710	78	643	86	583	95
		Tap T2 **	1268	44	1207	46	1138	49	1048	53	982	56	918	60	845	65	771	72
		Tap T3	1489	37	1439	38	1381	40	1319	42	1253	44	1172	47	1090	51	1019	54
		Tap T4																
		Tap T5																
042K096(†)1	35-65	Tap T1	1218	61	1031	72	944	78	868	85	782	94	710	104	643	115	583	127
		Tap T2	1268	58	1207	61	1138	65	1048	70	982	75	918	80	832	89	771	96
		Tap T3	1489	50	1439	51	1381	53	1319	56	1253	59	1172	63	1090	68	1019	72
		Tap T4 **	1788	41	1740	42	1692	44	1633	45	1574	47	1511	49	1449	51	1389	53
		Tap T5	1963	38	1912	39	1862	40	1810	41	1758	42	1698	43	1638	45	1577	47

** Denotes factory set heating speed
 Tap 1 is fan only
 (†) Part number may contain a C or X.
 Data is shown without a filter
 Heat rise: Btu/h (Input) = CFM * Δ T * 1.081
 Δ T = (Btu/h * 0.83) / (CFM * 1.081)

To comply with government mandated efficiency standards, two openings are required for airflows above 1,600 CFM.
 Temperature rises in the table are approximate. Actual temperature rises may vary.
 Individual cells shaded in gray indicate a temperature rise outside the recommended range.
 To comply with government mandated efficiency standards, speed settings which do not have data are not allowed in HEAT mode.

AIRFLOW DATA CONTINUED

MODEL NUMBER	HEATING RISE RANGE (BTU/H)	MOTOR TAP	EXTERNAL STATIC PRESSURE DROP - INCHES WATER COLUMN															
			0.1		0.2		0.3		0.4		0.5		0.6		0.7		0.8	
			(CFM)	(°F) RISE	(CFM)	(°F) RISE	(CFM)	(°F) RISE	(CFM)	(°F) RISE	(CFM)	(°F) RISE	(CFM)	(°F) RISE	(CFM)	(°F) RISE	(CFM)	(°F) RISE
048K096(†)1	35-65	Tap T1	1489	50	1439	51	1381	53	1319	56	1253	59	1172	63	1090	68	1019	72
		Tap T2	1553	48	1495	49	1417	52	1386	53	1322	56	1265	58	1196	62	1113	66
		Tap T3 **	1788	41	1740	42	1692	44	1633	45	1574	47	1511	49	1449	51	1389	53
		Tap T4																
		Tap T5																
048K120(†)1	45-75	Tap T1	1489	62	1439	64	1381	67	1319	70	1253	74	1172	79	1090	85	1019	91
		Tap T2 **	1553	59	1495	62	1417	65	1386	67	1322	70	1265	73	1196	77	1113	83
		Tap T3	1788	52	1740	53	1692	55	1633	56	1574	59	1511	61	1449	64	1389	66
		Tap T4	1788	52	1740	53	1692	55	1633	56	1574	59	1511	61	1449	64	1389	66
		Tap T5																
060K096(†)1	35-65	Tap T1	1448	51	1383	53	1320	56	1244	59	1180	63	1094	67	1027	72	958	77
		Tap T2 **	1635	45	1595	46	1510	49	1485	50	1425	52	1365	54	1305	57	1245	59
		Tap T3	1839	40	1791	41	1699	43	1670	44	1600	46	1536	48	1469	50	1402	53
		Tap T4																
		Tap T5																
060K120(†)1	45-75	Tap T1	1448	64	1383	67	1320	70	1244	74	1180	78	1094	84	1027	90	958	96
		Tap T2	1635	56	1595	58	1510	61	1485	62	1425	65	1365	68	1305	71	1245	74
		Tap T3 **	1839	50	1791	51	1699	54	1670	55	1600	58	1536	60	1469	63	1402	66
		Tap T4																
		Tap T5																

** Denotes factory set heating speed
 Tap 1 is factory set fan speed
 (†) Part number may contain a C or X.
 Data is shown without a filter
 Heat rise: Btu/h (Input) = CFM * Δ T * 1.081
 Δ T = (Btu/h * 0.83) / (CFM * 1.081)

To comply with government mandated efficiency standards, two openings are required for airflows above 1,600 CFM.
 Temperature rises in the table are approximate. Actual temperature rises may vary.
 Individual cells shaded in gray indicate a temperature rise outside the recommended range.
 To comply with government mandated efficiency standards, speed settings which do not have data are not allowed in HEAT mode.

EXPANDED RATINGS Continued

R8GE-048K

CFM	O.D.T		65°F			75°F			85°F			95°F			105°F			115°F		
	E.D.B.	E.W.B.	T.C.	S.C.	K.W.	T.C.	S.C.	K.W.	T.C.	S.C.	K.W.	T.C.	S.C.	K.W.	T.C.	S.C.	K.W.	T.C.	S.C.	K.W.
1450	80	62	51.3	38.4	2.74	48.8	41.5	3.01	45.9	43	3.35	42.6	42.6	3.75	38.8	38.8	4.22	34.6	34.6	4.75
	80	67	55.1	27.3	2.79	52.7	29.0	3.06	49.9	29.1	3.39	46.6	27.6	3.79	42.9	24.5	4.26	38.7	19.8	4.79
	80	72	59.3	21.7	2.86	57.0	22.0	3.13	54.2	20.7	3.46	51.0	17.8	3.86	47.4	13.3	4.33	43.3	7.28	4.85
	75	62	50.8	30.5	2.74	48.2	32.1	3.02	45.1	32.2	3.36	41.6	30.7	3.77	37.7	27.6	4.25	33.3	22.9	4.79
1650	80	62	51.9	45.4	2.93	49.4	48.5	3.2	46.6	46.6	3.53	43.2	43.2	3.94	39.4	39.4	4.4	35.2	35.2	4.93
	80	67	55.7	34.3	2.97	53.3	36.0	3.24	50.5	36.1	3.58	46.0	34.6	3.98	43.5	31.5	4.44	39.4	26.8	4.97
	80	72	59.9	28.7	3.05	57.6	29.0	3.32	54.8	27.7	3.65	51.6	24.8	4.05	48.0	20.3	4.51	43.9	14.3	5.04
	75	62	51.4	37.5	2.92	48.8	39.1	3.2	45.8	39.2	3.55	42.3	37.7	3.96	38.3	34.6	4.43	33.9	29.9	4.97
1850	80	62	50.7	50.7	3.23	48.3	48.3	3.51	45.4	45.4	3.84	42.1	42.1	4.24	38.3	38.3	4.71	34.1	34.1	5.24
	80	67	54.6	41.3	3.28	52.2	43.0	3.55	49.4	43.1	3.89	46.1	41.6	4.29	42.4	38.5	4.75	38.2	33.8	5.28
	80	72	58.8	35.7	3.35	56.4	36.0	3.62	53.7	34.7	3.96	50.5	31.8	4.36	46.8	27.3	4.82	42.8	21.3	5.35
	75	62	50.3	44.5	3.23	47.7	46.1	3.51	44.6	44.6	3.86	41.1	41.1	4.27	37.2	37.2	4.74	32.8	32.8	5.28

R8GE-060K

CFM	O.D.T		65°F			75°F			85°F			95°F			105°F			115°F		
	E.D.B.	E.W.B.	T.C.	S.C.	K.W.	T.C.	S.C.	K.W.	T.C.	S.C.	K.W.	T.C.	S.C.	K.W.	T.C.	S.C.	K.W.	T.C.	S.C.	K.W.
1500	80	62	60.7	49.0	3.44	58.4	47.3	3.8	55.5	45.5	4.24	52.1	43.6	4.77	48.1	41.5	5.38	43.4	39.4	6.08
	80	67	67.7	44.1	3.55	64.9	42.5	3.91	61.6	40.7	4.36	57.7	38.9	4.89	53.2	36.9	5.51	48.2	34.7	6.21
	80	72	73.0	34.9	3.54	69.8	33.3	3.91	66.0	31.6	4.36	61.6	29.8	4.89	56.7	27.8	5.51	51.2	25.7	6.21
	75	62	60.4	37.8	3.15	57.8	37.0	3.57	54.7	36.0	4.08	51.0	34.9	4.67	46.7	33.7	5.34	41.9	32.3	6.09
1700	80	62	60.7	49.3	3.52	58.4	47.7	3.89	55.5	45.9	4.33	52.0	43.9	4.86	48.0	41.9	5.47	43.4	39.7	6.17
	80	67	67.6	44.4	3.64	64.9	42.8	4.0	61.6	41.1	4.45	57.0	39.2	4.98	53.2	37.2	5.6	48.1	35.0	6.3
	80	72	72.9	35.2	3.63	69.7	33.6	4.0	65.9	31.9	4.45	61.6	30.1	4.98	56.6	28.2	5.6	51.1	26.1	6.3
	75	62	60.4	38.2	3.24	57.8	37.3	3.66	54.7	36.4	4.17	51.0	35.2	4.75	46.7	34.0	5.43	41.8	32.7	6.18
1900	80	62	63.4	51.1	3.68	61.0	49.4	4.04	58.2	47.6	4.48	54.7	45.7	5.01	50.7	43.6	5.62	46.1	41.4	6.32
	80	67	70.3	46.2	3.79	67.6	44.5	4.15	64.2	42.8	4.6	60.3	40.9	5.13	55.8	38.9	5.75	50.8	36.8	6.45
	80	72	75.6	36.9	3.78	72.4	35.4	4.15	68.6	33.7	4.6	64.2	31.8	5.13	59.3	29.9	5.75	53.8	27.8	6.45
	75	62	63	39.9	3.39	60.5	39.1	3.81	57.3	38.1	4.32	53.6	37.0	4.9	49.3	35.8	5.58	44.5	34.4	6.33

R8GE ACCESSORIES

Description	Part Number
Roof Curb (8")	547830A
Roof Curb (14")	547831A
Roof Curb (18")	547850A
Roof Curb (24")	547851A
Cap, Duct Adapter, 12" Round	913811A
Cap, Duct Adapter, 14" Round	913812A
Supply/return transition, 16"	547834
Supply/return transition, 18"	547835
Concentric diffuser, flush, 16"	547836
Concentric diffuser, flush, 18"	547837
Concentric diffuser, step down 16"	547838
Concentric diffuser, step down 18"	547839
Manual Fresh Air Damper	547832
Motorized Fresh Air Damper	547840
Economizer, Downflow, Modulating w/filter (does not require filter kit) CA, title 24, 2 - 3 Ton	562533
Economizer, Downflow, Modulating w/filter (does not require filter kit) CA, title 24, 3.5 - 5 Ton	563209
Economizer, Horizontal, Modulating, CA, title 24, 2 - 5 Ton	562534
CO2 Sensor Kit, Wall Mount	1011411
CO2 Sensor Kit, Duct Mount	1011410
Differential Enthalpy Kit	1011701
Power Exhaust, Downflow (application requires downflow economizer) (Special Order)	547842
Power Exhaust, Horizontal (application requires horizontal economizer) (Special Order)	547843
Filter Rack Kit (not required with downflow economizer) 2 - 3 Ton (requires 2-16X25X1)	10079911R
Filter Rack Kit (not required with downflow economizer) 3.5 - 4 Ton (requires 2-18X25X1)	10079912R
Filter Rack Kit (not required with downflow economizer) 5 Ton (requires 2-14X25X1,1-12X20X1)	10079913R
Hood Type Hail Guard, Coil Dim. 30" X 76" 2, 2.5, 3 Ton	547845
Hood Type Hail Guard, Coil Dim. 34" X 76" 3.5 - 4 Ton	547846
Hood Type Hail Guard, Coil Dim. 38" X 76" 5 Ton	547847
Duct Smoke Detector Photo Elec	558863
Multi Signal Control	558866
Sampling Tube DST3, 2-4ft	558864
Sampling Tube DST5, 4-8ft	558865
Low Ambient Kit	918837
U.S. - LP Gas/High Elevation Conversion Kit, 1 & 2 Stage models (0 - 10,000 ft. above sea level)	904404A
Canada - LP Gas/High Elevation Conversion Kit, 1 & 2 Stage models (0 - 4,500 ft. above sea level)	904405A
Universal Hard Start Kit	912933
Skirt Trim Kit	919729



GENERAL TERMS OF LIMITED WARRANTY

Nortek Global HVAC, LLC will furnish a replacement for any part of this product which fails in normal use and service within the terms and conditions of the warranty.

For complete details of the Limited Warranty, including applicable terms and conditions, see your local installer or contact the Nortek Global HVAC, LLC warranty department for a copy.

Before purchasing this appliance, read important energy cost and efficiency information available from your retailer. Specifications and illustrations subject to change without notice and without incurring obligations. Printed in U.S.A (05/2021)