

# QUICK REFERENCE DATA

## \*SH1BG4CVRX SERIES RESIDENTIAL SPLIT SYSTEM HEAT PUMP

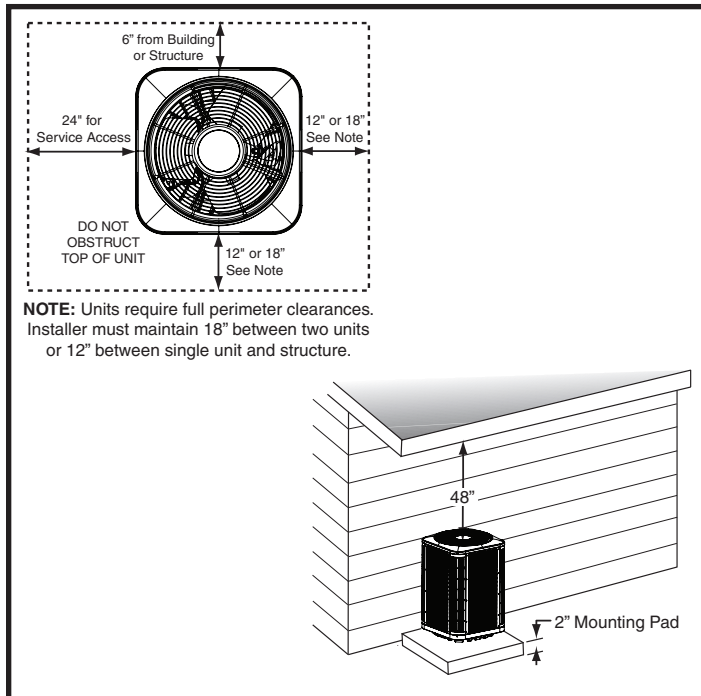
MODEL NUMBER: *SH1BG4CVRX		24K	36K	48K	60K	
<b>ELECTRICAL DATA</b>	Volts-Cycles-Phase <sup>(1)</sup>	208/230-60-1				
	Total Amps	13.1	17.5	23.5	31.2	
	Delay Fuse Max. <sup>(2)</sup>	25	35	45	60	
	Min. Circuit Ampacity	15.8	21.2	28.7	38	
Field Control Wiring Connections (24 vac from thermostat/indoor side)		R, C, Y1, Y2, O, W2, (L)				
<b>CONDENSER DATA</b>	Coil	Area (ft <sup>2</sup> )	20.3	22.8	22.8	25.3
		Rows - FPI	1-18	1-20	2-16	2-16
		Tube Dia.	3/8" OD	3/8" OD	3/8" OD	3/8" OD
	Fan Motor	Type	Brushless DC			
		Amps	2.6	2.6	2.6	3.8
		HP	1/3	1/3	1/3	1/2
	Compressor Data	RLA	10.5	14.9	20.9	27.4
		LRA	N/A	N/A	N/A	N/A
Service Valves	Liquid Side	3/8"	3/8"	3/8"	3/8"	
	Vapor Side	3/4"	7/8"	7/8"	7/8"	
<b>Recommended Refrigerant suction line O.D.*</b> <b>NOTE:</b> Liquid line is 3/8" O.D. for entire length.		0 - 24 ft. equiv.	3/4"	7/8"	7/8"	7/8"
		25 - 39 ft. equiv.	3/4"	7/8"	1-1/8"	1-1/8"
		40 - 75 ft. equiv.	7/8"	1-1/8"	1-1/8"	1-1/8"
		75 - 100 ft. equiv.	1-1/8"	1-1/8"	1-1/8"	1-1/8"
<b>Refrigerant charge:</b> (R-410A) in ounces for outdoor unit, indoor unit and 15' line set. (3)		188	184	282	282	
<b>Weight Approximate (lbs.)</b>		As shipped	202	233	268	292
		Net	226	257	293	317

- (1) Operating Voltage Range: 187v min. — 253v max.
- (2) HACR Type Circuit Breakers may be used.
- (3) Additional charge required for line sets above 15 feet. Values based on vapor line as follows with 3/8" liquid line.
  - (a) 3/4" = 0.6 oz. per additional foot.
  - (b) 7/8" = 0.7 oz. per additional foot.
  - (c) 1 1/8" = 0.8 oz. per additional foot.

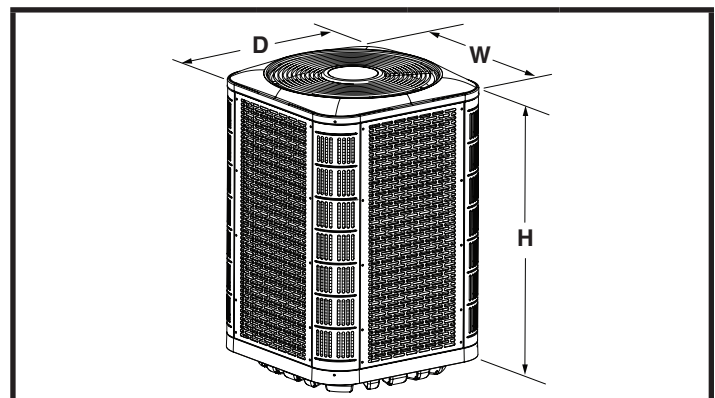
**Table 1. Electrical Specifications & Physical Data**

WIRE GAUGE	RECOMMENDED MAXIMUM WIRE LENGTH (FT) FROM UNIT TO THERMOSTAT
22	45
20	70
18	115
16	180

**Table 2. Control Wiring (24V)**



**Figure 1. Clearance Requirements**



MODEL NUMBER	HEIGHT (H)	WIDTH (W)	DEPTH (D)
*SH1BG4CVRX24K	37 1/4"	31 3/4"	31 3/4"
*SH1BG4CVRX36K	41 1/4"	31 3/4"	31 3/4"
*SH1BG4CVRX48K	41 1/4"	31 3/4"	31 3/4"
*SH1BG4CVRX60K	45 1/4"	31 3/4"	31 3/4"

**Table 3. Unit Dimensions**

**Instructions:**

1. Find the column for the model of outdoor unit that is being installed.
2. Find the row for the model of the indoor unit that is being installed.
3. Find the cell in the table in which this row and column meet. In this cell the appropriate orifice / TXV and charge addition for this match are listed. If the text in this cell is BOLD, then a change of orifice is necessary.
4. If a change in restrictor is necessary, then the appropriate restrictor will already be supplied with the outdoor unit.

**Examples:**

- For the \*SH1BG4CVRX24K / B6VMAX24K-B match, the correct TXV is the 669564 and no additional charge needs to be added (NO CHANGES NECESSARY).
- For the SH1BG4CVRX48K / C6BA-F60(C,U)-C + TXV match, the correct TXV is the 920672A and no additional charge needs to be added (TXV Kit).

MODEL NUMBER: *SH1BG4CVRX		24K	36K	48K	60K
OUTDOOR UNIT FACTORY CHARGE (OZ.):		188	184	282	282
MODELS	INDOOR COIL TXV (AS-BUILT)	REQUIRED INDOOR TXV OR TXV KIT CHARGE ADDITION (OZ) / RATED CFM <sup>(4)</sup>			
<b>B6VM</b>					
B6VMAX24K-B	669564	669564 (0 / 800)	--	--	--
B6VMAX36K-B	669566	--	669566 (0 / 1200)	--	--
B6VMAX48K-C	669568	--	--	669568 (0 / 1350)	--
B6VMAX60K-C	669578	--	--	--	669578 (0 / 1500)
<b>C6BH</b>					
C6BH-X26(C,U)-B	669681	669681 (0 / 820)	--	--	--
C6BH-X36(C,U)-B	669683	--	669683 (0 / 1240)	--	--
C6BH-X36(C,U)-C	669683	--	669683 (0 / 1220)	--	--
C6BH-X48(C,U)-C	669852	--	--	669852 (0 / 1350)	--
C6BH-X60(C,U)-C	669686	--	--	--	669686 (0 / 1545)
C6BH-X60(C,U)-D	669686	--	--	--	669686 (0 / 1520)
<b>C6BA-F</b>					
C6BA-F42(C,U)-B+TXV	--	<b>920668A</b> (0 / 820)	<b>920670A</b> (0 / 1240)	--	--
C6BA-F48(C,U)-C+TXV	--	--	<b>920670A</b> (0 / 1220)	--	--
C6BA-F60(C,U)-C+TXV	--	--	--	<b>920672A</b> (0 / 1350)	<b>920673A</b> (0 / 1545)
C6BA-F60(C,U)-D+TXV	--	--	--	--	<b>920673A</b> (0 / 1520)

**NOTES:**

<sup>(4)</sup> Charge addition is for coil change only. For line sets longer than 15 feet see Installation Instructions. CFM refers to blower flow at rating point. Refer to indoor unit air flow setting information in the Installation Instructions for that unit.

**Table 4. TXV / Charge Addition (Oz)**

THE CHARGE ADDITIONS PROVIDED IN THIS DOCUMENT ARE ESTIMATES BASED ON TEST DATA AND SHOULD ONLY BE A STARTING POINT. AFTER FOLLOWING THESE DIRECTIONS PLEASE ADJUST THE REFRIGERANT AMOUNT BASED ON THE APPROPRIATE CHARGING TABLES OR CHARTS IN THE INSTALLATION INSTRUCTIONS OR CHARGING LABEL.

