

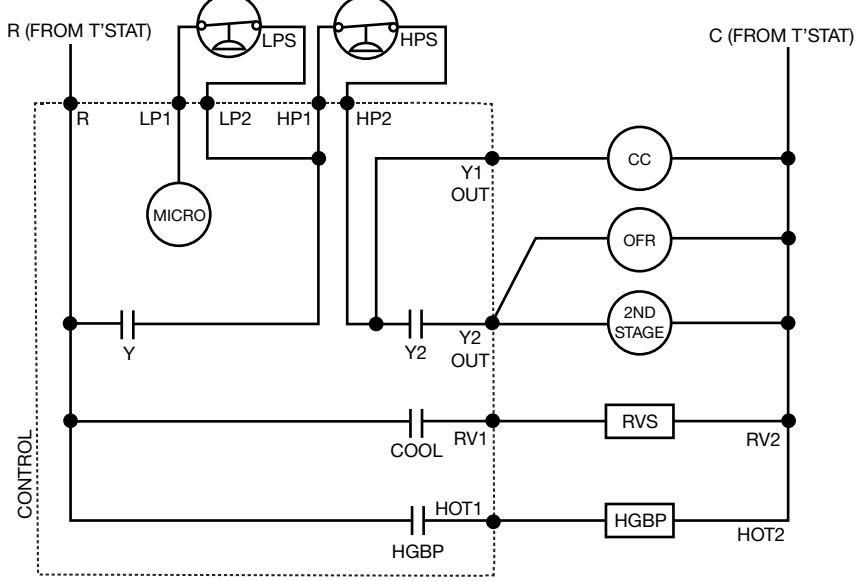
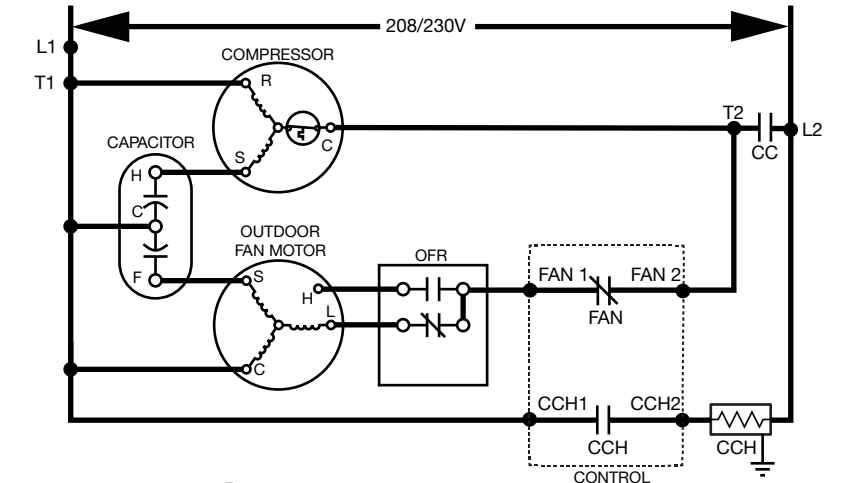
# WIRING DIAGRAM

208/230V Single Phase / 60 Hz.

## Two Stage Split System Heat Pump (Outdoor Section) With PSC Fan Motor

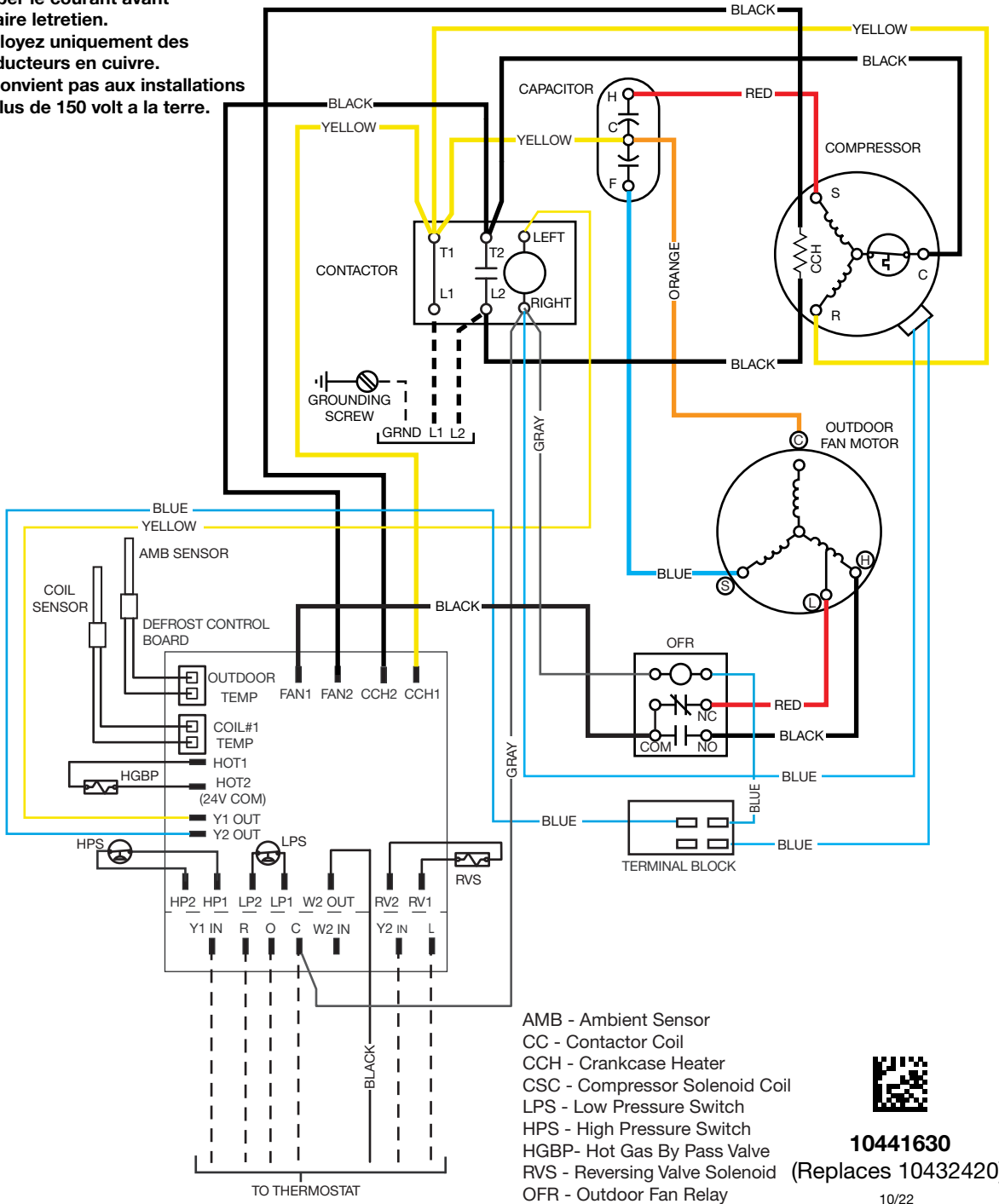
- NOTES:**
1. Disconnect all power before servicing.
  2. For supply connections use copper conductors only.
  3. Not suitable on systems that exceed 150 volts to ground.
  4. For replacement wires use conductors suitable for 105 °C
  5. For ampacities and overcurrent protection, see unit rating plate.
  6. Connect to 24 vac/40va/class 2 circuit. See furnace/airhandler installation instructions for control circuit and optional relay/transformer kits.
  7. Caution: The Low Voltage wiring shall NOT be grounded to this unit.

1. Couper le courant avant de faire letretien.
2. Employez uniquement des conducteurs en cuivre.
3. Ne convient pas aux installations de plus de 150 volt a la terre.



**LEGEND:**

FIELD WIRING	---
LOW VOLTAGE	—
HIGH VOLTAGE	—



- AMB - Ambient Sensor
- CC - Contactor Coil
- CCH - Crankcase Heater
- CSC - Compressor Solenoid Coil
- LPS - Low Pressure Switch
- HPS - High Pressure Switch
- HGBP- Hot Gas By Pass Valve
- RVS - Reversing Valve Solenoid
- OFR - Outdoor Fan Relay

10441630 (Replaces 10432420)

