

# INSTALLATION INSTRUCTIONS

## iQ Drive Split System Air Conditioner

The iQ Drive® split system air conditioner operates as part of a larger system which can provide temperature, air flow, and humidity control for a residence or other similarly sized building. This system includes this outdoor unit and a compatible indoor unit, typically a gas furnace or an air handler with electric strip heat. Accessory equipment which may be used with the system includes humidifiers, electric or electronic air cleaners, and U/V (ultraviolet) sterilizing lamps.

Refer to the System Operation section within this document for a description of how the air conditioner operates. In addition, information for troubleshooting and diagnosing problems is included.

<b>IMPORTANT SAFETY INFORMATION .....</b>	<b>2</b>
<b>PREPARATION .....</b>	<b>3</b>
Slab Mounting.....	3
Roof Mounting .....	3
<b>ELECTRICAL CONNECTIONS .....</b>	<b>4</b>
Electrical Power Wiring.....	4
Control Circuit Wiring.....	4
<b>REFRIGERANT LINE CONNECTIONS.....</b>	<b>4</b>
Line Design and Routing .....	4
Brazing.....	5
System Evacuation .....	5
Refrigerant Charging .....	5
Charging Operation .....	6
Alternate Procedure for Charging the Air Conditioner in Cooling Mode.....	6
<b>SYSTEM OPERATION.....</b>	<b>6</b>
Thermostat.....	6
Blower Flow Rates .....	6
Start-Up Sequence .....	6
Run Sequence .....	6
Diagnostic Display .....	7
Short Cycle Timer Override.....	7
Low Temperature Lockouts .....	7
Other Speed Overrides.....	7
Instrumentation .....	7
<b>TROUBLESHOOTING .....</b>	<b>8</b>
Inverter Circuit Board LEDs.....	8
No Control Board Display .....	9
Troubleshooting Individual Fault Codes (when active).....	9
<b>AIR CONDITIONER MAINTENANCE.....</b>	<b>10</b>
Panel Removal.....	10
Panel Installation .....	10
<b>FIGURES &amp; CHARTS .....</b>	<b>12</b>
Figure 4. Air Conditioner Control Panel (Cover Removed)	12
Figure 5. Power Wiring Terminals .....	13
Figure 7. Service Valves .....	13
Figure 6. Low Voltage Compartment for Control Wiring.....	13
Figure 8. Charging Chart .....	14
Figure 9. Interface Board in Control Panel.....	14
Figure 10. Wiring Diagram (2, 3 & 4 Ton Models).....	15
Figure 11. Wiring Diagram (5 Ton Models) .....	16
Figure 12. Temperature Sensor Resistance Charts.....	17
<b>INSTALLATION CHECK LIST .....</b>	<b>20</b>

## IMPORTANT

### ATTENTION INSTALLERS:

**It is your responsibility to know this product better than your customer. This includes being able to install the product according to strict safety guidelines and instructing the customer on how to operate and maintain the equipment for the life of the product. Safety should always be the deciding factor when installing this product and using common sense plays an important role as well. Pay attention to all safety warnings and any other special notes highlighted in the manual. Improper installation of the unit or failure to follow safety warnings could result in serious injury, death, or property damage.**

**These instructions are primarily intended to assist qualified individuals experienced in the proper installation of this appliance. Some local codes require licensed installation/service personnel for this type of equipment. Please read all instructions carefully before starting the installation. Return these instructions to the customer's package for future reference.**

**DO NOT DESTROY. PLEASE READ CAREFULLY AND KEEP IN A SAFE PLACE FOR FUTURE REFERENCE.**

### OTHER REFERENCE DOCUMENTS

- Installation instruction documents for indoor equipment (furnace or air handler, optional humidifier, etc.)
- local wiring and building codes
- Application Guideline for Refrigerant Lines Over 75 Feet, document 044B-0600
- Operation/configuration manual for two-stage thermostat (existing or newly installed)

## IMPORTANT SAFETY INFORMATION

INSTALLER: Please read all instructions before servicing this equipment. Pay attention to all safety warnings and any other special notes highlighted in the manual. Safety markings are used frequently throughout this manual to designate a degree or level of seriousness and should not be ignored. **WARNING** indicates a potentially hazardous situation that if not avoided, could result in personal injury or death. **CAUTION** indicates a potentially hazardous situation that if not avoided, may result in minor or moderate injury or property damage.

### **WARNING:**

#### **ELECTRICAL SHOCK HAZARD**

Failure to follow safety warnings exactly could result in serious injury or property damage.

Improper servicing could result in dangerous operation, serious injury, death or property damage.

- Before servicing, disconnect all electrical power to the unit.
- When servicing controls, label all wires prior to disconnecting. Reconnect wires correctly.
- Verify proper operation after servicing.

### **WARNING:**

iQ Drive split system air conditioners are shipped charged with R410A refrigerant and ready for installation. When system is installed according to these instructions, additional refrigerant charging may or may not be required. If repairs make it necessary for evacuation and charging, it should only be attempted by qualified trained personnel thoroughly familiar with this equipment. Under no circumstances should the owner attempt to install and/or service this equipment. Failure to comply with this warning could result in property damage, personal injury, or death.

### **CAUTION:**

This unit uses refrigerant R-410A. **DO NOT** use any other refrigerant in this unit. Use of another refrigerant will damage the unit.

### **WARNING:**

Unless noted otherwise in these instructions, only factory authorized parts or accessory kits may be used with this product. Improper installation, service, adjustment, or maintenance may cause electrical shock or other hazardous conditions which may result in personal injury or property damage.

### **WARNING:**

The information listed below and the next page must be followed during the installation, service, and operation of this equipment. Failure to follow safety recommendations could result in possible damage to the equipment, serious personal injury or death.

- The installer must comply with all local codes and regulations which govern the installation of this type of equipment. Local codes and regulations take precedence over any recommendations contained in these instructions. Consult local building codes and the National Electrical Code (ANSI CI) for special installation requirements.
- All electrical wiring must be completed in accordance with local, state and national codes and regulations and with the National Electric Code (ANSI/NFPA 70) or in Canada the Canadian Electric Code Part 1 CSA C.22.1.
- This equipment contains liquid and gaseous refrigerant under high pressure. **DO NOT USE ANY PORTION OF THE CHARGE FOR PURGING OR LEAK TESTING.** Installation or servicing should only be performed by qualified trained personnel thoroughly familiar with this type equipment.
- Installation of equipment may require brazing operations. Installer must comply with safety codes and wear appropriate safety equipment (safety glasses, work gloves, fire extinguisher, etc.) when performing brazing operations.
- Follow all precautions in the literature, on tags, and on labels provided with the equipment. Read and thoroughly understand the instructions provided with the equipment prior to performing the installation and operational checkout of the equipment.
- Use caution when handling this appliance or removing components. Personal injury can occur from sharp metal edges present in all sheet metal constructed equipment.
- Fully annealed, refrigerant grade copper tubing should be used when installing the system. Refrigerant suction line tubing should be fully insulated.
- This unit is designed for outdoor installations only and should be positioned as described on [page 3](#).

## PREPARATION

Before proceeding with installation of iQ air conditioning equipment, consult with the distributor and homeowner to confirm that the equipment listed on the order is what was ordered, and that it matches labeling on the equipment packaging.

Determine (including consultation with the homeowner) the intended/preferred location for placement of the compressor/outdoor coil unit. Unit envelope dimensions are shown in [Figure 1](#).

This air conditioner is designed for outdoor installation only. Unit placement must take into consideration the following clearances:

- A minimum of 12 inches must be provided between each of the four sides and any solid barrier or wall which might block free inlet air flow into the coil. A minimum clearance of 18 inches is required between multiple units.
- The corner of the unit covered by the control access cover must be clear enough to allow comfortable access by a service person.
- The top of the unit must be open and unobstructed to prevent recirculation of outdoor fan discharge air, particularly for air conditioning usage. A minimum distance of 4 feet overhead clearance is recommended. Do not locate the unit in a pit with high walls on all sides.

Locate the unit away from overhangs which would allow water runoff or ice to fall directly onto the air conditioner. In low temperature climates, place the unit where it is not directly in prevailing winds. Avoid placing the air conditioner near sleeping quarters or windows.

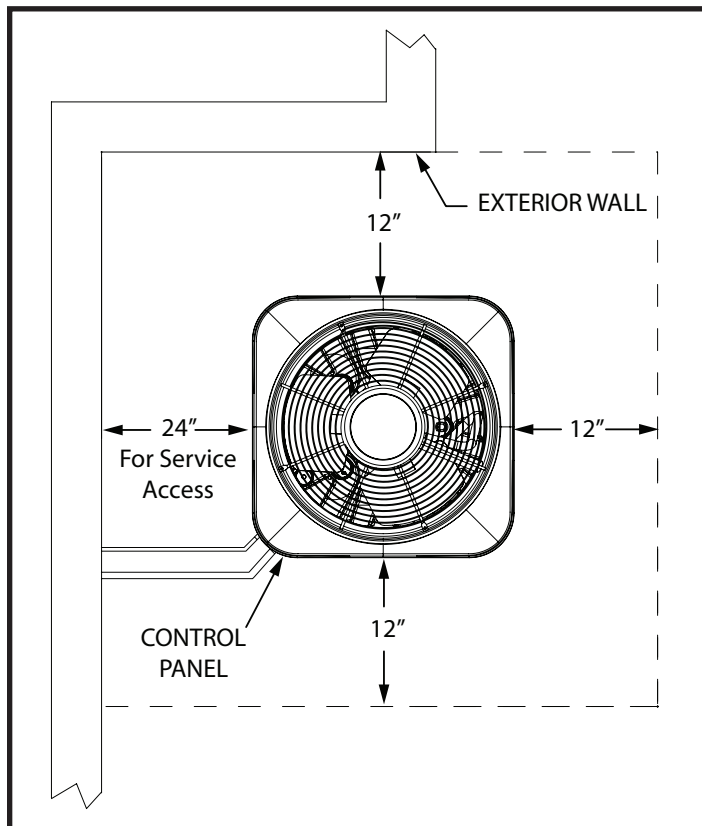


Figure 1. Unit Envelope Dimensions

## Slab Mounting

- The preferred unit mounting is on an outdoor slab (concrete or plastic), on the ground, in an area with good drainage unlikely to be affected by heavy runoff, ground settling, or deep snowdrift accumulation.
- The support slab should be level. Make sure that the drain holes in the bottom of the unit are not obstructed.

## Roof Mounting

The method used for roof mounting should be designed so as not to overload roof structures nor transmit noise to the interior of the structure. Refrigerant and electrical lines should be routed through suitably waterproofed openings to prevent leaking into the structure. Make sure that the roof structure can adequately support the weight of the equipment. Consult local building codes for rooftop installations.

After a location has tentatively been selected, trace routing of new (or pre-existing) refrigerant lines (two), and power and control wiring. See further discussion below.

- Maximum recommended length for refrigerant lines: 100 ft.
- Maximum elevation difference, compressor base to indoor coil base (compressor higher or lower): 50 feet. **NOTE:** An oil trap is required for elevations exceeding 50 feet.
- Refrigerant lines should NOT be buried (in concrete or otherwise).
- Refer to the Application Guideline for Refrigerant Lines Over 75 Feet document 044B-0600, for piping details.

Once the above information has been confirmed and potential questions regarding location, refrigerant line routing, and wire routing have been resolved, proceed with unpacking the equipment. It is strongly recommended that inspection of the hardware be performed prior to bringing it to the installation site. Inspect for cosmetic as well as functional damage (such as obvious holes or gaps in tubes and joints, cut or pinched wires or wire insulation).

Verify that the iQ Drive<sup>®</sup> air conditioner unit package includes the following:

- Coil/compressor/control unit.
- Packet containing installation instructions and one filter-drier.

## ELECTRICAL CONNECTIONS

### **WARNING:**

#### **ELECTRICAL SHOCK HAZARD**

**Failure to follow safety warnings exactly could result in serious injury or property damage.**

**Improper servicing could result in dangerous operation, serious injury, death or property damage.**

- **Before servicing, disconnect all electrical power to the unit.**
- **When servicing controls, label all wires prior to disconnecting. Reconnect wires correctly.**
- **Verify proper operation after servicing.**

### Electrical Power Wiring

Electrical power wiring shall comply with the current provisions of the National Electrical Code (ANSI/NFPA 70) as supplemented by applicable local building codes. The installer should become familiar with the wiring diagram before making electrical connections to the outdoor unit. An equipment wiring diagram is included in this instruction (Figure 10 (page 15) & Figure 11 (page 16) and inside the unit control panel cover. Refer to the unit rating label located on the exterior of the control box cover for operating voltage, minimum circuit ampacity, and maximum fuse size. See Table 1 for wire sizing.

- Electrical connections to the air conditioner are made at the bottom of the control panel compartment. Remove the control panel cover to gain access to this compartment. Figure 4 (page 12) shows a typical control panel compartment.
- A properly sized branch circuit and disconnect switch must be installed where it is easily accessible and within line of sight of the outdoor unit.
- Remove the control panel cover. Route the power and ground wires (3 wires, including earth ground) from the disconnect box to the unit. Use of outdoor shielded conduit (metal lined Sealtite®) is required. The electrical conduit opening is located on the right side of the panel forming the bottom of the control compartment. See Figure 4.
- Connect the power wires to **L1** and **L2** box lugs of the contactor, and the ground wire to the grounding lug located to the right of the contactor. Refer to Figure 4 and Figure 5 (page 13). Only copper wires should be used.
- Replace the control panel cover before applying power.

### Control Circuit Wiring

The air conditioner is designed to operate with a 24 vac Class II control circuit. Control circuit wiring must comply with the latest version of the National Electrical Code (ANSI/NFPA 70) as supplemented by local building codes.

In general, 24 vac control power wiring must be run to interconnect the two-stage thermostat, the indoor unit, and the outdoor unit. The source of the 24 vac is located within the indoor unit (air handler or furnace). The **C** side of this power source may be grounded or ungrounded, typically determined by the indoor equipment electrical design.

Four control wires must be run to the air conditioner's control panel: **R** and **C** will originate from the indoor unit (furnace or air handler). **Y1** and **Y2** will originate at the thermostat.

Pass each field-run control wire into the hole in the lower left side of the base of the air conditioner's control panel compartment. Refer to Figure 4 and Figure 6 (page 13). Connect each of the field-run wires to its corresponding factory wired lead (with stripped ends) using a wire nut or other solderless connector within the low voltage compartment. See Table 2 below.

COPPER WIRE SIZE - AWG (1% VOLTAGE DROP)				
SUPPLY CIRCUIT AMPACITY	SUPPLY WIRE LENGTH - FT			
	UP TO 50	51 - 100	101 - 150	151 - 200
15	14	10	8	6
20	12	8	6	4
25	10	8	6	4
30	10	6	4	4
35	8	6	4	3
40	8	6	4	3
45	6	4	3	2
50	6	4	3	2

Wire Sized based on N.E.C. for 60°C type copper conductors

**Table 1. Copper Wire Ampacity Tables**

WIRE COLOR (OUTDOOR UNIT)	ID	FUNCTION	INDOOR CONNECTION
RED	<b>R</b>	24VAC	Furnace or Air Handler
BLK	<b>C</b>	24 VAC common or ground	
YEL	<b>Y1</b>	1st Stage call	Thermostat
BLU	<b>Y2</b>	2nd Stage call	

**Table 2. 24 Volt Control Wiring**

## REFRIGERANT LINE CONNECTIONS

### Line Design and Routing

Refrigerant lines must be connected by a licensed EPA certified technician following sound established installation practice. Once the air conditioner location has been determined and the unit set in place the refrigerant lines should be routed and connected.

- Refrigerant lines should follow a direct path from the indoor coil to the outdoor unit avoiding sharp bends. When lines pass through walls, make sure to properly seal and support them so that vibration is not transmitted to the structure.
- Refrigerant tubing should be supported in a manner which assures that the tubing will not vibrate or wear as a result of contact with sharp materials or edges during system operation.
- Lines must be clean refrigeration-grade copper.
- Avoid removing caps and plugs from air conditioner valves or lines until they are ready to be connected.
- Insulate the vapor line with refrigerant line insulation wall thickness ¼" or greater.

Proper system performance and oil management depend on properly selecting the liquid and vapor line sizes. Refer to Table 3 below for the proper size of field supplied lines. The maximum allowable refrigerant line length is 100 ft.



The maximum vertical elevation between the air conditioner and indoor coil is 50 ft. Systems that require more elevation will need to have an oil trap installed in the vapor line. Refer to the Application Guideline for Refrigerant Lines Over 75 Feet (document 044B-0600) for piping details.

A filter drier is supplied with the air conditioner. It is required and recommended that it be installed near the indoor coil.

It is recommended to replace existing refrigerant lines that were previously used for an R-22 system. If the lines are not replaced, they must be properly flushed by a licensed EPA certified technician in accordance with the manufacturer's instructions and established procedures.

MODEL	LINE SET LENGTHS				
	VAPOR LINE				LIQUID LINE
	UP TO 24 FT.	25 TO 39 FT.	40 TO 75 FT.	75 TO 100 FT.	UP TO 100 FT.
-024K Units	3/4 in. (19 mm)		7/8 in. (22 mm)	1 1/8 in. (29 mm)	3/8 in. (10 mm)
-036K Units	7/8 in. (22 mm)		1 1/8 in. (29 mm)		3/8 in. (10 mm)
-048K Units	7/8 in. (22 mm)	1 1/8 in. (29 mm)			3/8 in. (10 mm)
-060K Units	7/8 in. (22 mm)	1 1/8 in. (29 mm)			3/8 in. (10 mm)

**Table 3. Permissible Refrigerant Line Sizes**

### Brazing

Use the appropriate safety equipment while brazing. Items such as gloves, safety glasses, proper ventilation, and a fire extinguisher should be used.

1. Route the refrigerant lines from the indoor coil to the service valves on the air conditioner. Avoid sharp radius bends and turns. See [Figure 7 \(page 13\)](#)
2. Make sure that the vapor line is properly insulated for the entire length of the run for maximum system efficiency. Improper insulation may also create condensation and result in water damage to the equipment and building structure.
3. Remove the valve cores from the air conditioner service valves. Wrap the valves completely with wet rags to protect them from overheating during the brazing operation.
4. Connect both the vapor and liquid lines. Tubes should be round, de-burred and free of debris. Use a phosphorous and copper or silver brazing alloy for the joints. Do not use soft solder with a low melting point.
5. Connect the indoor lines according to the indoor unit instructions. The indoor coil will require the same alloys and wet rags to protect the sensors from excessive heat on the refrigerant lines.
6. Allow the service valves to cool and replace the valve cores.
7. Leak test the connections using low pressure dry nitrogen.

### System Evacuation

1. Connect the refrigerant gauge manifold to both the vapor and liquid service valves. [Figure 7](#). Connect the center port to the vacuum pump.
2. Open both manifold valves and start the vacuum pump. After a short time, it is recommended to close the manifold valves and stop the vacuum pump to look for a rapid loss of vacuum. Loss of vacuum indicates that there is a leak in the system. Repeat the leak test if required.

3. Evacuate the system to at least 500 microns to remove non-condensables and water vapor. Close the manifold valves and remove the vacuum pump.
4. Connect the refrigerant tank to the center manifold port of the gauge set. Pressurize the system enough to break the vacuum.
5. Open both service valves by turning the valve stems ¼ turn counterclockwise. The stem will be in line with the tubes. Replace the stem caps and tighten. Proceed with Refrigerant Charging section.

## **WARNING:**

The air conditioning system contains liquid and gaseous refrigerant under pressure. Adjustment of refrigerant charge should only be done by a qualified, EPA certified technician thoroughly familiar with this type of equipment. Under no circumstances should the homeowner attempt to install and/or service this equipment. Failure to comply with this warning could result in equipment damage, personal injury, or death.

### Refrigerant Charging

#### NOTES:

- The unit must be charged at a fixed speed setting. For this purpose the thermostat needs to be wired and powered prior to charging.
- The air conditioner is factory charged for field installed lines 15 ft. in length with the matching indoor equipment. Adjustments to the refrigerant charge will be required for other length and tube sizes. For lines longer than 15 ft with a 3/8" OD liquid line, add 0.52 oz. per ft. See [Table 4 \(page 5\)](#).
- Small variations in the temperatures and pressures are normal due to differences in the installation.
- Large variations in the temperatures and pressures could indicate incorrect charge or another problem with a component in the system.

The preferred method of charging is by weighing in the additional refrigerant required. If a charging scale is not available, the next preferred charging method would be to use the sub-cooling method. After weighing in extra charge, the subcooling values should be measured to confirm proper charge.

MODEL	2 TON (-024K)	3 TON (-036K)	4 TON (-048K)	5 TON (-060K)
Factory Charge for 15 ft. line set	71 oz	80 oz	98 oz	111 oz
Additional Charge for 40 ft. line set	16 oz	16 oz	18 oz	18 oz
Additional Charge for 75 ft. line set	39 oz	43 oz	44 oz	44 oz
Additional Charge for 100 ft. line set	57 oz	62 oz	63 oz	63 oz

**Table 4. Refrigerant Charge Quantities**

## Charging Operation

For charging in the field, the unit should be run with a call for second stage cooling, with both **Y1** and **Y2** outputs energized. This may be accomplished by setting the thermostat to cool with a setpoint substantially lower than room temperature. This will provide 45 minutes of operation at the nominal rating speed (interface board display “E4”) before there is a speed change (to a higher speed). If this speed change occurs before the charging process is complete, turn the system off, turn control power off and on again, and then restart the process.

### Alternate Procedure for Charging the Air Conditioner in Cooling Mode

*With outdoor temperature above 60° F (Based on Subcooling):*

While charging based on weight is preferred, this method is acceptable. Use this method when the outdoor temperature is 60° F or higher to verify the correct charge. The indoor temperature should be between 70° F and 80° F.

1. Connect the gauge manifold to the liquid and vapor service valves. See [Figure 7 \(page 13\)](#).
2. Start the system in cooling mode. Allow the system to run 15 minutes to stabilize.
3. Record the refrigerant pressure in psig at the liquid service valve.
4. Record the liquid refrigerant line temperature (in ° F) at or near the liquid service valve.
5. Using the temperature value recorded, determine the corresponding liquid refrigerant pressure from the curve in the charging chart appropriate for the unit model. See [Figure 8 \(page 14\)](#).
  - If the pressure measured in step 3 is less than the required liquid refrigerant pressure determined in step 5, then refrigerant needs to be added.
  - If the pressure measured in step 3 is greater than the required liquid refrigerant pressure determined in step 5, then the system is over-charged.
6. Add or remove charge from the system depending on the measurements recorded. Allow the system to stabilize for 15 minutes before taking the next readings.

## SYSTEM OPERATION

### Thermostat

The primary control for the overall cooling system is provided by the indoor thermostat. Any standard two-stage thermostat will be sufficient for operation. Refer to the manual for the thermostat selected or installed for configuration and usage details.

### Blower Flow Rates

Depending on the indoor equipment installed, blower air flow may be adjustable. When paired with a matching model air handler or gas furnace, the airflow is set by DIP switches on the blower control board, providing one flow for second stage compressor speeds and a lower flow for first stage compressor speeds. Refer to the indoor equipment manuals for instructions on how to select the desired air flows. High stage airflows used for equipment ratings are as follows:

- 2 ton - 810 cfm
- 3 ton - 1050 cfm
- 4 ton - 1480 cfm
- 5 ton - 1675 cfm

Refer to indoor equipment installation instructions for options, operation, and field wiring relating to dehumidification and humidification.

### Start-Up Sequence

The recommended sequence is to provide 208/230 volt line power to the outdoor unit first (via the disconnect), then apply 24 vac control power second. This sequence will avoid generating potentially confusing fault codes, which will continue to be displayed as part of fault history when the unit is subsequently operating normally.

### Run Sequence

After power-up and between cycles (after the preceding shutdown) there will always be a five minute compressor (re)start delay imposed. With a call for cooling and before the compressor is turned on, the outdoor fan will run for one minute to assure that the outdoor temperature measurement is close to that of the ambient air. The compressor will then ramp up to a speed selected by the capacity control scheme.

This air conditioner is a true variable speed unit. Normally the compressor will operate at one of 5 cooling speeds, each predetermined for a balance of optimum efficiency and capacity. The outdoor fan motor will also operate at multiple speeds, following the compressor.

The speeds used will depend on several factors, including:

- Whether first or second stage operation is called for by the thermostat (which must be two stage-capable),
- Outdoor ambient temperature.
- The length of time the equipment has been operating during the current cycle
- The operating speed history, for both the current and the previous operating cycles.

For example, with a first stage call in cooling, if the setpoint was satisfied quickly (within 20 minutes), the unit will restart the next time at a lower speed. At a low or intermediate speed, if the setpoint is not satisfied within 45 minutes, the speed will be increased. If the unit cycles off after having a speed increase, the entire next cycle will be at the higher speed. Also, the outdoor fan will run for an extra minute after the compressor shuts off at the end of a cycle.

The actual current operating compressor speed can be determined by checking the 2-character display on the interface board. Refer to [Figure 9 \(page 14\)](#) and [Table 5](#).

Control operation is protected under U.S. patent number US 8,011,199 B1.

### Diagnostic Display

The interface board located inside the control panel has a two character display which provides information regarding operational status and fault history. When 24 vac control power is provided to the board, the display will show some combination of characters. In order to diagnose a problem with the unit, or to determine its operational status, remove the control panel cover, then observe the 2-character lighted display on the interface board. Refer to [Table 5 \(page 7\)](#) and [Table 6 \(page 8\)](#).

When control power is first applied to the control board, the 2-character display will show the following three items in sequence, twice:

- Unit size (tons): 2t, 3t, 4t, or 5t
- Unit type: AC for air conditioner
- Software version, e.g. 4.0

This power-up display sequence is intended to confirm the correct programming of the inverter control board.

After power-up, the display will alternate between an operating code ([Table 5](#)) and a list of the codes for up to the last 20 different faults or warnings. When this list is being displayed, each diagnostic code in memory will be displayed for 5 seconds. The most recent code will be the first one appearing in the series of codes displayed.

**NOTE:** If there is a fault that is “active” when the display is viewed, the decimal point to the right of the right side character will be lit. The code for the most recent active fault will flash three times before the remainder of the fault history list is shown.

Fault codes are retained through loss of power. Any fault which has been in the list for more than 7 days (with control power applied) will be removed. When there are no active faults, the list of past fault codes can be cleared by shorting the TEST pins (J4, at the lower right side of the inverter control board) when the unit is powered up but not running.

**NOTE:** This action may also have other consequences - See Short Cycle Timer Override section above.

DISPLAY	CAPACITY STAGE OR STATUS
1	Cooling, Stage One Call, Low
2	Cooling, Stage One Call, Intermediate
3	Cooling, Stage One Call, Low High
4	Cooling, Stage Two Call, Nominal High
5	Cooling, Stage Two Call, Boost
.,dL	Startup Delay (5 minutes)
-	System Powered but Idle
Lt	Cooling Low Temperature Lockout (< 50° F)

**Table 5. Interface Board Operating Codes**

### Short Cycle Timer Override

When performing startup tests or while troubleshooting, the 5 minute startup delay can be skipped by shorting the two J4 Test pins indicated in [Figure 9](#) for about 1 second while the compressor is off and waiting to start.

**NOTE:** Use this feature with forethought because it will also clear the fault codes stored in memory, which can make troubleshooting more difficult.

### Low Temperature Lockouts

The control will not permit the unit to operate at ambient temperatures below 50° F. If there is a call for air conditioning when the temperature drops below this point, the unit will shut down (if running), and diagnostic code 29 will be displayed on the interface board. The status code Lt (for Low Temperature) will also appear. Once this lockout is in effect, the unit can resume cooling after ambient temperature has risen again above 55° F.

### Other Speed Overrides

When ambient temperature is high, exceeding 105° F, the compressor speed may be reduced to limit current draw or inverter component temperature. Whether or not this occurs and to what degree the speed is reduced depends upon the unit model and the specific operating conditions as detected by the inverter. Speed will return to the normal value when the high current or temperature condition is relieved. In addition, any time outdoor ambient temperature exceeds 100° F, the fan will operate at its maximum speed.

### Instrumentation

This iQ Drive split system air conditioner includes instrumentation as listed in [Table 7 \(page 8\)](#). All items listed are connected to the interface board except for the high pressure switch. Refer to [Figure 4 \(page 12\)](#), [Figure 9 \(page 14\)](#), [Figure 10 \(page 15\)](#), and [Figure 11 \(page 16\)](#). The two temperature sensors are color coded so that the color of the wire insulation matches the color of the connector base on the left side of the circuit board. All temperature sensors are 10k ohm thermistors. The resistances of these sensors (when disconnected from the interface board) may be checked against [Figure 12 \(page 17\)](#) for troubleshooting purposes. [Figure 12](#) shows the thermistor resistance-temperature curve broken into two parts for ease of use.

DISPLAY	CAPACITY STAGE
01	Inverter Power Module Overcurrent
02	General Inverter Drive Fault
03	High Compressor Current
04	Current Sampling Error (Inverter)
05	High Inverter Heat Sink Temperature
06	High DC Bus Voltage (Inverter)
07	Low DC Bus Voltage (Inverter)
08	Low Line Voltage at Inverter
09	Line Overcurrent at Inverter
10	Line Voltage Sampling Error (Inverter)
11	Loss of Communication (Inverter Internal)
12	Inverter Heat Sink Sensor Failure
13	Loss of Communication (Inverter Internal)
14	Loss of Communication (IFB to Inverter)
15	Override, High Compressor Current
16	Override, High Line Current
17	Override, High Inverter Heat Sink Temp
18	Outdoor Fan Motor Fault
19	Low Pressure Switch Open
20	High Compressor Discharge Temperature
21	Interface Board Software Error
23	Sensor Failure - Compressor Dischg Temp
24	Sensor Failure - Ambient Temperature
29	Cooling Low Temperature Lockout

**Table 6. Interface Board Diagnostic Codes**

FUNCTION	TYPE	CONNECTION
High Pressure Switch	Opens 650 ±15 psig, recloses 460 ±15 psig	See <a href="#">Figure 10</a> , and <a href="#">Figure 11</a>
Low Pressure Switch	Opens 20 ±5 psig, recloses 35 ±5 psig	IFB* LP1-LP2
Ambient Air Temp	Thermistor 10KΩ @ 25° C (Fig. 10)	IFB* "OUTDOOR TEMP" (BLK)
Compressor Discharge Temp	Thermistor 10KΩ @ 25° C (Fig. 10)	IFB* "DISCHARGE TEMP" (RED)

\*IFB=Interface Board

**Table 7. Instrumentation List**

## TROUBLESHOOTING

The 2-character LED display on the inverter control board is intended to be helpful in diagnosing problems. Under normal operation, the display will always show both a status indicator ([Table 5](#)) along with fault indications ([Table 6](#)).

The fault indications are a sequential listing of fault history. The last 10 fault codes recorded are displayed in sequence, with the most recent first. If there is an "active" fault, one which is currently detected and responsible for interrupting operation, the right hand decimal point in the display will be lit, and the first number in the list will double-blink at first, then appear again. If this decimal point is not lit, all codes listed are historical only, and none are "active". Also, if no code numbers are displayed, there have been no faults recorded, or the history has been cleared.

**NOTE:** As standard practice, write down the fault codes in the history before attempting to clear the history. In troubleshooting, focus on fault codes that return as "active" after the history has been cleared. Do not replace hardware based on history alone, i.e., on faults that are not "active".

### WARNING:

**Do not touch inverter conductors or the tops of its large capacitors until power has been off for at least 30 seconds. The inverter will retain a high voltage for a time after power has been removed. Failure to comply with this warning could result in serious injury, death or property damage.**

The list of past faults can be cleared by shorting the TEST pins (**J4**) at the lower right side of the inverter control board (when the unit is powered up but not running). This procedure will also force the unit to bypass the normal 5 minute stop-to-start delay.

Fault and warning codes are listed in [Figure 8 \(page 14\)](#) and on a label affixed to the inside surface of the control panel cover.

### Inverter Circuit Board LEDs

For some inverter-related fault codes, it is helpful to note at least whether or not LEDs are lit on the main inverter circuit boards, which are mounted behind the interface board on which the codes are displayed. For 2, 3, and 4-ton models, look for a lit LED about 3 inches directly behind the 2-character display. For the 5-ton model look for a lit LED about 3 inches directly behind the lower edge of the secondary contactor that is mounted on the left side of the upper mounting bracket.

**NOTE:** There are other LEDs on the inverter circuit boards as well as those described above.

For normal operation the inverter LEDs located as described above will blink green slowly. When there is an inverter-generated fault, a red LED next to the green one will flash. Normally this will be translated into a 2-digit fault code on the main display.

If the green LED (described above) is not lit, it generally indicates that line voltage is not getting to the inverter via the contactor. Check for the presence of 208/230 volts between the top two terminals of the main contactor. If voltage is



present, the inverter needs to be replaced, or internal wiring is incorrect. If line voltage is absent, check for 24 vac across the main contactor coil, and verify line voltage between the lower terminals of the contactor. If 24 volt coil voltage is absent, check continuity through the high pressure switch, and verify that the **COMMUNICATIONS PORT** plug is in place at **J6** at the bottom edge right of the interface board.

### No Control Board Display

If the 2-character display on the interface board shows nothing, verify that 24 vac control voltage is present between **R** and **C** (red and black wires of the field wiring harness plugged into the right side of the control board. If voltage is absent, check field wiring back to the indoor unit and transformer and thermostat. If voltage is present but the display is blank, the control board needs to be replaced. Check wiring for indications of a direct short before trying a new board.

### Troubleshooting Individual Fault Codes (when active)

Follow the recommended troubleshooting procedures in Table 8 for “active” faults. In some cases more than one fault code or different active codes may be generated by one issue, e.g. interruption of line power. Always cycle line power (30 seconds off, then on for at least 1 minute) to confirm that an active fault returns, is re-declared, before considering replacing hardware. Most inverter-related faults are at least temporarily cleared by cycling power in this manner. Do not replace hardware based on history alone, on faults that are not “active”.

CODES	DESCRIPTION
01 03 05 09	These codes indicate abnormal high current or high inverter temperature. If they persist and return as active fault codes, they may indicate a faulty inverter drive or a wrong interface board/inverter combination.
02	<b>Compressor Drive Failure</b> – This generally indicates a compressor problem which may be temporary or permanent. If the compressor has just been replaced, recheck the U, V, and W compressor leads for a connection mistake. Before the inverter declares this fault during an attempted startup, it will try to start the compressor 4 times, with approximately 20 seconds pause between attempts. During start attempts, listen for compressor noise; if none, the compressor may need to be replaced. Check compressor phase-to-phase resistances; they should all be less than 1.5 ohms and within 0.2 Ω of each other. If compressor noise is loud, squealing, or otherwise unusual, the compressor may need to be replaced. If the compressor restarts normally, this fault code may be simply an indication that the compressor speed has been temporarily disrupted by either starting or shutting down abruptly against a high pressure ratio. In either case, the system may be normal but only temporarily affected by abnormal running conditions.
04 10 11 12 13	These fault codes refer to internal inverter operation and are likely to indicate inverter failure. If they persist and return as active fault codes, replace the inverter assembly.
06	<b>High DC Bus Voltage</b> – This is an indication that line voltage exceeded 10% over nominal value. The cause is likely to be power grid abnormalities or a poorly controlled generator.
07	<b>Low DC Bus Voltage</b> – In most cases this is an indication that 208/230 volt line power was interrupted or disconnected. It may also indicate low line voltage or, rarely, an internal inverter failure.
08	<b>Low AC Line Voltage</b> – This indicates that line voltage has dropped below approximately 170 volts. It may also indicate loss of line power, in which case Code 07 may appear in addition to or instead of this code.
14	<b>Loss of Communication Between Inverter and Interface Board</b> – Check the inverter LEDs (as described in Inverter Circuit Board LEDs section) for an indication that the inverter has line power. Follow the troubleshooting steps described in that section first. If the inverter LEDs are lit but the code is active, verify that the 4-pin plug at <b>J5 (INVERTER PORT)</b> is connected at the bottom edge center of the interface board. If these checks do not resolve the fault and the fault remains active, replace the interface board.
15 16 17	These are warning codes that simply indicate that a high current or temperature condition was reached, and that the inverter was able to keep the parameter in an acceptable range by automatically reducing speed. These conditions do not result in the unit shutting down (unless the current or temperature increased further and reached a shutdown limit, in which case another code would be displayed). <b>NOTE:</b> If a high current or temperature shutdown occurs, these warning codes are not necessarily displayed and stored.

Table 8. Individual Fault Codes

## AIR CONDITIONER MAINTENANCE

### ⚠ **WARNING:**

#### **ELECTRICAL SHOCK HAZARD**

**Failure to follow safety warnings exactly could result in serious injury or property damage.**

**Improper servicing could result in dangerous operation, serious injury, death or property damage.**

- **Before servicing, disconnect all electrical power to the unit.**
- **When servicing controls, label all wires prior to disconnecting. Reconnect wires correctly.**
- **Verify proper operation after servicing.**

- Inspect the indoor air filter monthly. Clean or replace it at the start of each cooling season or when an accumulation of dust or dirt is visible. If the indoor coil needs to be cleaned, contact a qualified service technician.
- Inspect the condensate disposal line from the indoor coil at the beginning of the cooling season to make sure it is not obstructed.
- Remove any leaves, grass clippings, and debris from the outdoor unit coil, being careful not to damage the aluminum fins. Dirt may be cleared from the coil by using a water hose directed through the discharge fan grille toward the outside of the unit.
- Have a yearly inspection by a qualified service technician to ensure that the system is performing at its optimum level.
- At least once a season open the control panel (with power off) to inspect for and clear out insect structures and/or cobwebs which might impede airflow through the control panel compartment and the air inlet louvers at the bottom of the control compartment.
- To access the internal components of the unit, refer to [Figure 2 \(page 11\)](#) for panel removal and [Figure 3 \(page 11\)](#) for panel installation.

#### **Panel Removal**

1. Remove screws securing the panel.
2. Slide the panel up towards the top pan in order to clear the bottom flange from the base pan. See [Figure 2 \(page 11\)](#).
3. Swing the bottom of the panel out and pull the panel down to remove it from the unit.

#### **Panel Installation**

1. Insert the top corners of side panel flanges into the corner post channels as shown in Detail A in [Figure 3 \(page 11\)](#).
2. Slide the panel up into the top pan. (You may need to push on the center of the panel at the top in order to clear the top pan edge).
3. Swing the panel in and push down until the panel is resting on the top edge of the base pan wall as shown in Detail B.
4. Insert screws into the panel to secure it to the unit.

18	<p><b>Outdoor Fan Fault</b> – Check that 208/230 vac line power is being provided through the main contactor to the fan. In 5-ton models this is through a terminal block located to the right of the contactor. If ok, check that the 2-wire fan power harness (brown and black wires) is connected as indicated on the wiring diagram. If ok, check that the fan control harness is properly connected at J15 (PWM FAN CONTROL) at the top edge, center, of the control board. If ok, check the small square white label on the interface board which has two numbers printed along its edges. Examine the date code number, the one that does not begin with “1AC3”. If this other number begins with “1235” or lower, replace the interface board. If this date code starts with “1245” or higher, and the other checks do not reveal the source of the problem, replace the fan motor.</p>
19	<p><b>Low Pressure Switch Open</b> – A low pressure condition (less than 20 psig (±5)) must exist in the suction line for more than 4 minutes to trigger this fault. A pressure of 35 psig (±5) is required to reclose the switch. Check liquid line temperature and pressure against the charging chart to confirm that charge level is not significantly low. Compare gage measurement against the 20 psi switch limit (with the system running). If gage measurements are good, check that the pressure switch is depressing the Schrader pin. Verify that the blue wires from the switch are properly connected to the LOW PRESSURE SWITCH terminals at the lower edge, left of center, on the interface board. If the system is normal, an active low pressure switch fault should clear when the compressor is off. Check continuity across the wire terminals. If the connection is electrically open, and manual pressure checks show that system pressure is good while running but the fault remains active, replace the switch.</p>
20	<p><b>High Compressor Discharge Temperature</b> – If compressor discharge line temperature exceeds 221° F, this fault is triggered. Check for conditions that would cause high discharge temperature and pressure, e.g. fouled or blocked coil, overcharge. See also fault code 23.</p>
21	<p><b>Interface Board Software Corruption</b> – This code indicates that the interface board needs to be replaced. It should never be encountered.</p>
23	<p><b>Compressor Discharge Temp Sensor Failure</b> – This fault code indicates an open or shorted sensor. See also fault code 20.</p>
24	<p><b>Ambient Temp Sensor Failure</b> – This fault code indicates an open or shorted sensor. The tip of the sensor should be mounted near the louvers at the base of the control compartment. Look for a pinched wire with cut insulation.</p>
29	<p><b>Cooling Low Temperature Lockout</b> – This is an informational code that indicates that the unit attempted to start or run in cooling mode when outdoor ambient temperature was below 50° F, which is not permitted. If such a lockout occurs, the unit will restart when ambient temperature exceeds 55° F. If the ambient temperature sensor fails open or is disconnected, this code will also appear.</p>

**Table 8. Continued**

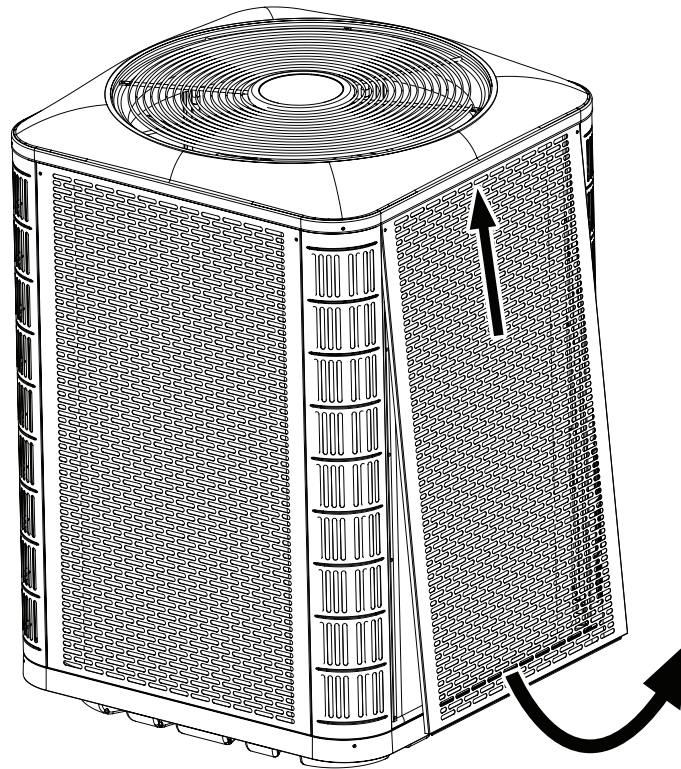


Figure 2. Panel Removal

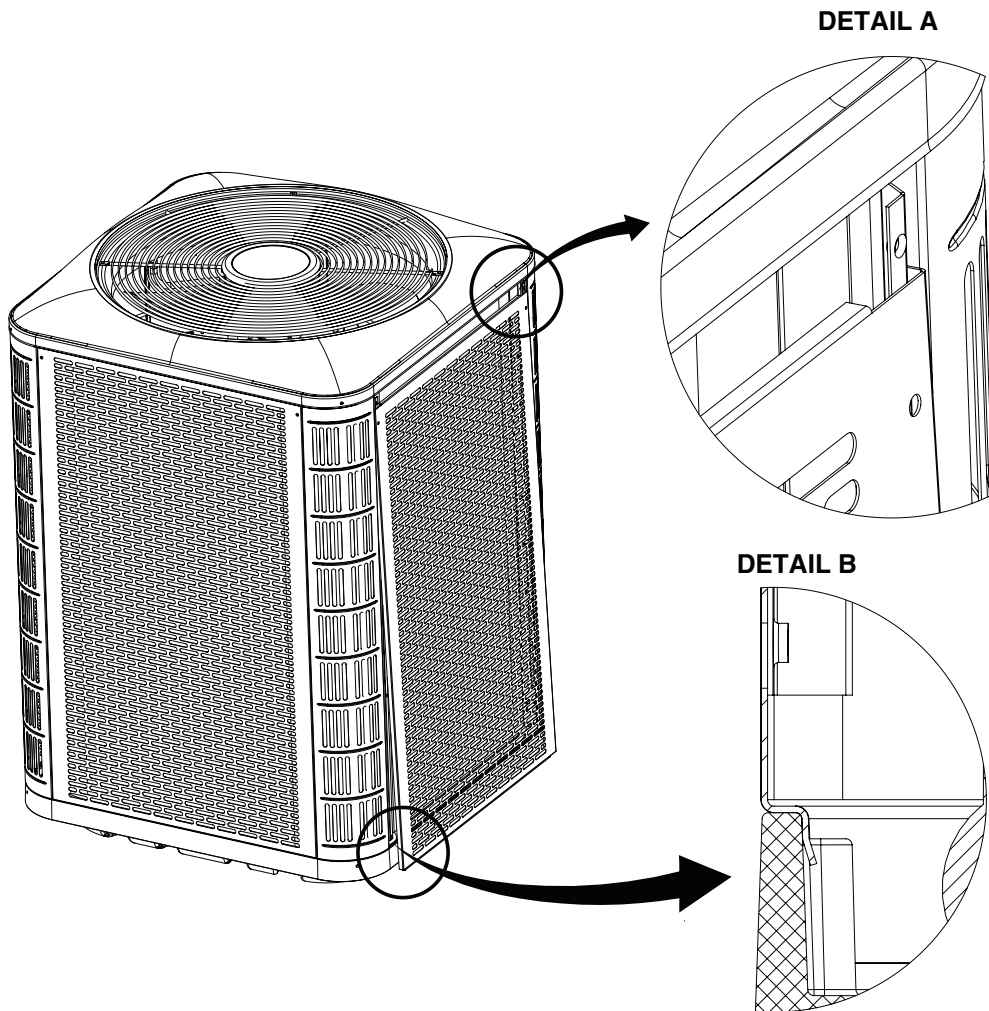


Figure 3. Panel Installation



# FIGURES & CHARTS

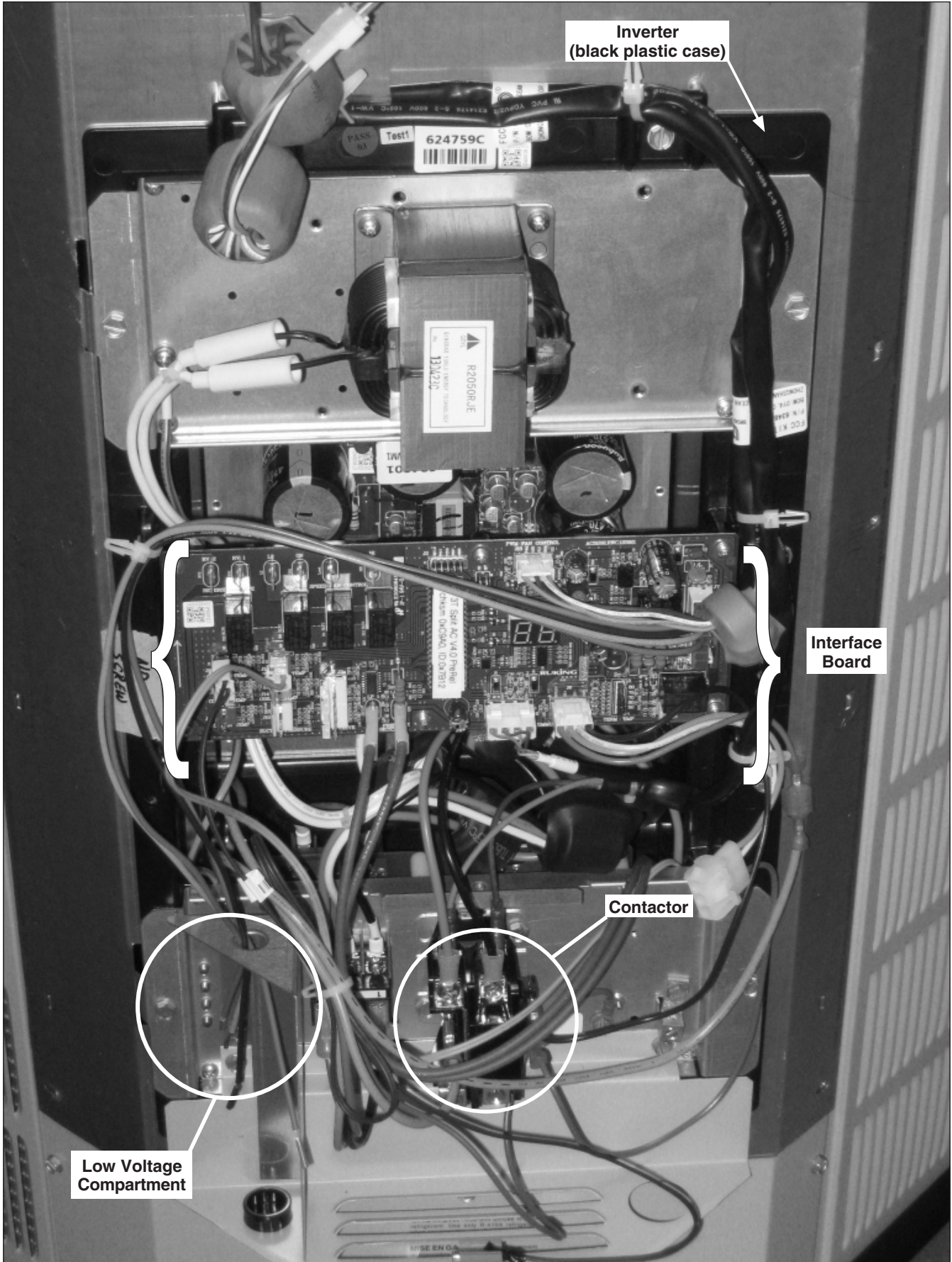


Figure 4. Air Conditioner Control Panel (Cover Removed)



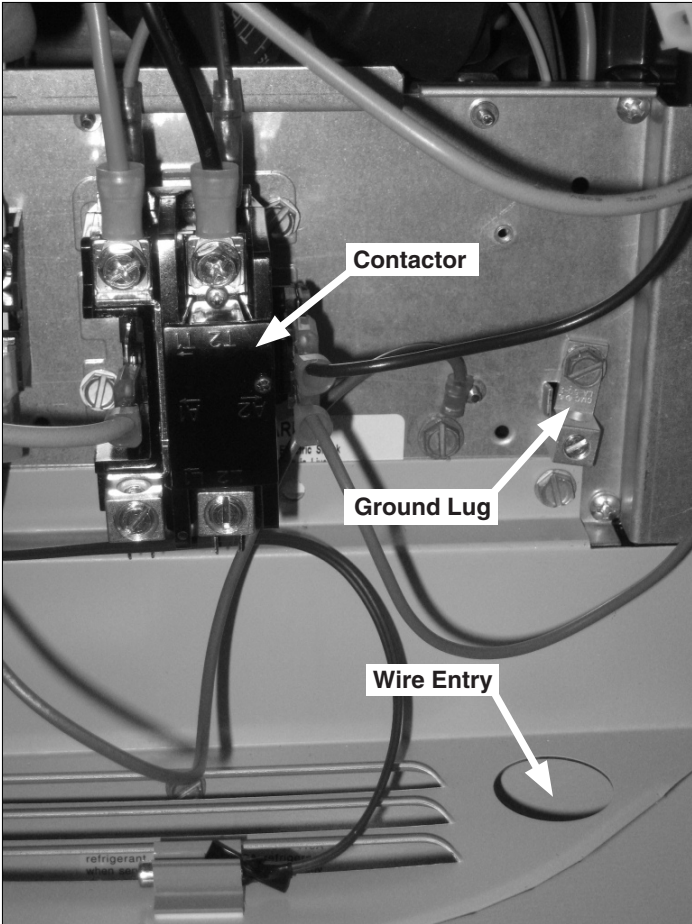


Figure 5. Power Wiring Terminals

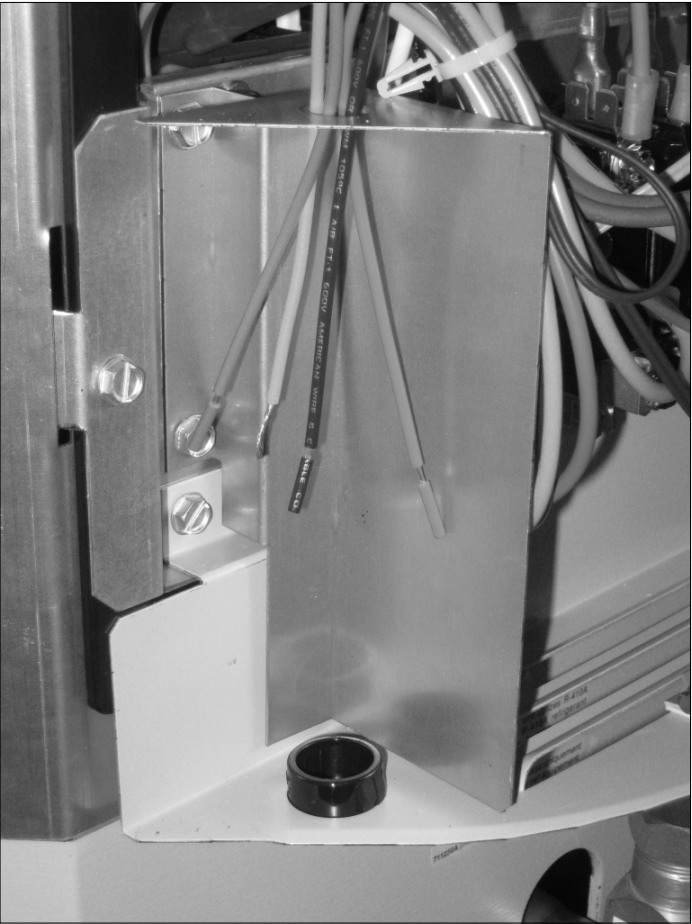


Figure 6. Low Voltage Compartment for Control Wiring

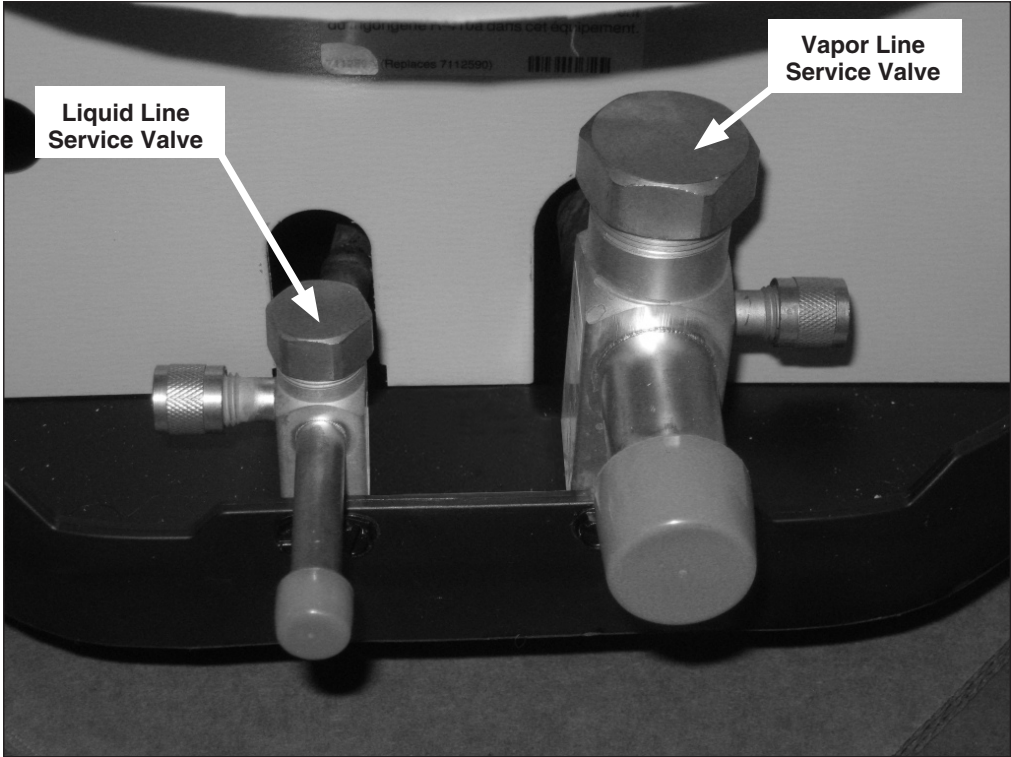


Figure 7. Service Valves

# Cooling Charging Chart

(Outdoor Temperature above 60° F)

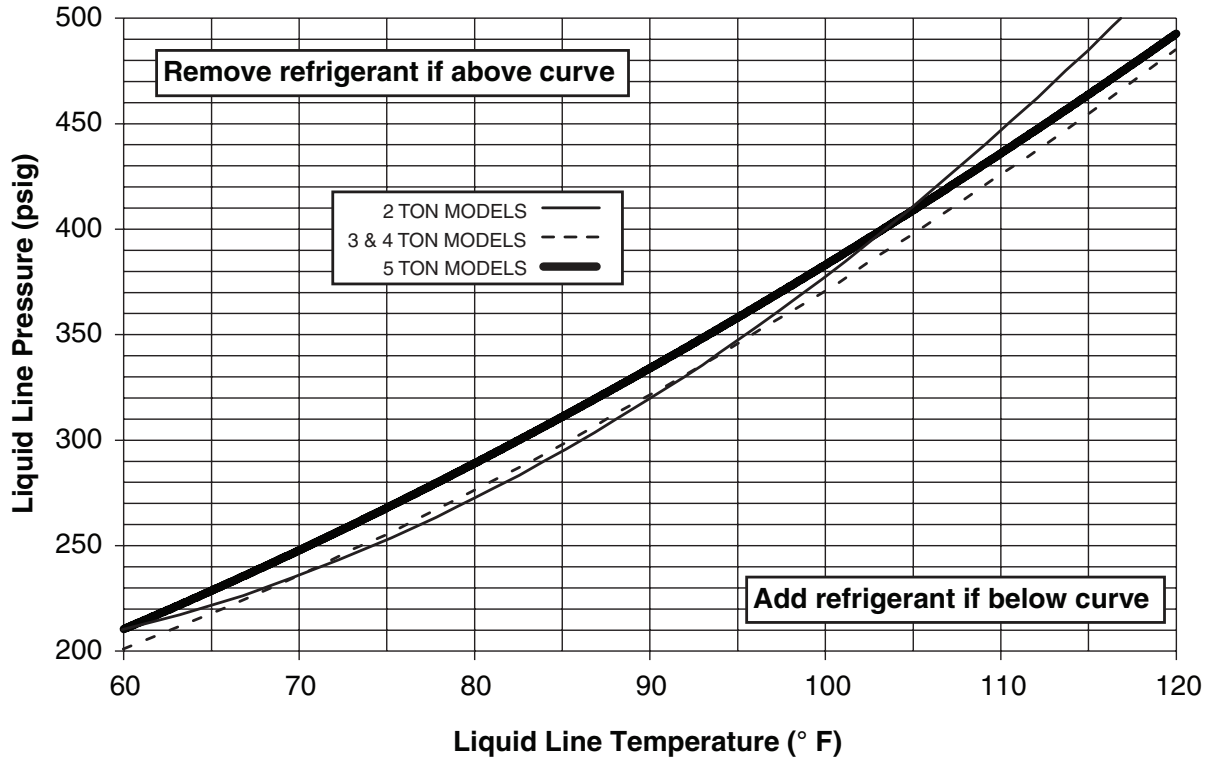


Figure 8. Charging Chart

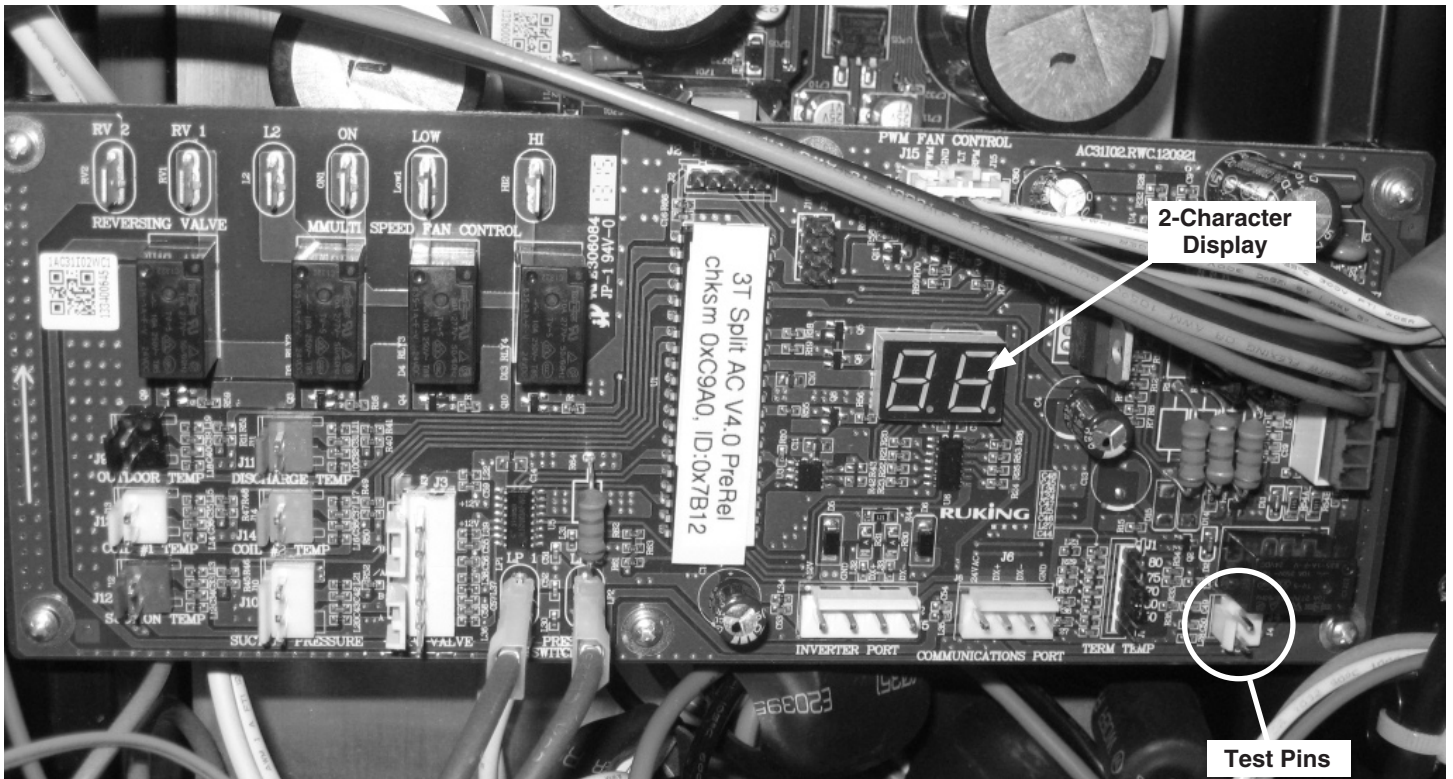


Figure 9. Interface Board in Control Panel

# WIRING DIAGRAM

## Split System Inverter AC - 2, 3, 4 Ton

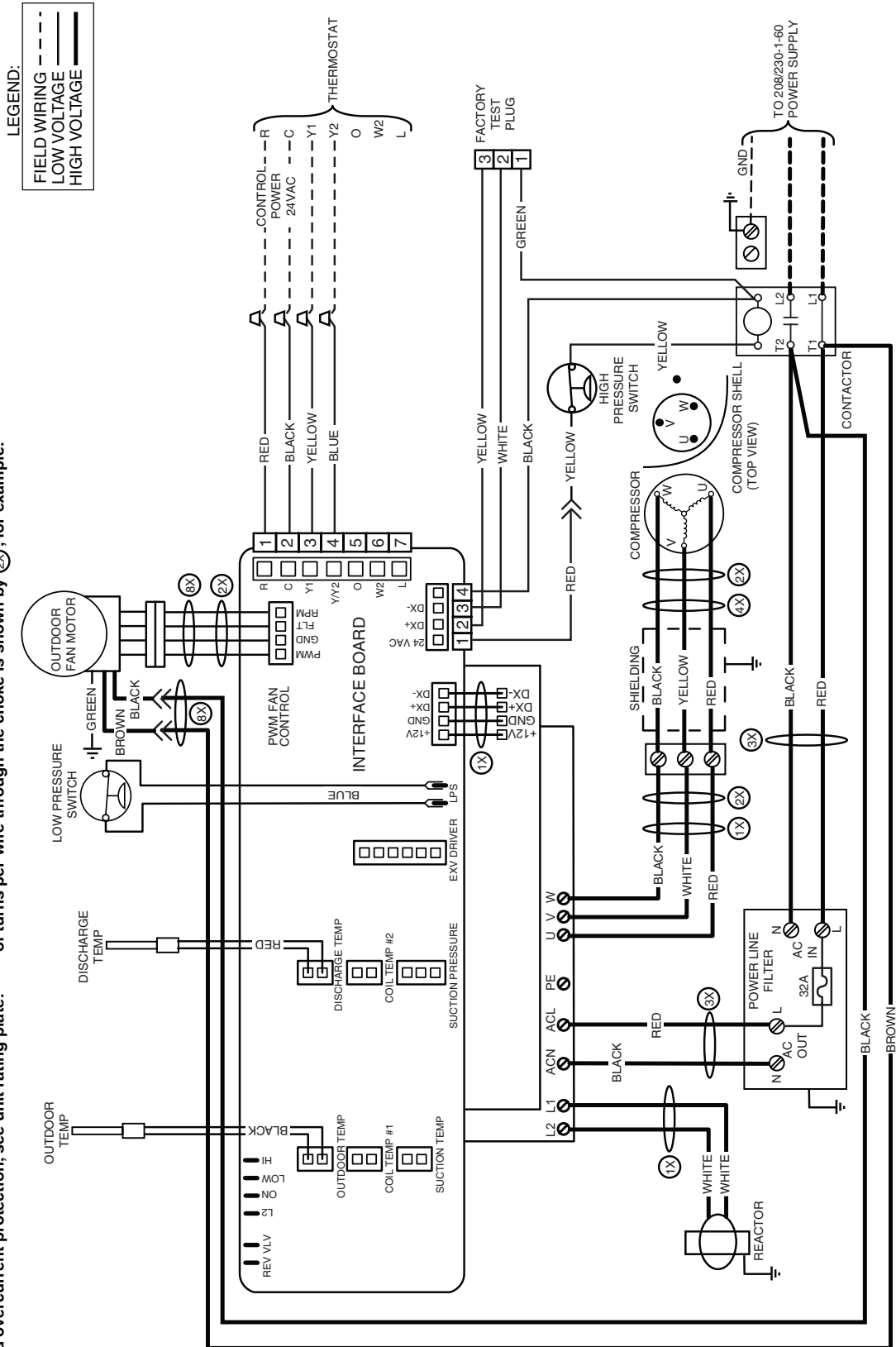
## Line Voltage 208/230 VAC

## 1 Phase / 60 Hz

### NOTES:

1. Disconnect all power before servicing.
2. For supply connections use copper conductors only.
3. Not suitable on systems that exceed 150 volts to ground.
4. For replacement wires use conductors suitable for 105 deg. C.
5. For ampacities and overcurrent protection, see unit rating plate.
6. Connect to 24 vac/60va/class 2 circuit. See furnace/air handler installation instructions for control circuit and optional relay/transformer kits.
7. Ferrite chokes are shown by an ellipse enclosing wires. The number of turns per wire through the choke is shown by (2X), for example.

1. Couper le courant avant de faire leretien.
2. Employez uniquement des conducteurs en cuivre.
3. Ne convient pas aux installations de plus de 150 volts a la terre.



10171850  
12/16

Figure 10. Wiring Diagram (2, 3 & 4 Ton Models)

# WIRING DIAGRAM

## Split System Inverter AC - 5 Ton

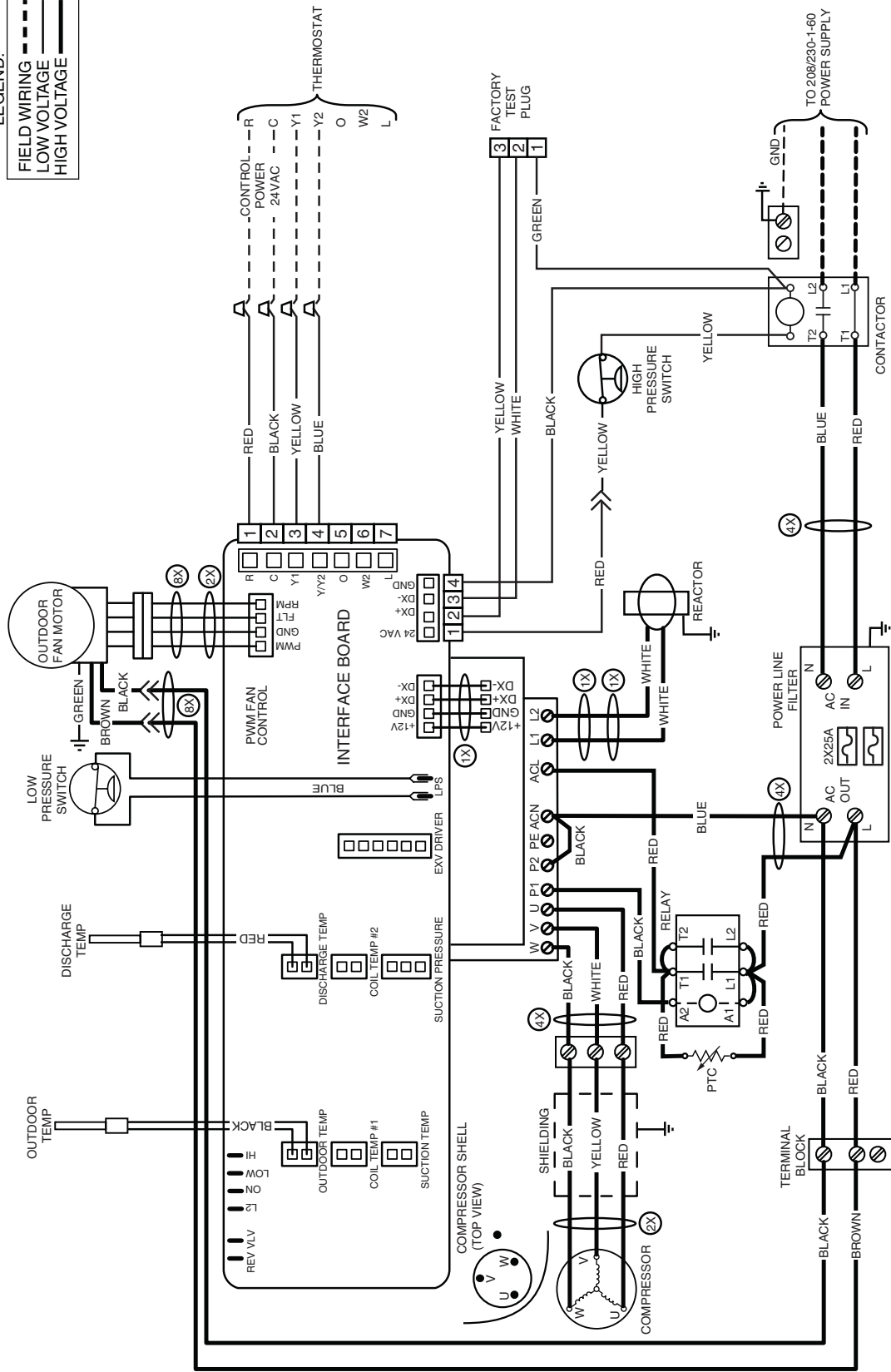
## Line Voltage 208/230 VAC

## 1 Phase / 60 Hz

- NOTES:**
1. Disconnect all power before servicing.
  2. For supply connections use copper conductors only.
  3. Not suitable on systems that exceed 150 volts to ground.
  4. For replacement wires use conductors suitable for 105 deg.C.
  5. For ampacities and overcurrent protection, see unit rating plate.

6. Connect to 24 vac/60va/class 2 circuit. See furnace/air handler installation instructions for control circuit and optional relay/transformer kits.
7. Ferrite chokes are shown by  $\textcircled{X}$ , for example.

1. Couper le courant avant de faire leretien.
2. Employez uniquement des conducteurs en cuivre.
3. Ne convient pas aux installations de plus de 150 volt a la terre.

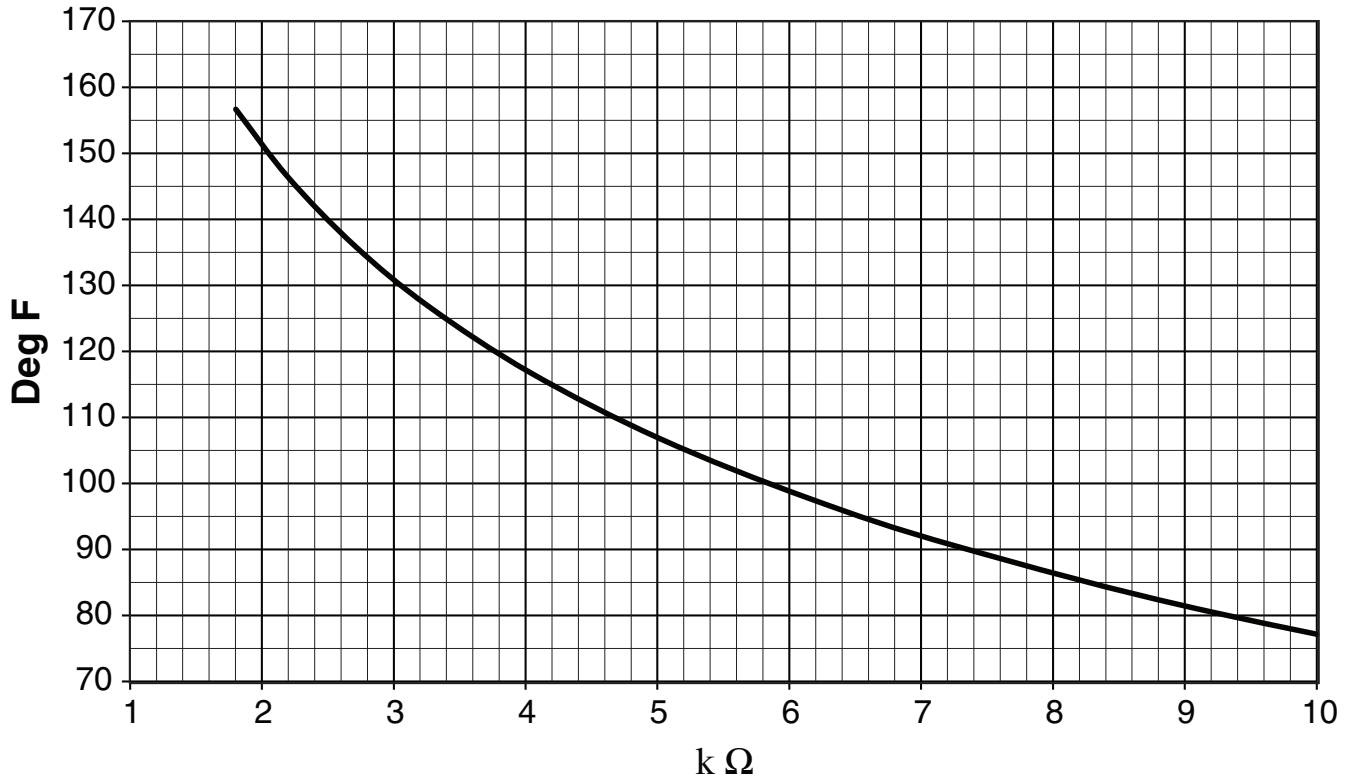


10171860  
12/16

Figure 11. Wiring Diagram (5 Ton Models)



### Temperature vs. Resistance for All Thermistors (Part 1)



### Temperature vs. Resistance for All Thermistors (Part 2)

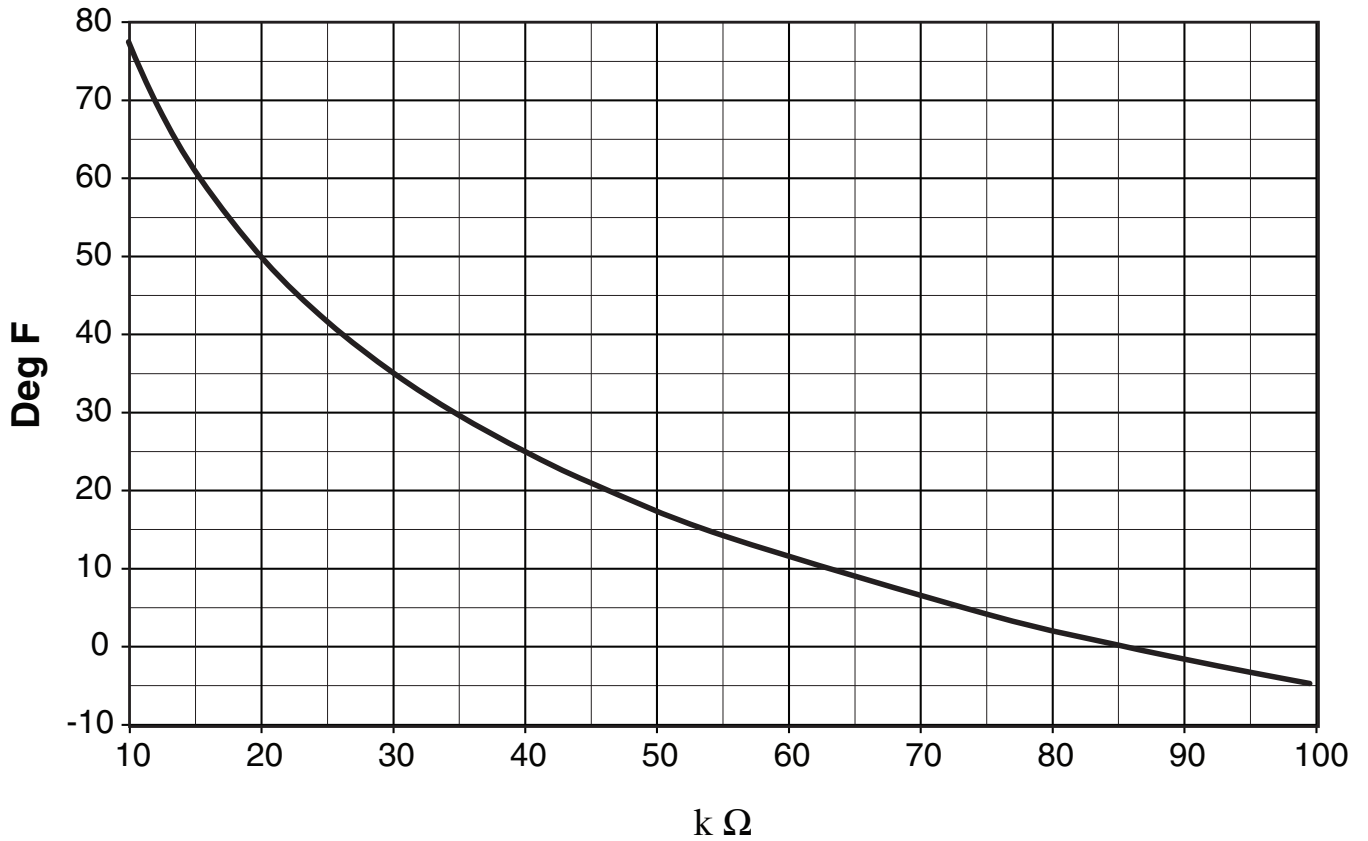


Figure 12. Temperature Sensor Resistance Charts





# INSTALLATION CHECK LIST

## ATTENTION INSTALLERS:

It is your responsibility to know this product better than your customer. This includes being able to install the product according to strict safety guidelines and instructing the customer on how to operate and maintain the equipment for the life of the product. Safety should always be the deciding factor when installing this product and using common sense plays an important role as well. Pay attention to all safety warnings and any other special notes highlighted in the manual. Improper installation of the furnace or failure to follow safety warnings could result in serious injury, death, or property damage.

These instructions are primarily intended to assist qualified individuals experienced in the proper installation of this appliance. Some local codes require licensed installation/service personnel for this type of equipment. Please read all instructions carefully before starting the installation. Return these instructions to the customer's package for future reference.

### INSTALLATION ADDRESS:

CITY \_\_\_\_\_ STATE \_\_\_\_\_

UNIT MODEL # \_\_\_\_\_

UNIT SERIAL # \_\_\_\_\_

Unit Installed Minimum clearances per Figure 1 (page 3)?	YES	NO
--	-----	----

### INSTALLER NAME:

CITY \_\_\_\_\_ STATE \_\_\_\_\_

## PROPOSITION 65 WARNING:

**WARNING: This product contains chemicals known to the state of California to cause cancer.**

**WARNING: This product contains chemicals known to the state of California to cause birth defects or other reproductive harm.**

## ELECTRICAL SYSTEM

Electrical connections tight?	YES	NO
Line voltage polarity correct?	YES	NO
Rated Voltage: _____ VOLTS		
L1-L2 Volts: _____ VOLTS		
Max. deviation of voltage from rated volts: _____ VOLTS		
% Volt imbalance: _____ VOLTS		
Blower Motor HP: _____		
Has the thermostat been calibrated?	YES	NO
Is the thermostat level?	YES	NO

## REFRIGERATION SYSTEM

Stage-1 Liquid Pressure (high side) _____		
Stage-1 Suction Pressure (low side) _____		
Stage-2 Liquid Pressure (high side) _____		
Stage-2 Suction Pressure (low side) _____		
Has the owner's information been reviewed with the customer?	YES	NO
Has the Literature Package been left with the unit?	YES	NO

