

# QUICK REFERENCE DATA

## \*SA1BD4M1 Series Residential Split System Air Conditioner

13 SEER

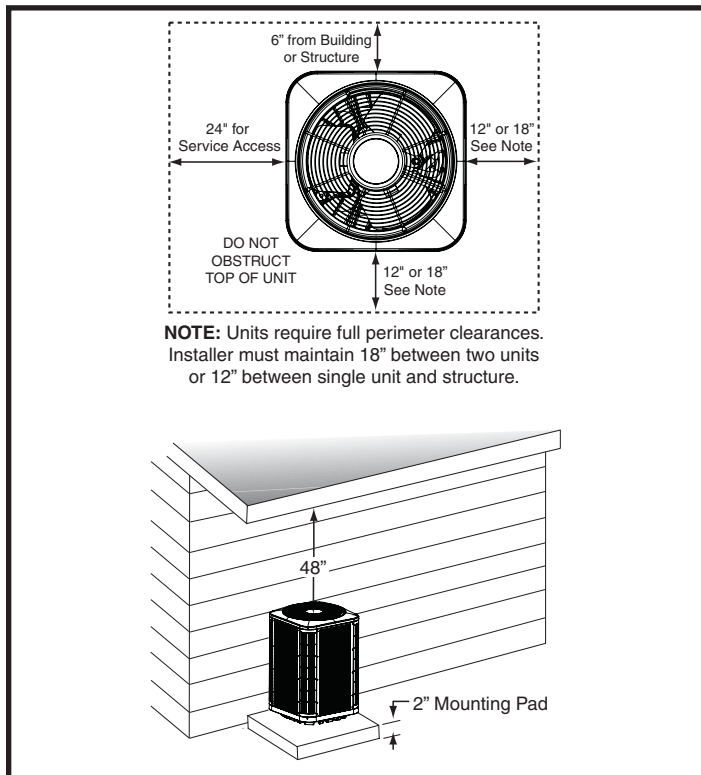
MODEL NUMBER: *SA1BD4M1SN		18K	24K	30K	36K	42K	48K	60K	
<b>ELECTRICAL DATA</b>	Volts-Cycles Phase (1)	208 / 230 - 60 - 1							
	Total Amps	9.7	13.5	14.8	18.0	19.4	23.2	27.8	
	Delay Fuse Max. (2)	20	25	30	35	40	50	60	
	Min. Circuit Ampacity	12.0	16.7	18.3	22.2	23.9	28.7	34.4	
<b>COMPONENT DATA</b>	Coil	Area	8.3	8.3	10.0	10.0	15.3	15.3	17.9
		Rows-FPI	1-18						
		Tube Dia.	Micro-Channel						
	Fan Motor	Type	PSC						
		Amps	0.35	0.7	0.7	1.4	1.5	1.5	1.5
		HP	0.05	0.1	0.1	0.25	0.25	0.25	0.25
	Compressor Data	RLA	9.3	12.8	14.1	16.6	17.9	21.8	26.4
		LRA	56.6	58.3	73.0	79.0	112.0	117.0	134.0
<b>RECOMMENDED REFRIGERANT SUCTION LINE O.D</b> NOTE: Liquid line is 3/8" O.D. for entire length.	0 - 24 ft.	3/4"	3/4"	3/4"	3/4"	7/8"	7/8"	7/8"	
	25 - 39 ft.	3/4"	3/4"	3/4"	7/8" (3)	7/8"	7/8"	1-1/8" (4)	
	40 - 75 ft.	3/4"	3/4"	3/4"	7/8" (3)	7/8"	7/8"	1-1/8" (4)	
<b>REFRIGERANT CHARGE</b> R-410A in ounces for outdoor unit & 15' Lineset. (5)		40.4	41.0	40.0	41.0	59.0	60.0	69.6	
<b>APPROXIMATE WEIGHT (LBS.)</b>	Net	113	114	119	123	173	175	189	
	Ship	126	127	133	137	194	196	211	

- (1) Operating Voltage Range: 187v min. — 253v max.
- (2) HACR Type Circuit Breakers may be used.
- (3) Requires 7/8" to 3/4" reducer from line to unit.
- (4) Requires 7/8" to 1-1/8" reducer from line to unit.
- (5) Additional charge for line sets above 15 feet. Values based on suction line as follows with 3/8" liquid line.
  - (a) 3/4" = 0.6 oz. per additional foot.
  - (b) 7/8" = 0.7 oz. per additional foot.
  - (c) 1 1/8" = 0.8 oz. per additional foot.

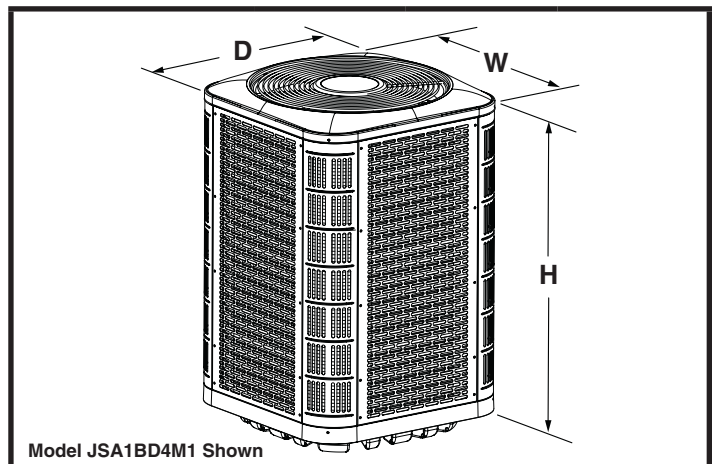
**Table 1. Electrical Specifications & Physical Data**

WIRE GAUGE	RECOMMENDED MAXIMUM WIRE LENGTH (FT) FROM UNIT TO THERMOSTAT
22	45
20	70
18	115
16	180

**Table 2. Control Wiring (24V)**



**Figure 1. Clearance Requirements**



MODEL NUMBER	HEIGHT (H)	WIDTH (W)	DEPTH (D)
*SA1BD4M1SN18K	24 1/2"	23 3/4"	23 3/4"
*SA1BD4M1SN24K	24 1/2"	23 3/4"	23 3/4"
*SA1BD4M1SN30K	28 1/2"	23 3/4"	23 3/4"
*SA1BD4M1SN36K	28 1/2"	23 3/4"	23 3/4"
*SA1BD4M1SN42K	29 1/4"	31 3/4"	31 3/4"
*SA1BD4M1SN48K	29 1/4"	31 3/4"	31 3/4"
*SA1BD4M1SN60K	33 1/4"	31 3/4"	31 3/4"

**Table 3. Unit Dimensions**

**Instructions:**

1. Find the column for the model of outdoor unit that is being installed.
2. Find the row for the model of the indoor unit that is being installed.
3. Find the cell in the table in which this row and column meet. In this cell the appropriate orifice / TXV and charge addition for this match are listed. If the text in this cell is **BOLD**, then a change of orifice is necessary.
4. If a change in restrictor is necessary, then the appropriate restrictor will already be supplied with the outdoor unit.

**Examples:**

- For the \*SA1BD4M1SN30K / B4VM-X30K-B match, the appropriate TXV is the 669565 and 36 ounces of charge will need to be added. (CHANGE IN CHARGE)
- For the \*SA1BD4M1SN24K / B6EMMX24K-B match, the appropriate TXV is the 669564 and no additional charge needs to be added. (NO CHANGES ARE NECESSARY)

MODEL NUMBER: *SA1BD4M1SN		18K	24K	30K	36K	42K	48K	60K
ID RESTRICTOR SUPPLIED WITH OD UNIT:		0.048	0.056	0.060, 0.061	0.065, 0.067	0.071, 0.072	0.076, 0.077	
OUTDOOR UNIT BOM CHARGE (OZ.)		40.4	41	40	41	59	60	69.6
MODELS	SUPPLIED WITH ID	REQUIRED RESTRICTOR OR TXV (CHARGE ADDITION (OZ) / RATED AIRFLOW (SCFM))						
<b>B4VM</b>								
B4VM-X24K-A	669564	669564 (30 / 550)	669564 (29 / 700)	--	--	--	--	--
B4VM-X24K-B	669564	669564 (30 / 550)	669564 (29 / 700)	--	--	--	--	--
B4VM-X30K-A	669565	--	--	669565 (36 / 950)	--	--	--	--
B4VM-X30K-B	669565	--	--	669565 (36 / 950)	--	--	--	--
B4VM-X36K-B	669566	--	--	--	669566 (31 / 950)	--	--	--
B4VM-X48K-B	669568	--	--	--	--	669568 (34 / 1250)	--	--
B4VM-X48K-C	669568	--	--	--	--	669568 (34 / 1250)	669568 (36 / 1400)	--
B4VM-X60K-C	669578	--	--	--	--	--	--	669578 (36 / 1600)
<b>GB5BM-0</b>								
GB5BM-024K-A	0.055	<b>0.048</b> (30 / 675)	0.055 (29 / 700)	--	--	--	--	--
GB5BM-024K-B	0.055	<b>0.048</b> (30 / 675)	0.055 (29 / 700)	--	--	--	--	--
GB5BM-030K-A	0.065	--	--	0.065 (36 / 950)	--	--	--	--
GB5BM-030K-B	0.065	--	--	0.065 (36 / 950)	--	--	--	--
GB5BM-036K-B	0.073	--	--	--	0.073 (31 / 950)	--	--	--
GB5BM-042K-B	0.077	--	--	--	--	0.077 (34 / 1250)	--	--
GB5BM-048K-C	0.080	--	--	--	--	--	0.080 (36 / 1400)	--
GB5BM-060K-C	0.089	--	--	--	--	--	--	0.089 (36 / 1600)

**NOTES:**

- The charges listed are only valid for the standard 15' lineset.
- Numbers listed as 0.\*\*\* are restrictor diameters, while numbers listed as 669\*\*\* are TXV part numbers.

**Table 4. Restrictor or TXV / Charge Addition (Oz)**

THE CHARGE ADDITIONS PROVIDED IN THIS DOCUMENT ARE ESTIMATES BASED ON TEST DATA AND SHOULD ONLY BE A STARTING POINT. AFTER FOLLOWING THESE DIRECTIONS PLEASE ADJUST THE REFRIGERANT AMOUNT BASED ON THE APPROPRIATE CHARGING TABLES OR CHARTS IN THE INSTALLATION INSTRUCTIONS OR CHARGING LABEL.

**Instructions:**

1. Find the column for the model of outdoor unit that is being installed.
2. Find the row for the model of the indoor unit that is being installed.
3. Find the cell in the table in which this row and column meet. In this cell the appropriate orifice / TXV and charge addition for this match are listed. If the text in this cell is **BOLD**, then a change of orifice is necessary.
4. If a change in restrictor is necessary, then the appropriate restrictor will already be supplied with the outdoor unit.

**Examples:**

- For the \*SA1BD4M1SN30K / B4VM-X30K-B match, the appropriate TXV is the 669565 and 36 ounces of charge will need to be added. (CHANGE IN CHARGE)
- For the \*SA1BD4M1SN24K / B6EMMX24K-B match, the appropriate TXV is the 669564 and no additional charge needs to be added. (NO CHANGES ARE NECESSARY)

MODEL NUMBER: *SA1BD4M1SN		18K	24K	30K	36K	42K	48K	60K
ID RESTRICTOR SUPPLIED WITH OD UNIT:		0.048	0.056	0.060, 0.061	0.065, 0.067	0.071, 0.072	0.076, 0.077	0.087
OUTDOOR UNIT BOM CHARGE (OZ.)		40.4	41	40	41	59	60	69.6
MODELS	SUPPLIED WITH ID	REQUIRED RESTRICTOR OR TXV (CHARGE ADDITION (OZ) / RATED AIRFLOW (SCFM))						
<b>GB5BMM</b>								
GB5BMM024K-A	0.055	<b>0.048</b> (0 / 555)	0.055 (3 / 700)	--	--	--	--	--
GB5BMM024K-B	0.055	<b>0.048</b> (0 / 550)	0.055 (3 / 720)	--	--	--	--	--
GB5BMM030K-A	0.062	--	--	<b>0.060</b> (8 / 920)	--	--	--	--
GB5BMM030K-B	0.062	--	--	<b>0.060</b> (8 / 890)	--	--	--	--
GB5BMM036K-B	0.067	--	--	--	<b>0.065</b> (15 / 1160)	--	--	--
GB5BMM042K-B	0.074	--	--	--	--	<b>0.072</b> (0 / 1370)	--	--
GB5BMM048K-B	0.079	--	--	--	--	--	0.079 (2 / 1355)	--
GB5BMM048K-C	0.079	--	--	--	--	--	0.079 (2 / 1630)	--
GB5BMM060K-C	0.087	--	--	--	--	--	--	0.087 (0 / 1950)
<b>B5BM-X</b>								
B5B(M,V)-X24K-A	669564	669564 (30 / 675)	669564 (29 / 700)	--	--	--	--	--
B5B(M,V)-X24K-B	669564	669564 (30 / 675)	669564 (29 / 700)	--	--	--	--	--
B5B(M,V)-X30K-A	669565	--	--	669565 (36 / 950)	--	--	--	--
B5B(M,V)-X30K-B	669565	--	--	669565 (36 / 950)	--	--	--	--
B5B(M,V)-X36K-B	669566	--	--	--	669566 (31 / 950)	--	--	--
B5B(M,V)-X42K-B	669567	--	--	--	--	669567 (34 / 1250)	--	--
B5B(M,V)-X48K-B	669568	--	--	--	--	--	669568 (36 / 1400)	--
B5B(M,V)-X48K-C	669568	--	--	--	--	--	669568 (36 / 1400)	--
B5B(M,V)-X60K-C	669578	--	--	--	--	--	--	669578 (36 / 1600)
<b>B5BW</b>								
GB5BW-030K(*)	0.063†	<b>0.050</b> (30 / 660)	<b>0.057</b> (29 / 675)	0.063 (36 / 760)	--	--	--	--

**NOTES:**

- The charges listed are only valid for the standard 15' lineset.
- Numbers listed as 0.\*\*\* are restrictor diameters, while numbers listed as 669\*\*\* are TXV part numbers.
- † The GB5BW-030K unit is supplied with extra 0.050, 0.057, and 0.065 restrictors.

**Table 4. Restrictor or TXV / Charge Addition (Oz) - Continued**

THE CHARGE ADDITIONS PROVIDED IN THIS DOCUMENT ARE ESTIMATES BASED ON TEST DATA AND SHOULD ONLY BE A STARTING POINT. AFTER FOLLOWING THESE DIRECTIONS PLEASE ADJUST THE REFRIGERANT AMOUNT BASED ON THE APPROPRIATE CHARGING TABLES OR CHARTS IN THE INSTALLATION INSTRUCTIONS OR CHARGING LABEL.

**Instructions:**

1. Find the column for the model of outdoor unit that is being installed.
2. Find the row for the model of the indoor unit that is being installed.
3. Find the cell in the table in which this row and column meet. In this cell the appropriate orifice / TXV and charge addition for this match are listed. If the text in this cell is BOLD, then a change of orifice is necessary.
4. If a change in restrictor is necessary, then the appropriate restrictor will already be supplied with the outdoor unit.

**Examples:**

- For the \*SA1BD4M1SN30K / B4VM-X30K-B match, the appropriate TXV is the 669565 and 36 ounces of charge will need to be added. (CHANGE IN CHARGE)
- For the \*SA1BD4M1SN24K / B6EMMX24K-B match, the appropriate TXV is the 669564 and no additional charge needs to be added. (NO CHANGES ARE NECESSARY)

MODEL NUMBER: *SA1BD4M1SN		18K	24K	30K	36K	42K	48K	60K
ID RESTRICTOR SUPPLIED WITH OD UNIT:		0.048	0.056	0.060, 0.061	0.065, 0.067	0.071, 0.072	0.076, 0.077	0.087
OUTDOOR UNIT BOM CHARGE (OZ.)		40.4	41	40	41	59	60	69.6
MODELS	SUPPLIED WITH ID	REQUIRED RESTRICTOR OR TXV (CHARGE ADDITION (OZ) / RATED AIRFLOW (SCFM))						
<b>B6BMM0</b>								
B6BMM024K-A	0.055	<b>0.048</b> (0 / 555)	0.055 (3 / 700)	--	--	--	--	--
B6BMM024K-B	0.055	<b>0.048</b> (0 / 550)	0.055 (3 / 720)	--	--	--	--	--
B6BMM030K-A	0.062	--	--	<b>0.060</b> (8 / 920)	--	--	--	--
B6BMM030K-B	0.062	--	--	<b>0.060</b> (8 / 890)	--	--	--	--
B6BMM036K-B	0.067	--	--	--	<b>0.065</b> (15 / 1160)	--	--	--
B6BMM042K-B	0.074	--	--	--	--	<b>0.072</b> (0 / 1370)	--	--
B6BMM048K-B	0.079	--	--	--	--	--	0.079 (2 / 1355)	--
B6BMM048K-C	0.079	--	--	--	--	--	0.079 (2 / 1630)	--
B6BMM060K-C	0.087	--	--	--	--	--	--	0.087 (0 / 1950)
<b>B6BMMX</b>								
B6BMMX24K-A	669564	669564 (0 / 670)	669564 (0 / 740)	--	--	--	--	--
B6BMMX24K-B	669564	669564 (0 / 530)	669564 (0 / 690)	--	--	--	--	--
B6BMMX30K-A	669565	--	--	669565 (2 / 960)	--	--	--	--
B6BMMX30K-B	669565	--	--	669565 (2 / 910)	--	--	--	--
B6BMMX36K-B	669566	--	--	--	669566 (6 / 1155)	--	--	--
B6BMMX42K-B	669567	--	--	--	--	669567 (4 / 1265)	--	--
B6BMMX48K-C	669568	--	--	--	--	--	669568 (3 / 1430)	--
B6BMMX60K-C	669578	--	--	--	--	--	--	669578 (0 / 1605)

**NOTES:**

- The charges listed are only valid for the standard 15' lineset.
- Numbers listed as 0.\*\*\* are restrictor diameters, while numbers listed as 669\*\*\* are TXV part numbers.

**Table 4. Restrictor or TXV / Charge Addition (Oz) - Continued**

THE CHARGE ADDITIONS PROVIDED IN THIS DOCUMENT ARE ESTIMATES BASED ON TEST DATA AND SHOULD ONLY BE A STARTING POINT. AFTER FOLLOWING THESE DIRECTIONS PLEASE ADJUST THE REFRIGERANT AMOUNT BASED ON THE APPROPRIATE CHARGING TABLES OR CHARTS IN THE INSTALLATION INSTRUCTIONS OR CHARGING LABEL.

**Instructions:**

1. Find the column for the model of outdoor unit that is being installed.
2. Find the row for the model of the indoor unit that is being installed.
3. Find the cell in the table in which this row and column meet. In this cell the appropriate orifice / TXV and charge addition for this match are listed. If the text in this cell is **BOLD**, then a change of orifice is necessary.
4. If a change in restrictor is necessary, then the appropriate restrictor will already be supplied with the outdoor unit.

**Examples:**

- For the \*SA1BD4M1SN30K / B4VM-X30K-B match, the appropriate TXV is the 669565 and 36 ounces of charge will need to be added. (CHANGE IN CHARGE)
- For the \*SA1BD4M1SN24K / B6EMMX24K-B match, the appropriate TXV is the 669564 and no additional charge needs to be added. (NO CHANGES ARE NECESSARY)

MODEL NUMBER: *SA1BD4M1SN		18K	24K	30K	36K	42K	48K	60K
ID RESTRICTOR SUPPLIED WITH OD UNIT:		<b>0.048</b>	<b>0.056</b>	<b>0.060, 0.061</b>	<b>0.065, 0.067</b>	<b>0.071, 0.072</b>	<b>0.076, 0.077</b>	<b>0.087</b>
OUTDOOR UNIT BOM CHARGE (OZ.)		<b>40.4</b>	<b>41</b>	<b>40</b>	<b>41</b>	<b>59</b>	<b>60</b>	<b>69.6</b>
MODELS	SUPPLIED WITH ID	REQUIRED RESTRICTOR OR TXV (CHARGE ADDITION (OZ) / RATED AIRFLOW (SCFM))						
<b>B6BM-X</b>								
B6BM-X24K-A	669564	669564 (30 / 675)	669564 (29 / 825)	--	--	--	--	--
B6BM-X24K-B	669564	669564 (30 / 650)	669564 (28 / 800)	--	--	--	--	--
B6BM-X30K-A	669565	--	--	669565 (36 / 950)	--	--	--	--
B6BM-X30K-B	669565	--	669565 (29 / 700)	669565 (36 / 950)	--	--	--	--
B6BM-X36K-B	669566	--	--	--	669566 (40 / 1145)	--	--	--
B6BM-X42K-B	669567	--	--	--	--	669567 (34 / 1250)	--	--
B6BM-X48K-C	669568	--	--	--	--	--	669568 (34 / 1585)	--
B6BM-X60K-C	669578	--	--	--	--	--	--	669578 (36 / 1600)
<b>B6BW</b>								
B6BW-018K(*)	0.048	0.048 (0 / 600)	--	--	--	--	--	--
B6BW-024K(*)	0.057	--	0.057 (3 / 800)	--	--	--	--	--
B6BW-030K(*)	0.060	--	--	0.060 (8 / 950)	--	--	--	--
B6BW-036K(*)	0.069	--	--	--	<b>0.067 (0 / 1100)</b>	--	--	--
<b>B6EW</b>								
B6EW-X18K	669564	669564 (9 / 640)	--	--	--	--	--	--
B6EW-X24K	669564	--	669564 (5 / 800)	--	--	--	--	--
B6EW-X30K	669565	--	--	669565 (13 / 905)	--	--	--	--
B6EW-X36K	669566	--	--	--	669566 (13 / 1200)	--	--	--

**NOTES:**

- The charges listed are only valid for the standard 15' lineset.
- Numbers listed as 0.\*\*\* are restrictor diameters, while numbers listed as 669\*\*\* are TXV part numbers.

**Table 4. Restrictor or TXV / Charge Addition (Oz) - Continued**

**THE CHARGE ADDITIONS PROVIDED IN THIS DOCUMENT ARE ESTIMATES BASED ON TEST DATA AND SHOULD ONLY BE A STARTING POINT. AFTER FOLLOWING THESE DIRECTIONS PLEASE ADJUST THE REFRIGERANT AMOUNT BASED ON THE APPROPRIATE CHARGING TABLES OR CHARTS IN THE INSTALLATION INSTRUCTIONS OR CHARGING LABEL.**

**Instructions:**

1. Find the column for the model of outdoor unit that is being installed.
2. Find the row for the model of the indoor unit that is being installed.
3. Find the cell in the table in which this row and column meet. In this cell the appropriate orifice / TXV and charge addition for this match are listed. If the text in this cell is **BOLD**, then a change of orifice is necessary.
4. If a change in restrictor is necessary, then the appropriate restrictor will already be supplied with the outdoor unit.

**Examples:**

- For the \*SA1BD4M1SN30K / B4VM-X30K-B match, the appropriate TXV is the 669565 and 36 ounces of charge will need to be added. (CHANGE IN CHARGE)
- For the \*SA1BD4M1SN24K / B6EMMX24K-B match, the appropriate TXV is the 669564 and no additional charge needs to be added. (NO CHANGES ARE NECESSARY)

MODEL NUMBER: *SA1BD4M1SN		18K	24K	30K	36K	42K	48K	60K
ID RESTRICTOR SUPPLIED WITH OD UNIT:		0.048	0.056	0.060, 0.061	0.065, 0.067	0.071, 0.072	0.076, 0.077	0.087
OUTDOOR UNIT BOM CHARGE (OZ.)		40.4	41	40	41	59	60	69.6
MODELS	SUPPLIED WITH ID	REQUIRED RESTRICTOR OR TXV (CHARGE ADDITION (OZ) / RATED AIRFLOW (SCFM))						
<b>B6EM</b>								
B6EMMX24K-A	669564	669564 (0 / 670)	669564 (0 / 740)	--	--	--	--	--
B6EMMX24K-B	669564	669564 (0 / 530)	669564 (0 / 690)	--	--	--	--	--
B6EMMX30K-A	669565	--	--	669565 (2 / 960)	--	--	--	--
B6EMMX30K-B	669565	--	--	669565 (2 / 910)	--	--	--	--
B6EMMX36K-B	669566	--	--	--	669566 (6 / 1155)	--	--	--
B6EMMX42K-B	669567	--	--	--	--	669567 (4 / 1265)	--	--
B6EMMX48K-C	669852	--	--	--	--	669852 (5 / 1465)	669852 (3 / 1430)	--
B6EMMX60K-C	669578	--	--	--	--	--	--	669578 (0 / 1605)
<b>B6VM</b>								
B6VMAX24K-A	669564	669564 (30 / 550)	669564 (29 / 700)	--	--	--	--	--
B6VMAX24K-B	669564	669564 (30 / 525)	669564 (29 / 700)	--	--	--	--	--
B6VMAX30K-A	669565	--	--	669565 (36 / 950)	--	--	--	--
B6VMAX30K-B	669565	--	669565 (29 / 700)	669565 (36 / 950)	--	--	--	--
B6VMAX36K-B	669566	--	--	--	669566 (31 / 1100)	--	--	--
B6VMAX42K-B	669567	--	--	--	--	669567 (34 / 1250)	--	--
B6VMAX48K-C	669568	--	--	--	--	669568 (34 / 1250)	669568 (36 / 1400)	--
B6VMAX60K-C	669578	--	--	--	--	--	--	669578 (36 / 1600)
<b>B6VMMX</b>								
B6VMMX24K-A	669564	669564 (0 / 670)	669564 (0 / 740)	--	--	--	--	--
B6VMMX24K-B	669564	669564 (0 / 530)	669564 (0 / 690)	--	--	--	--	--
B6VMMX30K-A	669565	--	--	669565 (2 / 960)	--	--	--	--
B6VMMX30K-B	669565	--	--	669565 (2 / 910)	--	--	--	--
B6VMMX36K-B	669566	--	--	--	669566 (6 / 1155)	--	--	--
B6VMMX42K-B	669567	--	--	--	--	669567 (4 / 1265)	--	--
B6VMMX48K-C	669568	--	--	--	--	669568 (5 / 1465)	669568 (3 / 1430)	--
B6VMMX60K-C	669578	--	--	--	--	--	--	669578 (0 / 1605)

**NOTES:**

- The charges listed are only valid for the standard 15' lineset.
- Numbers listed as 0.\*\*\* are restrictor diameters, while numbers listed as 669\*\*\* are TXV part numbers.

**Table 4. Restrictor or TXV / Charge Addition (Oz) - Continued**

THE CHARGE ADDITIONS PROVIDED IN THIS DOCUMENT ARE ESTIMATES BASED ON TEST DATA AND SHOULD ONLY BE A STARTING POINT. AFTER FOLLOWING THESE DIRECTIONS PLEASE ADJUST THE REFRIGERANT AMOUNT BASED ON THE APPROPRIATE CHARGING TABLES OR CHARTS IN THE INSTALLATION INSTRUCTIONS OR CHARGING LABEL.

**Instructions:**

1. Find the column for the model of outdoor unit that is being installed.
2. Find the row for the model of the indoor unit that is being installed.
3. Find the cell in the table in which this row and column meet. In this cell the appropriate orifice / TXV and charge addition for this match are listed. If the text in this cell is **BOLD**, then a change of orifice is necessary.
4. If a change in restrictor is necessary, then the appropriate restrictor will already be supplied with the outdoor unit.

**Examples:**

- For the \*S4BD-30K / B4VM-X30K-B match, the appropriate TXV is the 669565 and 36 ounces of charge will need to be added. (CHANGE IN CHARGE)
- For the \*S4BD-24K / B6EMMX24K-B match, the appropriate TXV is the 669564 and no additional charge needs to be added. (NO CHANGES ARE NECESSARY)

MODEL NUMBER: *SA1BD4M1SN		18K	24K	30K	36K	42K	48K	60K
ID RESTRICTOR SUPPLIED WITH OD UNIT:		<b>0.048</b>	<b>0.056</b>	<b>0.060, 0.061</b>	<b>0.065, 0.067</b>	<b>0.071, 0.072</b>	<b>0.076, 0.077</b>	<b>0.087</b>
OUTDOOR UNIT BOM CHARGE (OZ.)		<b>40.4</b>	<b>41</b>	<b>40</b>	<b>41</b>	<b>59</b>	<b>60</b>	<b>69.6</b>
MODELS	SUPPLIED WITH ID	REQUIRED RESTRICTOR OR TXV (CHARGE ADDITION (OZ) / RATED AIRFLOW (SCFM))						
<b>C6</b>								
C6B(A,H)-X24(C,U)-A	669564	669564 (30 / 530)	669564 (29 / 700)	--	--	--	--	--
C6B(A,H)-X24(C,U)-B	669681	669681 (30 / 600)	669681 (29 / 700)	--	--	--	--	--
C6B(A,H)-X30(C,U)-A	669565	--	--	669565 (36 / 950)	--	--	--	--
C6B(A,H)-X30(C,U)-B	669682	--	--	669682 (36 / 950)	--	--	--	--
C6B(A,H)-X30(C,U)-C	669682	--	--	669682 (36 / 1000)	--	--	--	--
C6B(A,H)-X35(C,U)-A	669566	--	--	--	669566 (31 / 950)	--	--	--
C6B(A,H)-X35(C,U)-B	669683	--	--	--	669683 (31 / 950)	--	--	--
C6B(A,H)-X36(C,U)-B	669683	--	--	--	669683 (31 / 1100)	--	--	--
C6B(A,H)-X36(C,U)-C	669683	--	--	--	669683 (31 / 1100)	--	--	--
C6B(A,H)-X42(C,U)-B	669684	--	--	--	--	669684 (34 / 1250)	--	--
C6B(A,H)-X42(C,U)-C	669684	--	--	--	--	669684 (34 / 1250)	--	--
C6B(A,H)-X42(C,U)-D	669684	--	--	--	--	669684 (34 / 1250)	--	--
C6B(A,H)-X47(C,U)-C	669852	--	--	--	--	--	669852 (36 / 1600)	--
C6B(A,H)-X48(C,U)-C	669852	--	--	--	--	--	669852 (36 / 1600)	--
C6B(A,H)-X48(C,U)-D	669852	--	--	--	--	--	669852 (36 / 1600)	--
C6B(A,H)-X60(C,U)-C	669686	--	--	--	--	--	--	669686 (36 / 1600)
C6B(A,H)-X60(C,U)-D	669686	--	--	--	--	--	--	669686 (36 / 1600)

**NOTES:**

- The charges listed are only valid for the standard 15' lineset.
- Numbers listed as 0.\*\*\* are restrictor diameters, while numbers listed as 669\*\*\* are TXV part numbers.

**Table 4. Restrictor or TXV / Charge Addition (Oz) - Continued**

**THE CHARGE ADDITIONS PROVIDED IN THIS DOCUMENT ARE ESTIMATES BASED ON TEST DATA AND SHOULD ONLY BE A STARTING POINT. AFTER FOLLOWING THESE DIRECTIONS PLEASE ADJUST THE REFRIGERANT AMOUNT BASED ON THE APPROPRIATE CHARGING TABLES OR CHARTS IN THE INSTALLATION INSTRUCTIONS OR CHARGING LABEL.**

MODEL NUMBER: *SA1BD4M1SN		18K	24K	30K	36K	42K	48K	60K
ID RESTRICTOR SUPPLIED WITH OD UNIT:		0.048	0.056	0.060, 0.061	0.065, 0.067	0.071, 0.072	0.076, 0.077	0.087
OUTDOOR UNIT BOM CHARGE (OZ.)		40.4	41	40	41	59	60	69.6
MODELS	SUPPLIED WITH ID	REQUIRED RESTRICTOR OR TXV (CHARGE ADDITION (OZ) / RATED AIRFLOW (SCFM))						
<b>C7-0</b>								
C7B(A,H)M01824(C,U)-A	0.048	0.048 (0 / 605)	<b>0.056</b> (0 / 700)	--	--	--	--	--
C7B(A,H)M01824(C,U)-B	0.055	<b>0.048</b> (0 / 535)	0.055 (5 / 700)	--	--	--	--	--
C7B(A,H)M030(C,U)-C	0.061	--	--	0.061 (0 / 960)	--	--	--	--
C7B(A,H)M03036(C,U)-A	0.061	--	--	0.061 (0 / 960)	<b>0.067</b> (10 / 1055)	--	--	--
C7B(A,H)M03036(C,U)-B	0.067	--	--	<b>0.061</b> (0 / 960)	0.067 (10 / 1055)	--	--	--
C7B(A,H)M03642(C,U)-B	0.071	--	--	--	<b>0.067</b> (10 / 1055)	0.071 (7 / 1290)	--	--
C7B(A,H)M03648(C,U)-C	0.067	--	--	--	0.067 (10 / 1055)	<b>0.071</b> (7 / 1290)	<b>0.076</b> (0 / 1415)	--
C7B(A,H)M042(C,U)-D	0.071	--	--	--	--	0.071 (7 / 1290)	--	--
C7B(A,H)M048(C,U)-C	0.077	--	--	--	--	--	0.077 (6 / 1305)	--
C7B(A,H)M048(C,U)-D	0.077	--	--	--	--	--	0.077 (6 / 1305)	--
C7B(A,H)M060(C,U)-C	0.083	--	--	--	--	--	--	0.083 (12 / 1445)
C7B(A,H)M060(C,U)-D	0.083	--	--	--	--	--	--	0.083 (12 / 1445)
<b>C7-X</b>								
C7B(A,H)MX24(C,U)-A	669681	669681 (0 / 650)	669681 (0 / 695)	--	--	--	--	--
C7B(A,H)MX24(C,U)-B	669681	669681 (0 / 530)	669681 (0 / 700)	--	--	--	--	--
C7B(A,H)MX30(C,U)-A	669682	--	--	669682 (0 / 955)	--	--	--	--
C7B(A,H)MX30(C,U)-B	669682	--	--	669682 (0 / 955)	--	--	--	--
C7B(A,H)MX30(C,U)-C	669682	--	--	669682 (0 / 970)	--	--	--	--
C7B(A,H)MX36(C,U)-B	669683	--	--	--	669683 (0 / 1100)	--	--	--
C7B(A,H)MX36(C,U)-C	669683	--	--	--	669683 (0 / 1100)	--	--	--
C7B(A,H)MX42(C,U)-B	669684	--	--	--	--	669684 (5 / 1245)	--	--
C7B(A,H)MX42(C,U)-C	669684	--	--	--	--	669684 (5 / 1245)	--	--
C7B(A,H)MX48(C,U)-C	669852	--	--	--	--	--	669852 (0 / 1400)	--
C7B(A,H)MX48(C,U)-D	669852	--	--	--	--	--	669852 (0 / 1400)	--
C7B(A,H)MX60(C,U)-C	669686	--	--	--	--	--	--	669686 (4 / 1695)
C7B(A,H)MX60(C,U)-D	669686	--	--	--	--	--	--	669686 (4 / 1695)

ID RESTRICTOR INSTALLED WITH ID UNIT

**NOTES:**

- The charges listed are only valid for the standard 15' lineset.
- Numbers listed as 0.\*\*\* are restrictor diameters, while numbers listed as 669\*\*\* are TXV part numbers.

**THE CHARGE ADDITIONS PROVIDED IN THIS DOCUMENT ARE ESTIMATES BASED ON TEST DATA AND SHOULD ONLY BE A STARTING POINT. AFTER FOLLOWING THESE DIRECTIONS PLEASE ADJUST THE REFRIGERANT AMOUNT BASED ON THE APPROPRIATE CHARGING TABLES OR CHARTS IN THE INSTALLATION INSTRUCTIONS OR CHARGING LABEL.**

**Table 4. Restrictor or TXV / Charge Addition (Oz) - Continued**

